



ENCLOSURE



OUR COMPANY PROFILE

Raychem RPG (P) Ltd., incorporated in 1989, is a 50:50 joint Venture between TE Connectivity, U.S.A. (formerly Tyco Electronics) and RPG Enterprises, India.

TE Connectivity is a US\$13 Billion global provider for solutions in Network, Transportation, Consumers and Industrial for over 50 years.

RPG Enterprises, an establishment of over 30 years, is one of India's fastest growing business groups with turnover of US\$ 3 Billion. The group has more than fifteen companies managing diverse business interests in the areas of Automotive Tyres, Infrastructure, IT and Specialty including Pharmaceuticals, Power Ancillaries & Plantations.



The International Business Division (IBD)

The International Business Division (IBD) is one of the strategic business unit operating under the flagship of Raychem RPG (P) Ltd. IBD thrives towards providing customer delight with its ability to provide one stop cable management solutions like Clamping, Enclosures, Cable Glands, Cable lugs and wire connectors, to its varied customer segments like Construction, Oil and Gas, Utilities, Marine and Ship-building etc. The unit is also involved in the providing Earthing and Lighting solutions and Electrical Personnel Protection Equipment.

It's been a decade since IBD has been involved in the manufacturing of Enclosures and since then has continuously followed its goal to become a leading solution provider for all the enclosing requirements, which are suitable for both industrial and hazardous market areas.

The Enclosures are manufactured in aluminium, stainless steel, mild steel and glass reinforced polyester and are suitable for a wide range of industrial and OEM applications. We are well equipped with all the facilities required to modify the standard enclosure as per the customer's requirement. These customised services include machining, painting, silk screen printing and electro-polishing. We are also capable to mould any of the plastic range of enclosures in a wide range of colours (subject to minimum order quantity).





Most of our Enclosures also comply with the IECEx scheme and are certified for the use in Category 2 (Zone 1) and Category 3 (Zone 2) areas for both gas and dust hazards, fulfilling the requirements of ATEX regulation.

In recent years IBD has extended its range of enclosures to cope with ever increasing customer demands and to provide unique solutions to their problems. These solutions include fire rated enclosures (as per BS 6387 - 2013 up to 950°C for 180 minutes) and IP66 enclosures. IBD has provided 15,000 enclosures to some of the ambitious metro projects for the tunnel applications. It has designed a solution that met the rigorous specification laid down by the concerned authorities.



The success of the company has been built on continuous innovation, market leading design, rigorous testing and adherence to quality. With certifications, such as ISO 9001: 2015, ISO 14001: 2015, OHSAS: 18001 : 2007, the company's commitment to quality ensures that safety is never compromised.



We at IBD have adopted a systematic and transparent order management process where in the customer is kept involved and updated of each stage of order execution. Technical support begins long before the order is placed. Our dedicated sales staff based at our

regional offices can offer advice on enclosure type, terminal selection, cable entry placement and any other requirements that might dictate the eventual selection. IBD staff will be pleased to help with any questions you may have.

Our objective is to provide state of the art quality products and services to our clients and make Raychem RPG - IBD globally renowned as one of the best supplier of Enclosures.



CONTENT

A. STANDARD ENCLOSURES

- ALUMINIUM ENCLOSURES 5
- GRP ENCLOSURES 37
- STAINLESS STEEL ENCLOSURES 51
- STEEL ENCLOSURES 71
- FIRE RATED ENCLOSURES 73

B. EX ENCLOSURES

- ALUMINIUM ENCLOSURES 75
- GRP ENCLOSURES 97

ALUMINIUM ENCLOSURES

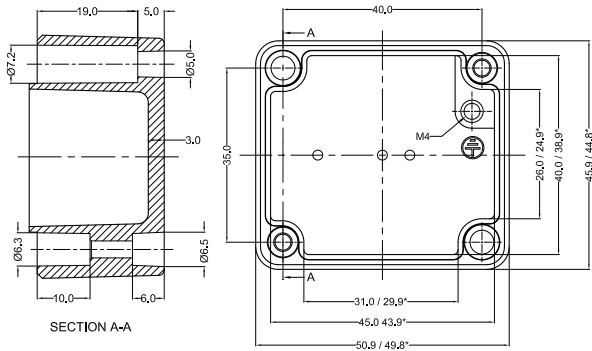
Standard



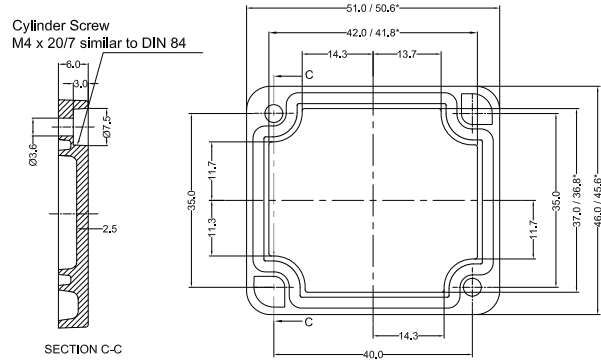
RJ01



BASE



LID



PRODUCT SPECIFICATION

Dim (LxWxH):	50 X 45 X 30
Model No:	RJ01
Order No :	RJ01
Weight (gm):	90

TECHNICAL SPECIFICATION

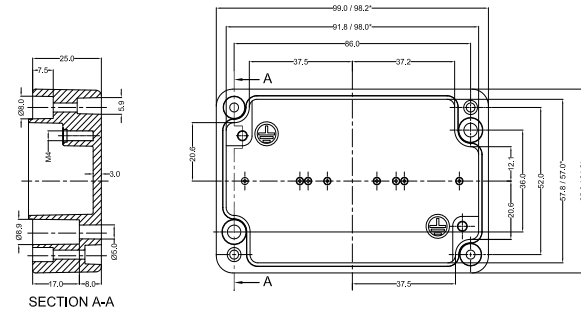
Material:	AISI 12, as per DIN EN 1706
Colour:	RAL 7001, 7031, 7032, 7035, 7038, Black RAL 9004
Protection:	IP66 as per IEC 60529
Gasket:	Neoprene Gasket
Lid Screw:	Stainless Steel 1.4301 (A2), captive - M4
Tightening Torque:	2 to 3 Nm
Impact Strength:	Impact Energy 10 Joules - IK 09 EN 60068-2-75
Service Temperature	-40°C to +100°C
Surface:	Painted / Non - Painted
Components:	Fastening threads M4 in the enclosure bottom
Process Control System	ISO 9001 - 2015, IEC 80079 - 34 - 2011

AVAILABLE ON DEMAND

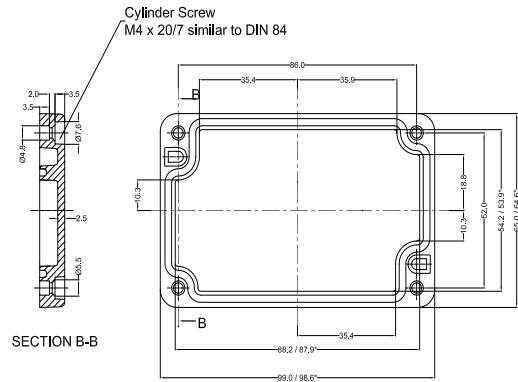
DIN Rail	No
Mounting Plate	No
External Mounting Brackets	No
Gasket	Silicon / Viton / EMC
Protection	IP67 / IP68
Surface	Corrosion Protection / Special Colours
Hinges:	No



BASE



LID



PRODUCT SPECIFICATION

Dim (LxWxH):	98 X 64 X 34
Model No:	RJ02
Order No :	RJ02
Weight (gm):	224

TECHNICAL SPECIFICATION

Material	AlSi 12, as per DIN EN 1706
Colour	RAL 7001, 7031, 7032, 7035, 7038, Black RAL 9004
Protection	IP66 as per IEC 60529
Gasket	Neoprene Gasket
Lid Screw	Stainless Steel 1.4301 (A2), captive - M4
Tightening Torque	2 to 3 Nm
Impact Strength	Impact Energy 10 Joules - IK 09 EN 60068-2-75
Service Temperature	-40°C to +100°C
Surface	Painted / Non - Painted
Components	Fastening threads M4 in the enclosure bottom
Process Control System	ISO 9001 - 2015, IEC 80079 - 34 - 2011

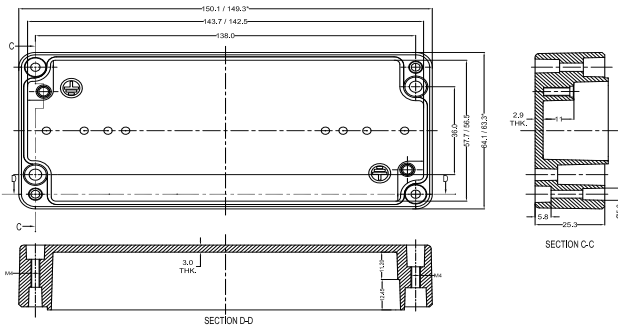
AVAILABLE ON DEMAND

DIN Rail	No
Mounting Plate	No
External Mounting Brackets	No
Gasket	Silicon / Viton / EMC
Protection	IP67 / IP68
Surface	Corrosion Protection / Special Colours
Hinges:	No

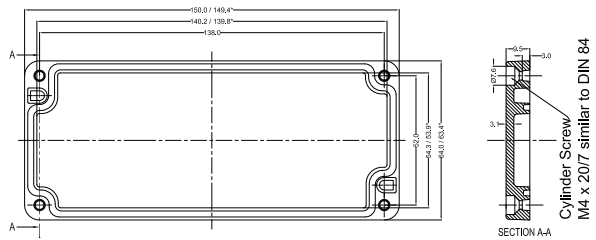
RJ03



BASE



LID



PRODUCT SPECIFICATION

Dim (LxWxH):	150 X 64 X 34
Model No:	RJ03
Order No:	RJ03
Weight (gm):	310

TECHNICAL SPECIFICATION

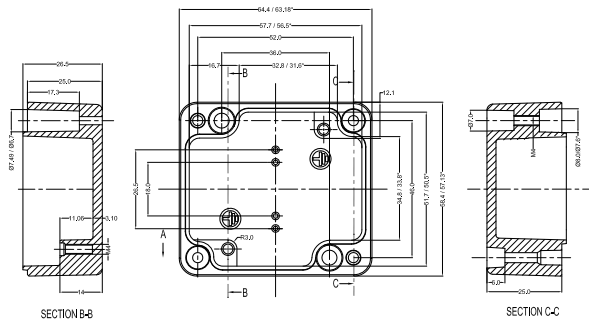
Material	AISI 12, as per DIN EN 1706
Colour	RAL 7001, 7031, 7032, 7035, 7038, Black RAL 9004
Protection	IP66 as per IEC 60529
Gasket	Neoprene Gasket
Lid Screw	Stainless Steel 1.4301 (A2), captive - M4
Tightening Torque:	2 to 3 Nm
Impact Strength	Impact Energy 10 Joules - IK 09 EN 60068-2-75
Service Temperature	-40°C to +100°C
Surface	Painted / Non - Painted
Components	Fastening threads M4 in the enclosure bottom
Process Control System	ISO 9001 - 2015, IEC 80079 - 34 - 2011

AVAILABLE ON DEMAND

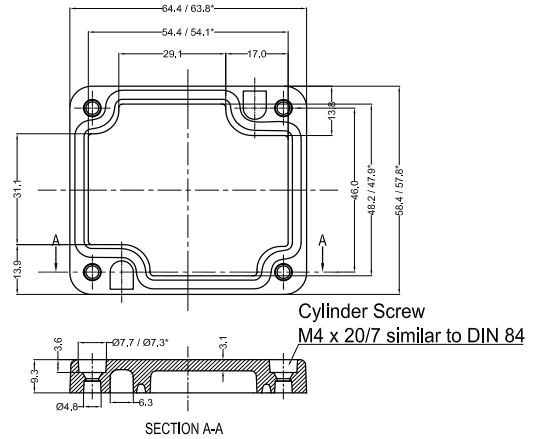
DIN Rail	No
Mounting Plate	No
External Mounting Brackets	No
Gasket	Silicon / Viton / EMC
Protection	IP67 / IP68
Surface	Corrosion Protection / Special Colours
Hinges	No



BASE



LID



PRODUCT SPECIFICATION

Dim (LxWxH):	58 X 64 X 34
Model No:	RJ04
Order No :	RJ04
Weight (gm):	136

TECHNICAL SPECIFICATION

Material	AISI 12, as per DIN EN 1706
Colour	RAL 7001, 7031, 7032, 7035, 7038, Black RAL 9004
Protection	IP66 as per IEC 60529
Gasket	Neoprene Gasket
Lid Screw	Stainless Steel 1.4301 (A2), captive - M4
Tightening Torque	2 to 3 Nm
Impact Strength	Impact Energy 10 Joules - IK 09 EN 60068-2-75
Service Temperature	-40°C to +100°C
Surface	Painted / Non - Painted
Components	Fastening threads M4 in the enclosure bottom
Process Control System	ISO 9001 - 2015, IEC 80079 - 34 - 2011

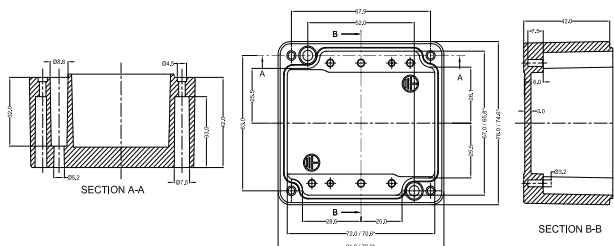
AVAILABLE ON DEMAND

DIN Rail	No
Mounting Plate	No
External Mounting Brackets	No
Gasket	Silicon / Viton / EMC
Protection	IP67 / IP68
Surface	Corrosion Protection / Special Colours
Hinges	No

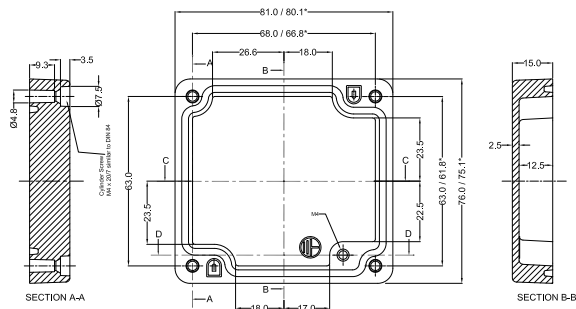
RJ05



BASE



LID



PRODUCT SPECIFICATION

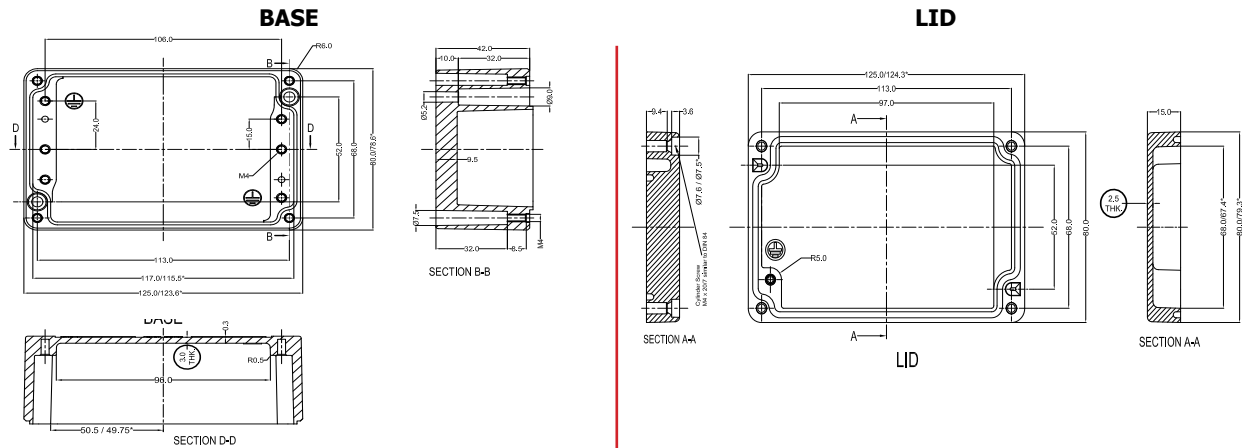
Dim (LxWxH):	75 X 80 X 57
Model No:	RJ05
Order No :	RJ05
Weight (gm):	320

TECHNICAL SPECIFICATION

Material	AISI 12, as per DIN EN 1706
Colour	RAL 7001, 7031, 7032, 7035, 7038, Black RAL 9004
Protection	IP66 as per IEC 60529
Gasket	Neoprene Gasket
Lid Screw	Stainless Steel 1.4301 (A2), captive - M4
Tightening Torque	2 to 3 Nm
Impact Strength:	Impact Energy 10 Joules - IK 09 EN 60068-2-75
Service Temperature	-40°C to +100°C
Surface	Painted / Non - Painted
Components	Fastening threads M4 in the enclosure bottom
Process Control System	ISO 9001 - 2015, IEC 80079 - 34 - 2011

AVAILABLE ON DEMAND

DIN Rail	TS 15
Mounting Plate	Yes
External Mounting Brackets	No
Gasket	Silicon / Viton / EMC
Protection	IP67 / IP68
Surface	Corrosion Protection / Special Colours
Hinges	No



PRODUCT SPECIFICATION	
Dim (LxWxH):	125 X 80 X 57
Model No:	RJ06
Order No :	RJ06
Weight (gm):	419

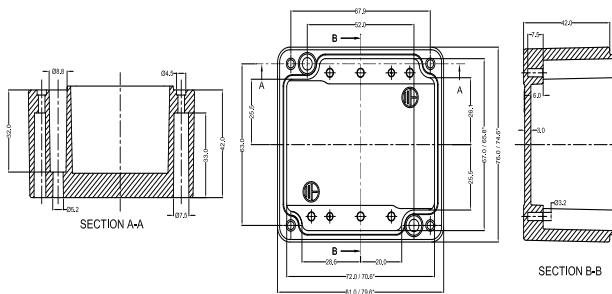
TECHNICAL SPECIFICATION	
Material	AISI 12, as per DIN EN 1706
Colour	RAL 7001, 7031, 7032, 7035, 7038, Black RAL 9004
Protection	IP66 as per IEC 60529
Gasket	Neoprene Gasket
Lid Screw	Stainless Steel 1.4301 (A2), captive - M4
Tightening Torque	2 to 3 Nm
Impact Strength	Impact Energy 10 Joules - IK 09 EN 60068-2-75
Service Temperature	-40°C to +100°C
Surface	Painted / Non - Painted
Components	Fastening threads M4 in the enclosure bottom
Process Control System	ISO 9001 - 2015, IEC 80079 - 34 - 2011

AVAILABLE ON DEMAND	
DIN Rail	TS15
Mounting Plate	Yes
External Mounting Brackets	No
Gasket	Silicon / Viton / EMC
Protection	IP67 / IP68
Surface	Corrosion Protection / Special Colours
Hinges	No

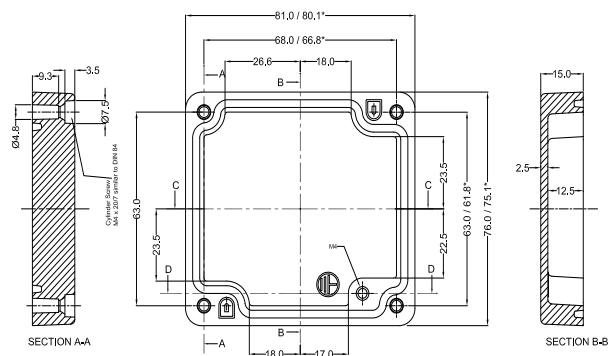
RJ07



BASE



LID



PRODUCT SPECIFICATION

Dim (LxWxH):	175 X 80 X 57
Model No:	RJ07
Order No :	RJ07
Weight (gm):	559

TECHNICAL SPECIFICATION

Material	AISI 12, as per DIN EN 1706
Colour	RAL 7001, 7031, 7032, 7035, 7038, Black RAL 9004
Protection	IP66 as per IEC 60529
Gasket	Neoprene Gasket
Lid Screw	Stainless Steel 1.4301 (A2), captive - M4
Tightening Torque	2 to 3 Nm
Impact Strength	Impact Energy 10 Joules - IK 09 EN 60068-2-75
Service Temperature	-40°C to +100°C
Surface	Painted / Non - Painted
Components	Fastening threads M4 in the enclosure bottom
Process Control System	ISO 9001 - 2015, IEC 80079 - 34 - 2011

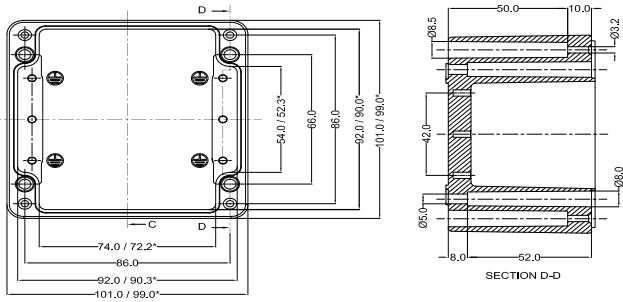
AVAILABLE ON DEMAND

DIN Rail	Yes
Mounting Plate	Yes
External Mounting Brackets	No
Gasket	Silicon / Viton / EMC
Protection	IP67 / IP68
Surface	Corrosion Protection / Special Colours
Hinges	No

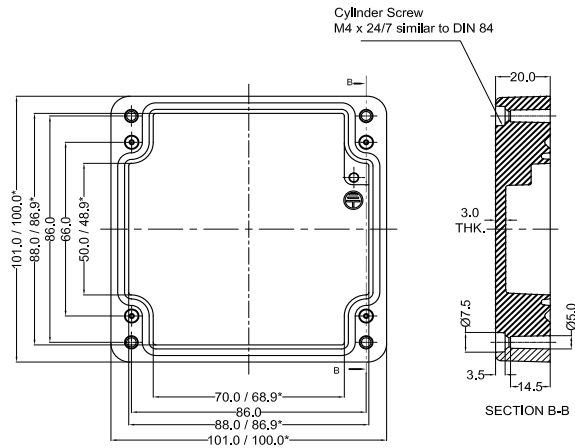
RJ09



BASE



LID



PRODUCT SPECIFICATION

Dim (LxWxH):	100 X 100 X 81
Model No:	RJ09
Order No :	RJ09
Weight (gm):	751

TECHNICAL SPECIFICATION

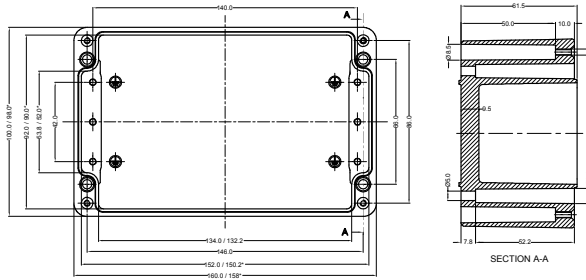
Material	AISI 12, as per DIN EN 1706
Colour	RAL 7001, 7031, 7032, 7035, 7038, Black RAL 9004
Protection	IP66 as per IEC 6052
Gasket	Neoprene Gasket
Lid Screw	Stainless Steel 1.4301 (A2), captive - M4
Tightening Torque	2 to 3 Nm
Impact Strength	Impact Energy 10 Joules - IK 09 EN 60068-2-75
Service Temperature	-40°C to +100°C
Surface	Painted / Non - Painted
Components	Fastening threads M6 in the enclosure bottom
Process Control System	ISO 9001 - 2015, IEC 80079 - 34 - 2011

AVAILABLE ON DEMAND

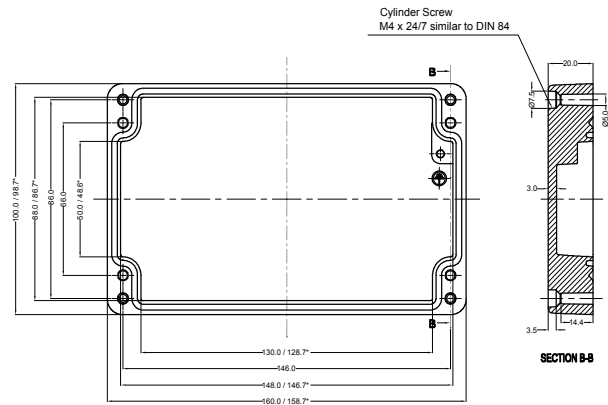
DIN Rail	Yes
Mounting Plate	Yes
External Mounting Brackets	No
Gasket	Silicon / Viton / EMC
Protection	IP67 / IP68
Surface	Corrosion Protection / Special Colours
Hinges	No



BASE



LID



PRODUCT SPECIFICATION

Dim (LxWxH):	160 X 100 X 81
Model No:	RJ10
Order No :	RJ10
Weight (gm):	851

TECHNICAL SPECIFICATION

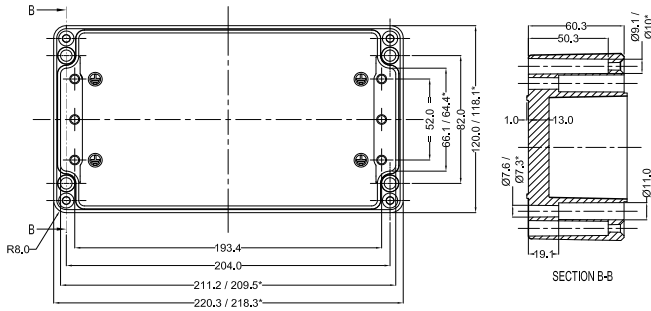
Material	AISI 12, as per DIN EN 1706
Colour	RAL 7001, 7031, 7032, 7035, 7038, Black RAL 9004
Protection	IP66 as per IEC 60529
Gasket	Neoprene Gasket
Lid Screw	Stainless Steel 1.4301 (A2), captive - M4
Tightening Torque	2 to 3 Nm
Impact Strength	Impact Energy 10 Joules - IK 09 EN 60068-2-75
Service Temperature	-40°C to +100°C
Surface:	Painted / Non - Painted
Components:	Fastening threads M6 in the enclosure bottom
Process Control System	ISO 9001 - 2015, IEC 80079 - 34 - 2011

AVAILABLE ON DEMAND

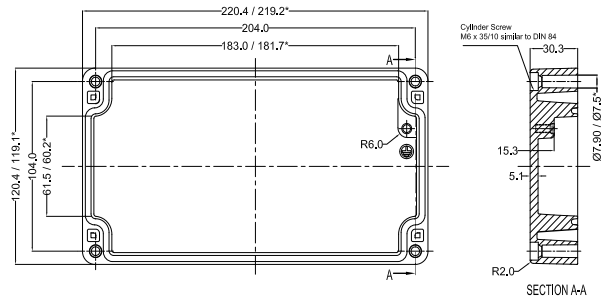
DIN Rail	Yes
Mounting Plate	Yes
External Mounting Brackets	Stainless Steel 1.4301 (A2)
Gasket	Silicon / Viton / EMC
Protection	IP67 / IP68
Surface	Corrosion Protection / Special Colours
Hinges	External



BASE



LID



PRODUCT SPECIFICATION

Dim (LxWxH):	220 X 120 X 90
Model No:	RJ12
Order No :	RJ12
Weight (gm):	1752

TECHNICAL SPECIFICATION

Material	AISI 12, as per DIN EN 1706
Colour	RAL 7001, 7031, 7032, 7035, 7038, Black RAL 9004
Protection	IP66 as per IEC 60529
Gasket	Neoprene Gasket
Lid Screw	Stainless Steel 1.4301 (A2), captive - M6
Tightening Torque	3 to 4 Nm
Impact Strength	Impact Energy 10 Joules - IK 09 EN 60068-2-75
Service Temperature	-40°C to +100°C
Surface	Painted / Non - Painted
Components	Fastening threads M6 in the enclosure bottom
Process Control System	ISO 9001 - 2015, IEC 80079 - 34 - 2011

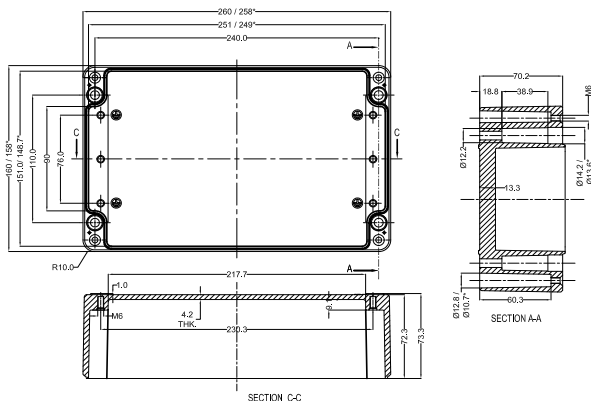
AVAILABLE ON DEMAND

DIN Rail	Yes
Mounting Plate	Yes
External Mounting Brackets	Stainless Steel 1.4301 (A2)
Gasket	Silicon / Viton / EMC
Protection	IP67 / IP68
Surface	Corrosion Protection / Special Colours
Hinges	External

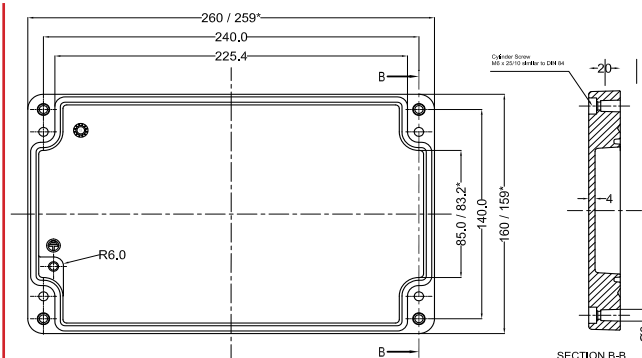
RJ13



BASE



LID



PRODUCT SPECIFICATION

Dim (LxWxH):	260 X 160 X 90
Model No:	RJ13
Order No :	RJ13
Weight (gm):	2100

TECHNICAL SPECIFICATION

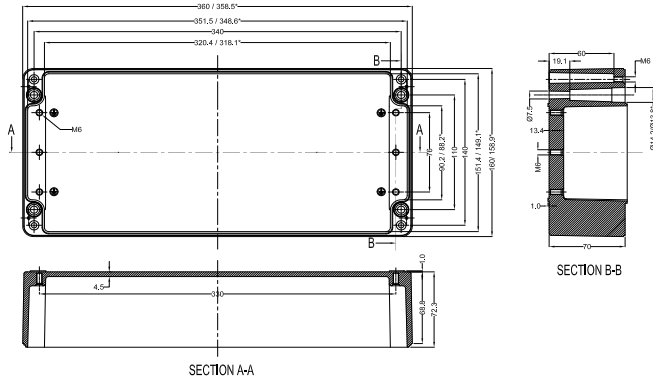
Material:	AISI 12, as per DIN EN 1706
Colour:	RAL 7001, 7031, 7032, 7035, 7038, Black RAL 9004
Protection:	IP66 as per IEC 60529
Gasket:	Neoprene Gasket
Lid Screw:	Stainless Steel 1.4301 (A2), captive - M6
Tightening Torque:	3 to 4 Nm
Impact Strength:	Impact Energy 10 Joules - IK 09 EN 60068-2-75
Service Temperature	-40°C to +100°C
Surface:	Painted / Non - Painted
Components:	Fastening threads M6 in the enclosure bottom
Process Control System	ISO 9001 - 2015, IEC 80079 - 34 - 2011

AVAILABLE ON DEMAND

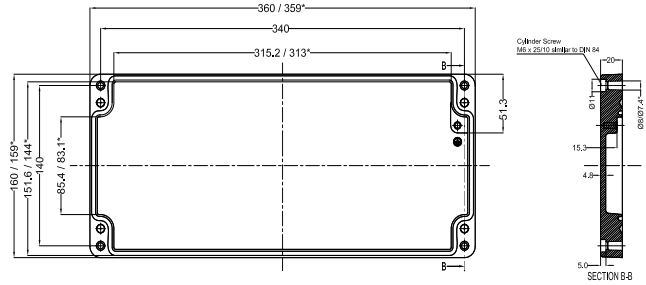
DIN Rail	Yes
Mounting Plate	Yes
External Mounting Brackets	Stainless Steel 1.4301 (A2)
Gasket	Silicon / Viton / EMC
Protection	IP67 / IP68
Surface	Corrosion Protection / Special Colours
Hinges	External / Internal



BASE



LID



PRODUCT SPECIFICATION

Dim (LxWxH):	360 X 160 X 90
Model No:	RJ14
Order No :	RJ14
Weight (gm):	3007

TECHNICAL SPECIFICATION

Material	AISI 12, as per DIN EN 1706
Colour	RAL 7001, 7031, 7032, 7035, 7038, Black RAL 9004
Protection	IP66 as per IEC 60529
Gasket	Neoprene Gasket
Lid Screw	Stainless Steel 1.4301 (A2), captive - M6
Tightening Torque	3 to 4 Nm
Impact Strength	Impact Energy 10 Joules - IK 09 EN 60068-2-75
Service Temperature	-40°C to +100°C
Surface	Painted / Non - Painted
Components	Fastening threads M6 in the enclosure bottom
Process Control System	ISO 9001 - 2015, IEC 80079 - 34 - 2011

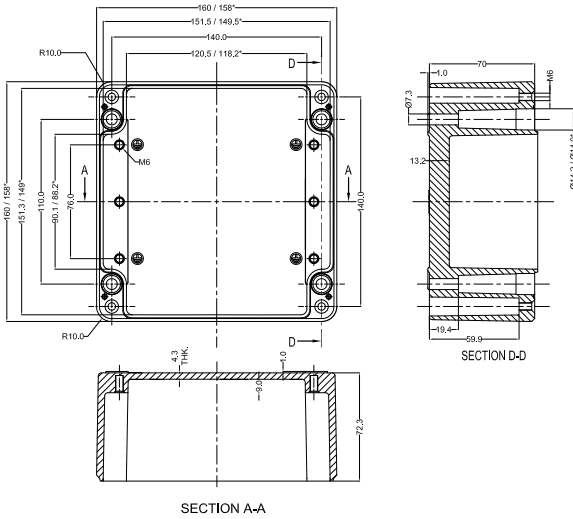
AVAILABLE ON DEMAND

DIN Rail	Yes
Mounting Plate	Yes
External Mounting Brackets	Stainless Steel 1.4301 (A2)
Gasket	Silicon / Viton / EMC
Protection	IP67 / IP68
Surface	Corrosion Protection / Special Colours
Hinges	External

RJ15

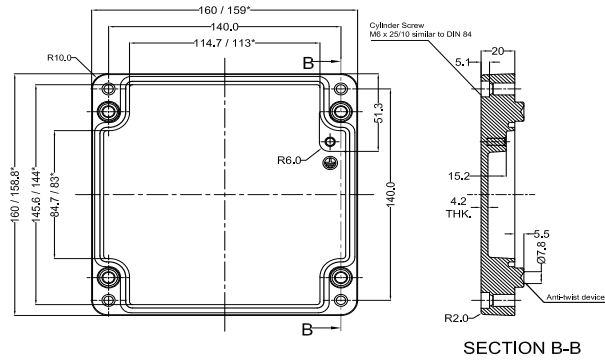


BASE



SECTION A-A

LID



SECTION B-B

PRODUCT SPECIFICATION

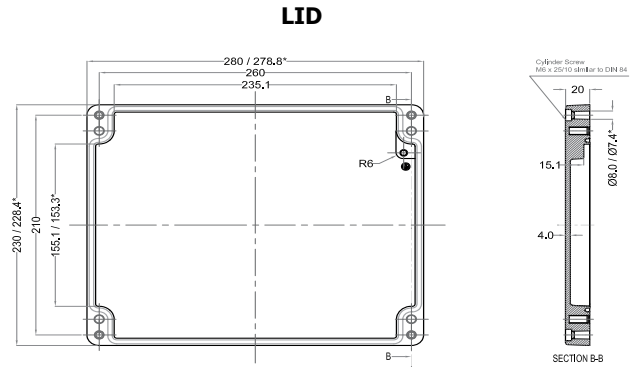
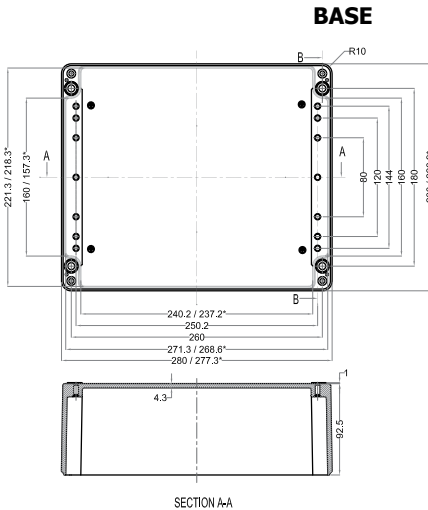
Dim (LxWxH):	160 X 160 X 91
Model No:	RJ15
Order No :	RJ15
Weight (gm):	1538

TECHNICAL SPECIFICATION

Material	AlSi 12, as per DIN EN 1706
Colour	RAL 7001, 7031, 7032, 7035, 7038, Black RAL 9004
Protection	IP66 as per IEC 60529
Gasket	Neoprene Gasket
Lid Screw	Stainless Steel 1.4301 (A2), captive - M6
Tightening Torque	3 to 4 Nm
Impact Strength:	Impact Energy 10 Joules - IK 09 EN 60068-2-75
Service Temperature	-40°C to +100°C
Surface	Painted / Non - Painted
Components	Fastening threads M6 in the enclosure bottom
Process Control System	ISO 9001 - 2015, IEC 80079 - 34 - 2011

AVAILABLE ON DEMAND

DIN Rail	Yes
Mounting Plate	Yes
External Mounting Brackets	Stainless Steel 1.4301 (A2)
Gasket	Silicon / Viton / EMC
Protection	IP67 / IP68
Surface	Corrosion Protection / Special Colours
Hinges	External / Internal



PRODUCT SPECIFICATION	
Dim (LxWxH):	280 X 230 X 110
Model No:	RJ17
Order No :	RJ17
Weight (gm):	3115

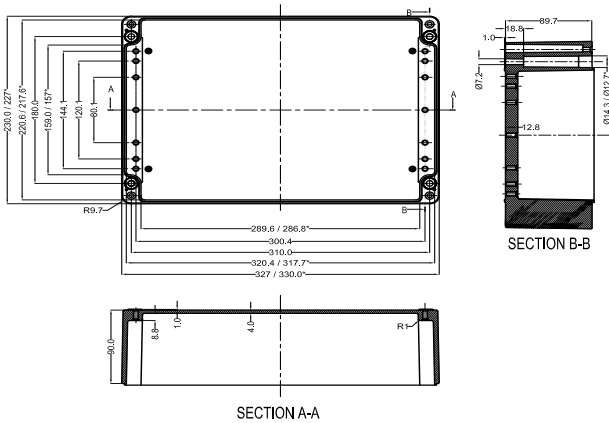
TECHNICAL SPECIFICATION	
Material	AISI 12, as per DIN EN 1706
Colour	RAL 7001, 7031, 7032, 7035, 7038, Black RAL 9004
Protection	IP66 as per IEC 60529
Gasket	Neoprene Gasket
Lid Screw	Stainless Steel 1.4301 (A2), captive - M6
Tightening Torque	3 to 4 Nm
Impact Strength:	Impact Energy 10 Joules - IK 09 EN 60068-2-75
Service Temperature	-40°C to +100°C
Surface	Painted / Non - Painted
Components	Fastening threads M6 in the enclosure bottom
Process Control System	ISO 9001 - 2015, IEC 80079 - 34 - 2011

AVAILABLE ON DEMAND	
DIN Rail	Yes
Mounting Plate	Yes
External Mounting Brackets	Stainless Steel 1.4301 (A2)
Gasket	Silicon / Viton / EMC
Protection	IP67 / IP68
Surface	Corrosion Protection / Special Colours
Hinges	External / Internal

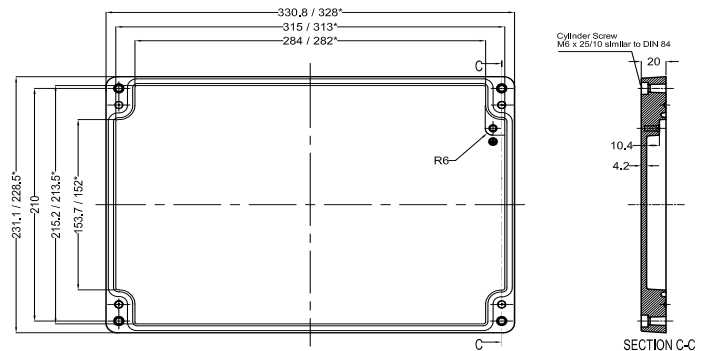
RJ18



BASE



LID



PRODUCT SPECIFICATION

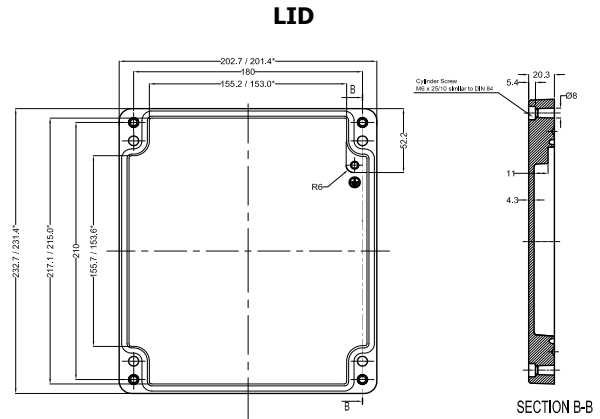
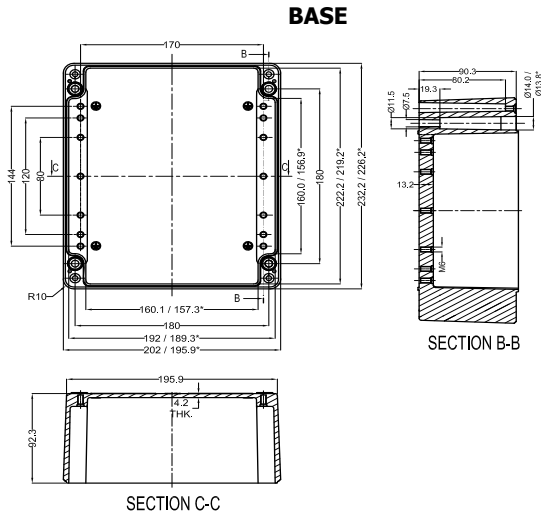
Dim (LxWxH):	330 X 230 X 111
Model No:	RJ18
Order No :	RJ18
Weight (gm):	4001

TECHNICAL SPECIFICATION

Material:	AlSi 12, as per DIN EN 1706
Colour:	RAL 7001, 7031, 7032, 7035, 7038, Black RAL 9004
Protection:	IP66 as per IEC 60529
Gasket:	Neoprene Gasket
Lid Screw:	Stainless Steel 1.4301 (A2), captive - M6
Tightening Torque:	3 to 4 Nm
Impact Strength:	Impact Energy 10 Joules - IK 09 EN 60068-2-75
Service Temperature(Degree Celsius)	-40°C to +100°C
Surface:	Painted / Non - Painted
Components:	Fastening threads M6 in the enclosure bottom
Process Control System	ISO 9001 - 2015, IEC 80079 - 34 - 2011

AVAILABLE ON DEMAND

DIN Rail	Yes
Mounting Plate	Yes
External Mounting Brackets	Stainless Steel 1.4301 (A2)
Gasket	Silicon / Viton / EMC
Protection	IP67 / IP68
Surface	Corrosion Protection / Special Colours
Hinges	External / Internal



PRODUCT SPECIFICATION	
Dim (LxWxH):	200 X 230 X 110
Model No:	RJ19
Order No :	RJ19
Weight (gm):	2578

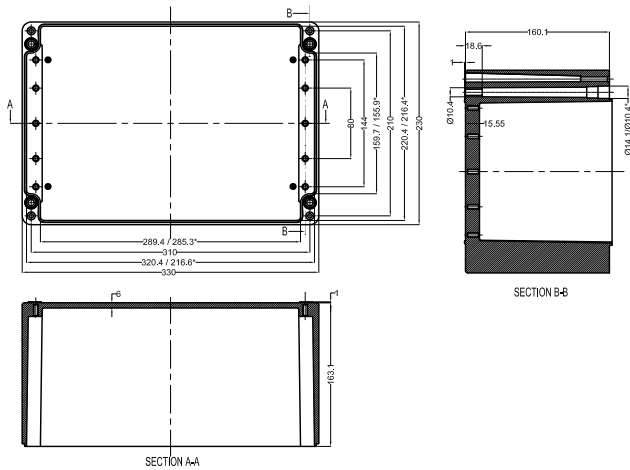
TECHNICAL SPECIFICATION	
Material	AlSi 12, as per DIN EN 1706
Colour	RAL 7001, 7031, 7032, 7035, 7038, Black RAL 9004
Protection	IP66 as per IEC 60529
Gasket	Neoprene Gasket
Lid Screw	Stainless Steel 1.4301 (A2), captive - M6
Tightening Torque	3 to 4 Nm
Impact Strength	Impact Energy 10 Joules - IK 09 EN 60068-2-75
Service Temperature	-40°C to +100°C
Surface	Painted / Non - Painted
Components	Fastening threads M6 in the enclosure bottom
Process Control System	ISO 9001 - 2015, IEC 80079 - 34 - 2011

AVAILABLE ON DEMAND	
DIN Rail	Yes
Mounting Plate	Yes
External Mounting Brackets	Stainless Steel 1.4301 (A2)
Gasket	Silicon / Viton / EMC
Protection	IP67 / IP68
Surface	Corrosion Protection / Special Colours
Hinges	External / Internal

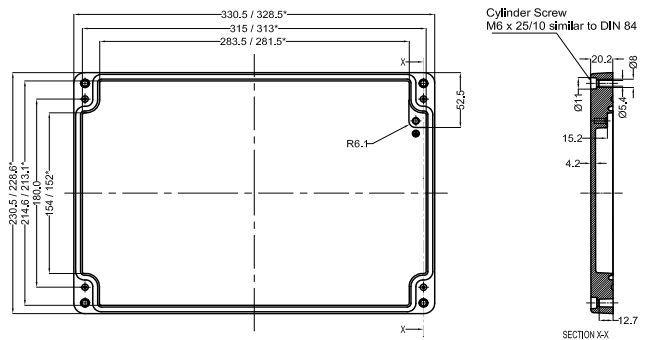
RJ20



BASE



LID



PRODUCT SPECIFICATION

Dim (LxWxH):	330 X 230 X 180
Model No:	RJ20
Order No :	RJ20
Weight (gm):	5723

TECHNICAL SPECIFICATION

Material	AlSi 12, as per DIN EN 1706
Colour	RAL 7001, 7031, 7032, 7035, 7038, Black RAL 9004
Protection	IP66 as per IEC 60529
Gasket	Neoprene Gasket
Lid Screw	Stainless Steel 1.4301 (A2), captive - M6
Tightening Torque	3 to 4 Nm
Impact Strength	Impact Energy 10 Joules - IK 09 EN 60068-2-75
Service Temperature	-40°C to +100°C
Surface	Painted / Non - Painted
Components	Fastening threads M6 in the enclosure bottom
Process Control System	ISO 9001 - 2015, IEC 80079 - 34 - 2011

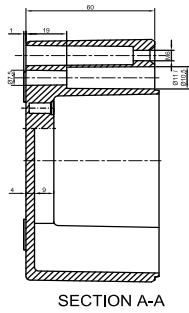
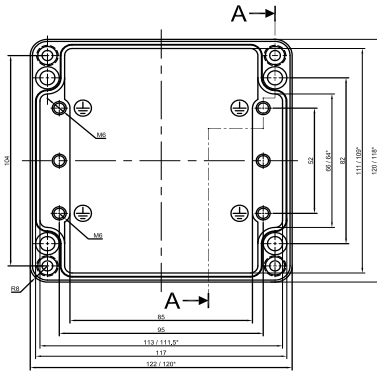
AVAILABLE ON DEMAND

DIN Rail	Yes
Mounting Plate	Yes
External Mounting Brackets	Stainless Steel 1.4301 (A2)
Gasket	Silicon / Viton / EMC
Protection	IP67 / IP68
Surface	Corrosion Protection / Special Colours
Hinges	External / Internal

RJ22

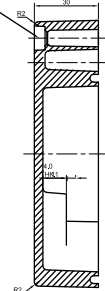
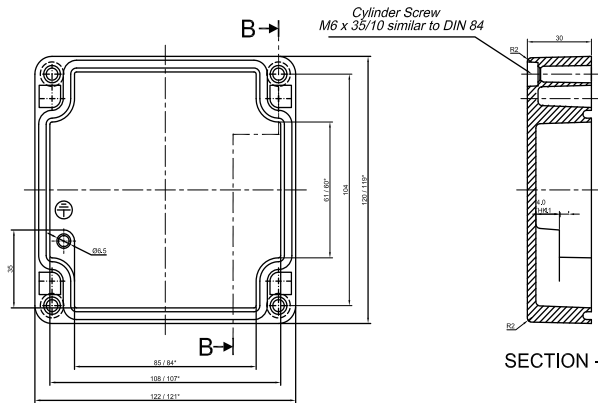


BASE



SECTION A-A

LID



SECTION B-B

PRODUCT SPECIFICATION

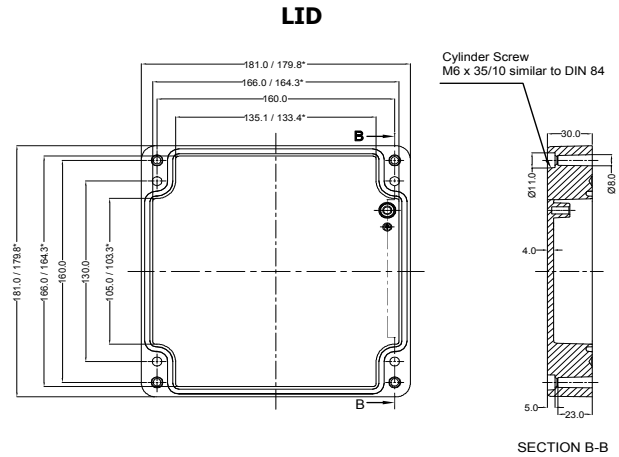
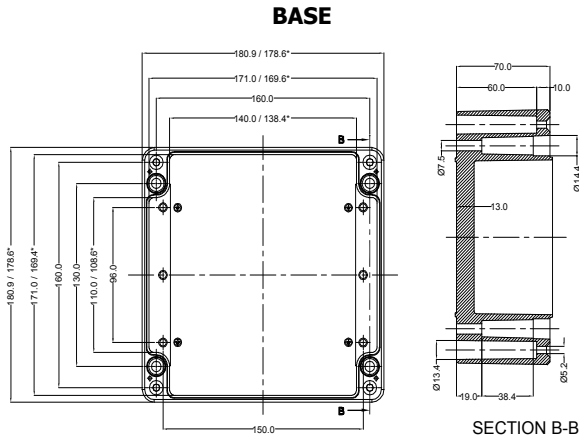
Dim (LxWxH):	122 X 120 X 91
Model No:	RJ22
Order No :	RJ22
Weight (gm):	1100

TECHNICAL SPECIFICATION

Material:	AlSi 12, as per DIN EN 1706
Colour:	RAL 7001, 7031, 7032, 7035, 7038, Black RAL 9004
Protection:	IP66 as per IEC 60529
Gasket:	Neoprene Gasket
Lid Screw:	Stainless Steel 1.4301 (A2), captive - M6
Tightening Torque	3 to 4 Nm
Impact Strength:	Impact Energy 10 Joules - IK 09 EN 60068-2-75
Service Temperature(Degree Celsius)	-40°C to +100°C
Surface:	Painted / Non - Painted
Components:	Fastening threads M6 in the enclosure bottom
Process Control System	ISO 9001 - 2015, IEC 80079 - 34 - 2011

AVAILABLE ON DEMAND

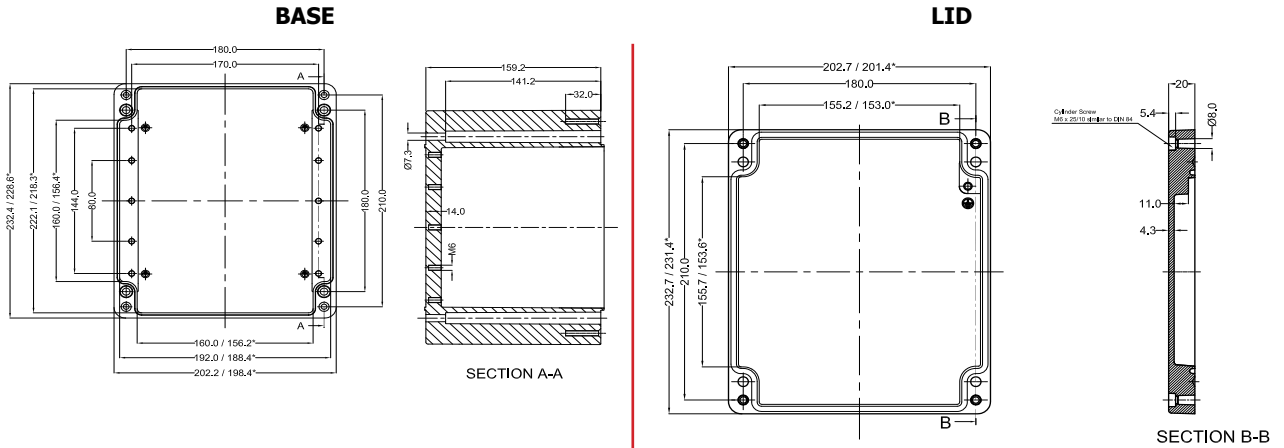
DIN Rail	Yes
Mounting Plate	Yes
External Mounting Brackets	Stainless Steel 1.4301 (A2)
Gasket	Silicon / Viton / EMC
Protection	IP67 / IP68
Surface	Corrosion Protection / Special Colours
Hinges	External



PRODUCT SPECIFICATION	
Dim (LxWxH):	180 X 180 X 100
Model No:	RJ28
Order No :	RJ28
Weight (gm):	2250

TECHNICAL SPECIFICATION	
Material	AISI 12, as per DIN EN 1706
Colour	RAL 7001, 7031, 7032, 7035, 7038, Black RAL 9004
Protection	IP66 as per IEC 60529
Gasket	Neoprene Gasket
Lid Screw	Stainless Steel 1.4301 (A2), captive - M6
Tightening Torque	3 to 4 Nm
Impact Strength	Impact Energy 10 Joules - IK 09 EN 60068-2-75
Service Temperature	-40°C to +100°C
Surface	Painted / Non - Painted
Components	Fastening threads M6 in the enclosure bottom
Process Control System	ISO 9001 - 2015, IEC 80079 - 34 - 2011

AVAILABLE ON DEMAND	
DIN Rail	Yes
Mounting Plate	Yes
External Mounting Brackets	Stainless Steel 1.4301 (A2)
Gasket	Silicon / Viton / EMC
Protection	IP67 / IP68
Surface	Corrosion Protection / Special Colours
Hinges	External / Internal



PRODUCT SPECIFICATION	
Dim (LxWxH):	200 X 230 X 180
Model No:	RJ30
Order No :	RJ30
Weight (gm):	4096

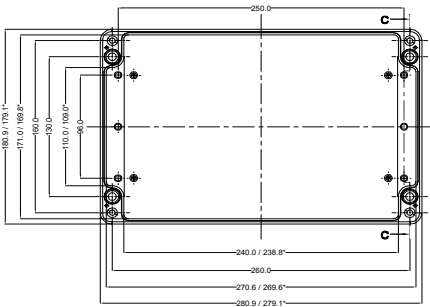
TECHNICAL SPECIFICATION	
Material	AlSi 12, as per DIN EN 1706
Colour	RAL 7001, 7031, 7032, 7035, 7038, Black RAL 9004
Protection	IP66 as per IEC 60529
Gasket	Neoprene Gasket
Lid Screw	Stainless Steel 1.4301 (A2), captive - M6
Tightening Torque	3 to 4 Nm
Impact Strength	Impact Energy 10 Joules - IK 09 EN 60068-2-75
Service Temperature	-40°C to +100°C
Surface	Painted / Non - Painted
Components	Fastening threads M6 in the enclosure bottom
Process Control System	ISO 9001 - 2015, IEC 80079 - 34 - 2011

AVAILABLE ON DEMAND	
DIN Rail	Yes
Mounting Plate	Yes
External Mounting Brackets	Stainless Steel 1.4301 (A2)
Gasket	Silicon / Viton / EMC
Protection	IP67 / IP68
Surface	Corrosion Protection / Special Colours
Hinges	External / Internal

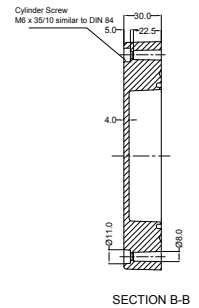
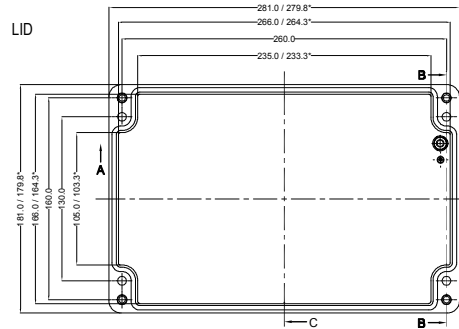
RJ31



BASE



LID



PRODUCT SPECIFICATION

Dim (LxWxH):	400 X 310 X 110
Model No:	RJ31
Order No :	RJ31
Weight (gm):	6500

TECHNICAL SPECIFICATION

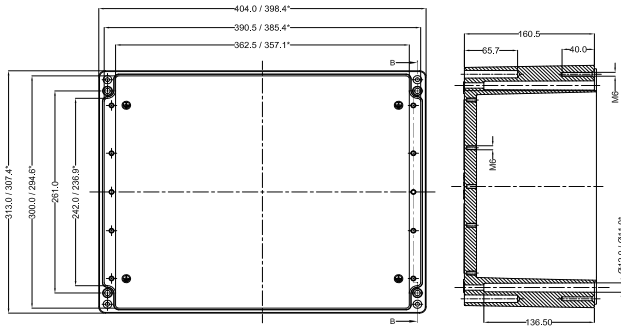
Material	AISI 12, as per DIN EN 1706
Colour	RAL 7001, 7031, 7032, 7035, 7038, Black RAL 9004
Protection	IP66 as per IEC 60529
Gasket	Neoprene Gasket
Lid Screw	Stainless Steel 1.4301 (A2), captive - M6
Tightening Torque	3 to 4 Nm
Impact Strength	Impact Energy 10 Joules - IK 09 EN 60068-2-75
Service Temperature	-40°C to +100°C
Surface	Painted / Non - Painted
Components	Fastening threads M6 in the enclosure bottom
Process Control System	ISO 9001 - 2015, IEC 80079 - 34 - 2011

AVAILABLE ON DEMAND

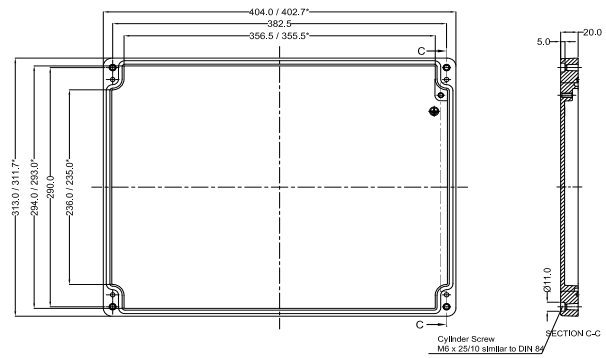
DIN Rail	Yes
Mounting Plate	Yes
External Mounting Brackets	Stainless Steel 1.4301 (A2)
Gasket	Silicon / Viton / EMC
Protection	No
Surface	Corrosion Protection / Special Colours
Hinges	External / Internal



BASE



LID



PRODUCT SPECIFICATION

Dim (LxWxH):	400 X 310 X 180
Model No:	RJ32
Order No :	RJ32
Weight (gm):	9700

TECHNICAL SPECIFICATION

Material	AISI 12, as per DIN EN 1706
Colour	RAL 7001, 7031, 7032, 7035, 7038, Black RAL 9004
Protection	IP66 as per IEC 60529
Gasket	Neoprene Gasket
Lid Screw	Stainless Steel 1.4301 (A2), captive - M6
Tightening Torque	3 to 4 Nm
Impact Strength	Impact Energy 10 Joules - IK 09 EN 60068-2-75
Service Temperature	-40°C to +100°C
Surface	Painted / Non - Painted
Components	Fastening threads M6 in the enclosure bottom
Process Control System	ISO 9001 - 2015, IEC 80079 - 34 - 2011

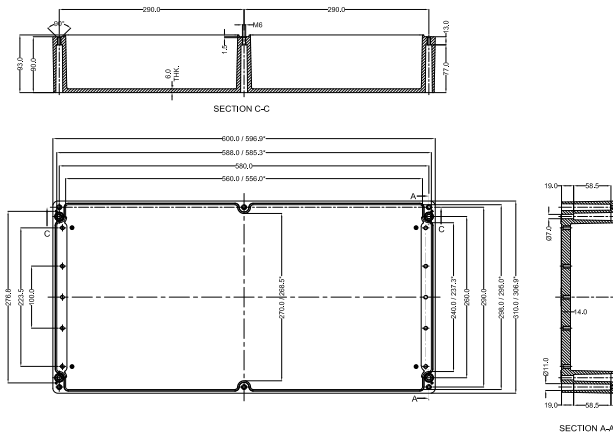
AVAILABLE ON DEMAND

DIN Rail	Yes
Mounting Plate	Yes
External Mounting Brackets	Stainless Steel 1.4301 (A2)
Gasket	Silicon / Viton / EMC
Protection	No
Surface	Corrosion Protection / Special Colours
Hinges	External

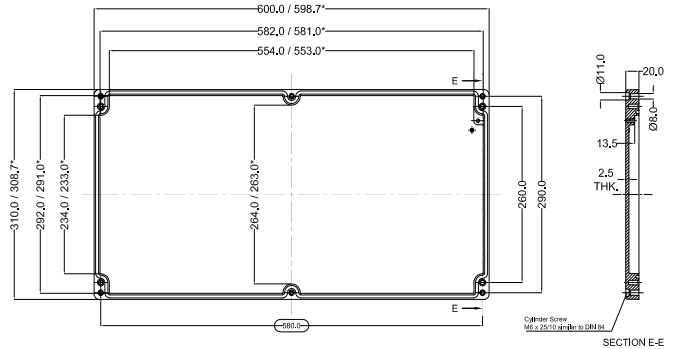
RJ33



BASE



LID



PRODUCT SPECIFICATION

Dim (LxWxH):	600 X 310 X 110
Model No:	RJ33
Order No :	RJ33
Weight (gm):	10300

TECHNICAL SPECIFICATION

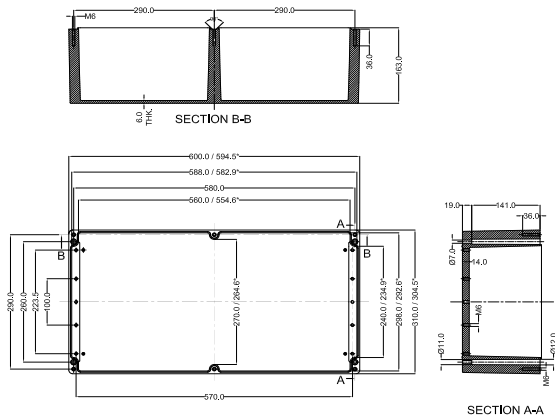
Material	AlSi 12, as per DIN EN 1706
Colour	RAL 7001, 7031, 7032, 7035, 7038, Black RAL 9004
Protection	IP66 as per IEC 60529
Gasket	Neoprene Gasket
Lid Screw	Stainless Steel 1.4301 (A2), captive - M6
Tightening Torque	3 to 4 Nm
Impact Strength	Impact Energy 10 Joules - IK 09 EN 60068-2-75
Service Temperature	-40°C to +100°C
Surface	Painted / Non - Painted
Components	Fastening threads M6 in the enclosure bottom
Process Control System	ISO 9001 - 2015, IEC 80079 - 34 - 2011

AVAILABLE ON DEMAND

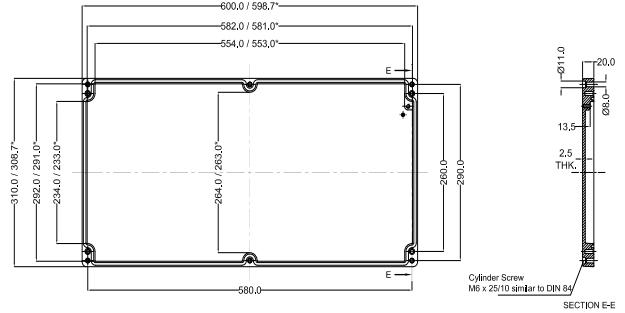
DIN Rail	Yes
Mounting Plate	Yes
External Mounting Brackets	Stainless Steel 1.4301 (A2)
Gasket	Silicon / Viton / EMC
Protection	No
Surface	Corrosion Protection / Special Colours
Hinges	External



BASE



LID



PRODUCT SPECIFICATION	
Dim (LxWxH):	600 X 310 X 180
Model No:	RJ34
Order No :	RJ34
Weight (gm):	14400

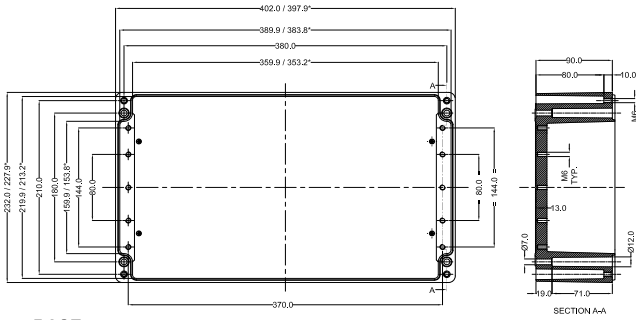
TECHNICAL SPECIFICATION	
Material	AlSi 12, as per DIN EN 1706
Colour	RAL 7001, 7031, 7032, 7035, 7038, Black RAL 9004
Protection	IP66 as per IEC 60529
Gasket	Neoprene Gasket
Lid Screw	Stainless Steel 1.4301 (A2), captive - M6
Tightening Torque	3 to 4 Nm
Impact Strength	Impact Energy 10 Joules - IK 09 EN 60068-2-75
Service Temperature	-40°C to +100°C
Surface	Painted / Non - Painted
Components	Fastening threads M6 in the enclosure bottom
Process Control System	ISO 9001 - 2015, IEC 80079 - 34 - 2011

AVAILABLE ON DEMAND	
DIN Rail	Yes
Mounting Plate	Yes
External Mounting Brackets	Stainless Steel 1.4301 (A2)
Gasket	Silicon / Viton / EMC
Protection	No
Surface	Corrosion Protection / Special Colours
Hinges	External

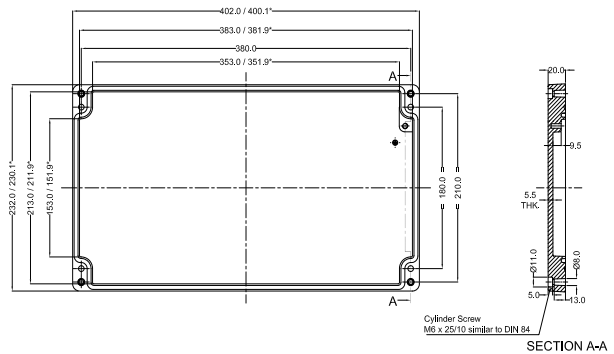
RJ35



BASE



LID



PRODUCT SPECIFICATION

Dim (LxWxH):	400 X 230 X 110
Model No:	RJ35
Order No :	RJ35
Weight (gm):	5310

TECHNICAL SPECIFICATION

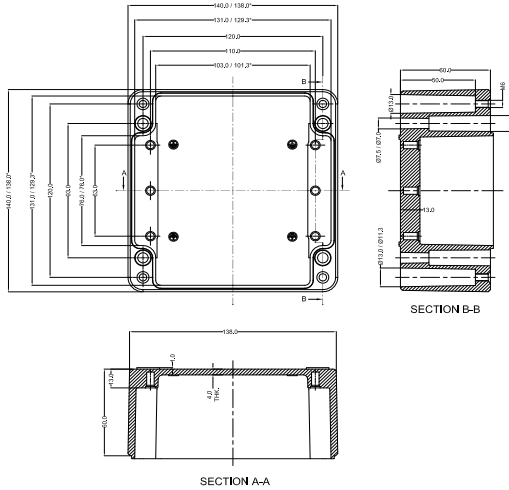
Material	AISI 12, as per DIN EN 1706
Colour	RAL 7001, 7031, 7032, 7035, 7038, Black RAL 9004
Protection	IP66 as per IEC 60529
Gasket	Neoprene Gasket
Lid Screw	Stainless Steel 1.4301 (A2), captive - M6
Tightening Torque	3 to 4 Nm
Impact Strength:	Impact Energy 10 Joules - IK 09 EN 60068-2-75
Service Temperature	-40°C to +100°C
Surface	Painted / Non - Painted
Components	Fastening threads M6 in the enclosure bottom
Process Control System	ISO 9001 - 2015, IEC 80079 - 34 - 2011

AVAILABLE ON DEMAND

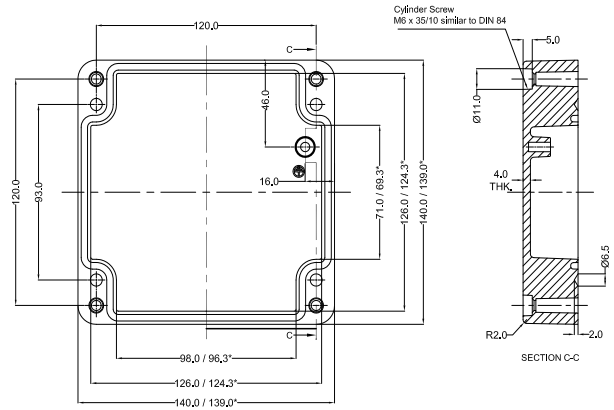
DIN Rail	Yes
Mounting Plate	Yes
External Mounting Brackets	Stainless Steel 1.4301 (A2)
Gasket	Silicon / Viton / EMC
Protection	No
Surface	Corrosion Protection / Special Colours
Hinges	External



BASE



LID



PRODUCT SPECIFICATION

Dim (LxWxH):	140 X 140 X 90
Model No:	RJ36
Order No :	RJ36
Weight (gm):	1465

TECHNICAL SPECIFICATION

Material	AISI 12, as per DIN EN 1706
Colour	RAL 7001, 7031, 7032, 7035, 7038, Black RAL 9004
Protection	IP66 as per IEC 60529
Gasket	Neoprene Gasket
Lid Screw	Stainless Steel 1.4301 (A2), captive - M6
Tightening Torque:	3 to 4 Nm
Impact Strength	Impact Energy 10 Joules - IK 09 EN 60068-2-75
Service Temperature	-40°C to +100°C
Surface	Painted / Non - Painted
Components	Fastening threads M6 in the enclosure bottom
Process Control System	ISO 9001 - 2015, IEC 80079 - 34 - 2011

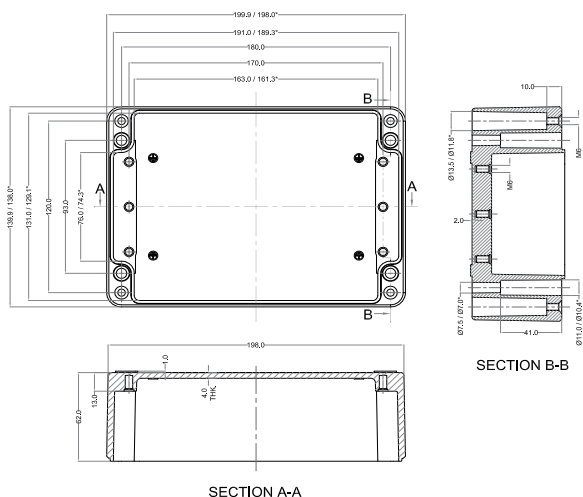
AVAILABLE ON DEMAND

DIN Rail	Yes
Mounting Plate	Yes
External Mounting Brackets	Stainless Steel 1.4301 (A2)
Gasket	Silicon / Viton / EMC
Protection	IP67 / IP68
Surface	Corrosion Protection / Special Colours
Hinges	External / Internal

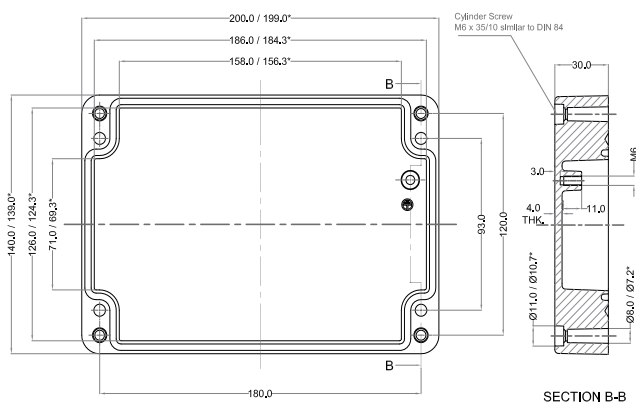
RJ37



BASE



LID



PRODUCT SPECIFICATION

Dim (LxWxH):	200 X 140 X 90
Model No:	RJ37
Order No :	RJ37
Weight (gm):	1750

TECHNICAL SPECIFICATION

Material:	AlSi 12, as per DIN EN 1706
Colour:	RAL 7001, 7031, 7032, 7035, 7038, Black RAL 9004
Protection:	IP66 as per IEC 60529
Gasket:	Neoprene Gasket
Lid Screw:	Stainless Steel 1.4301 (A2), captive - M6
Tightening Torque:	3 to 4 Nm
Impact Strength:	Impact Energy 10 Joules - IK 09 EN 60068-2-75
Service Temperature(Degree Celsius)	-40°C to +100°C
Surface:	Painted / Non - Painted
Components:	Fastening threads M6 in the enclosure bottom
Process Control System	ISO 9001 - 2015, IEC 80079 - 34 - 2011

AVAILABLE ON DEMAND

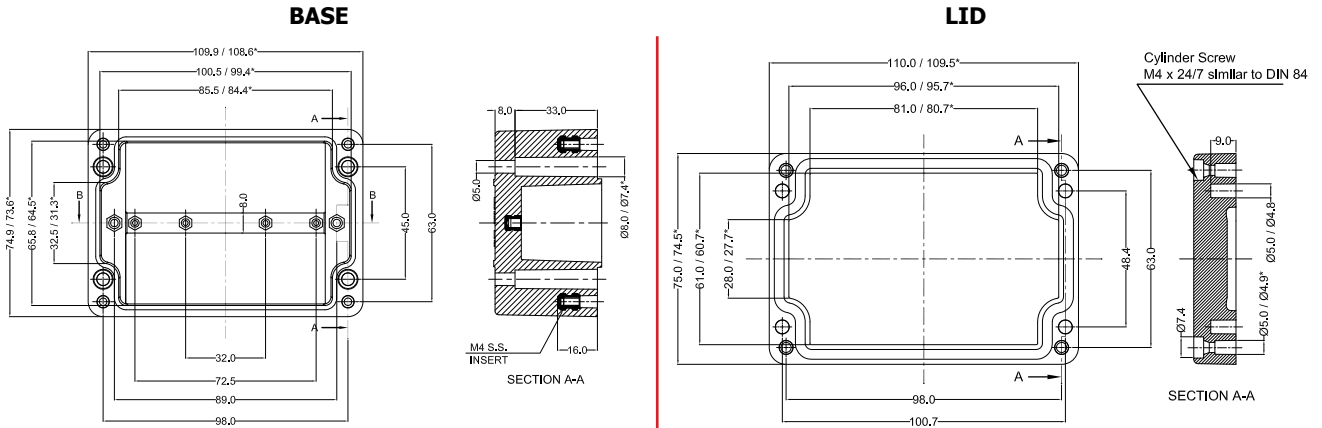
DIN Rail	Yes
Mounting Plate	Yes
External Mounting Brackets	Stainless Steel 1.4301 (A2)
Gasket	Silicon / Viton / EMC
Protection	IP67 / IP68
Surface	Corrosion Protection / Special Colours
Hinges	External / Internal



GRP ENCLOSURES Standard



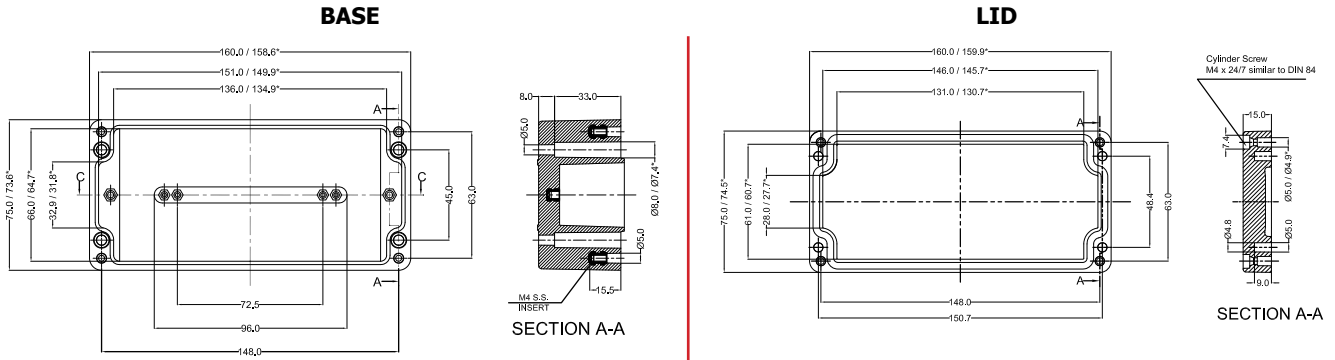
GRJ02



PRODUCT SPECIFICATION - STANDARD	
Dim (LxWxH):	110 x 75 x 55
Model No:	GRJ02
Order No :	GRJ02
Weight (gm):	246

TECHNICAL SPECIFICATION	GREY	BLACK
Colour	RAL 7000	Similar to RAL 9011
Material	Glass Fiber Reinforced Polyester	Glass Reinforced Polyester - Graphite Added
Gasket:	Neoprene	Silicone
Surface Resistance	> 10 ¹² Ohm	< 10 ⁹ Ohm
Service Temperature	- 40°C to +80°C	-50°C to +100°C
Lid Screw	Captive Screw - SS1.4301 (A2) - M4	
Tightening Torque:	1 to 2 Nm	
Protection	IP 66, EN 60529	
Impact Strength	Impact Energy > 7 Joules, EN 60079	
Flammability	Self Extinguishing, UL 94 V0	
Process Control System	ISO 9001 - 2015, IEC 80079 - 34 - 2011	

AVAILABLE ON DEMAND	
DIN Rail	TS15
Mounting Plate	Yes
External Mounting Brackets	Yes
Hinges	No
Alter Lid Screw	Yes
Sealable Lid screw	Yes

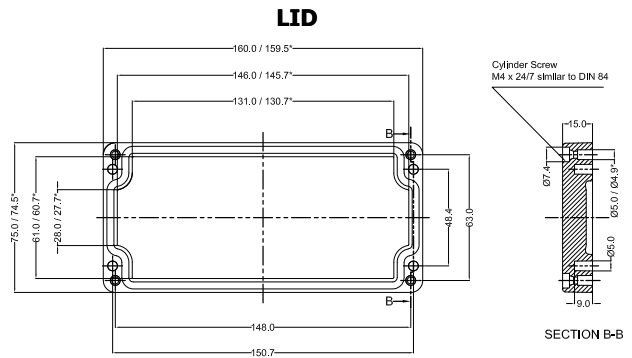
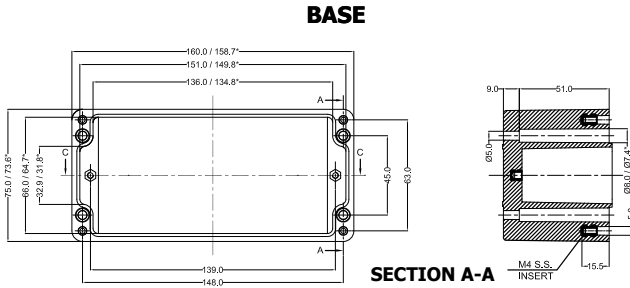


PRODUCT SPECIFICATION - STANDARD	
Dim (LxWxH):	160 x 75 x 55
Model No:	GRJ05
Order No :	GRJ05
Weight (gm):	328

TECHNICAL SPECIFICATION	GREY	BLACK
Colour	RAL 7000	Similar to RAL 9011
Material	Glass Fiber Reinforced Polyester	Glass Reinforced Polyester - Graphite Added
Gasket:	Neoprene	Silicone
Surface Resistance	> 10 ¹² Ohm	< 10 ⁹ Ohm
Service Temperature	- 40°C to +80°C	-50°C to +100°C
Lid Screw	Captive Screw - SS1.4301 (A2) - M4	
Tightening Torque:	1 to 2 Nm	
Protection	IP 66, EN 60529	
Impact Strength	Impact Energy > 7 Joules, EN 60079	
Flammability	Self Extinguishing, UL 94 V0	
Process Control System	ISO 9001 - 2015, IEC 80079 - 34 - 2011	

AVAILABLE ON DEMAND	
DIN Rail	TS15
Mounting Plate	Yes
External Mounting Brackets	Yes
Hinges	No
Alter Lid Screw	Yes
Sealable Lid screw	Yes

GRJ06



PRODUCT SPECIFICATION - STANDARD

Dim (LxWxH):	160 X 75 X 75
Model No:	GRJ06
Order No :	GRJ06
Weight (gm):	388

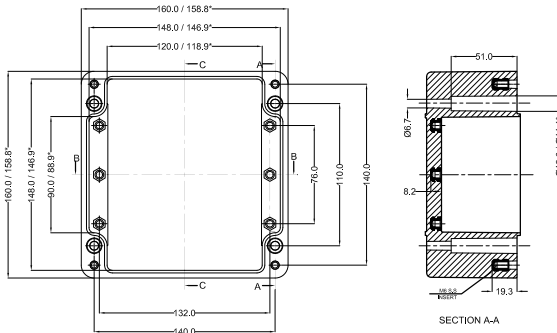
TECHNICAL SPECIFICATION	GREY	BLACK
Colour	RAL 7000	Similar to RAL 9011
Material	Glass Fiber Reinforced Polyester	Glass Reinforced Polyester - Graphite Added
Gasket:	Neoprene	Silicone
Surface Resistance	> 10 ¹² Ohm	< 10 ⁹ Ohm
Service Temperature	- 40°C to +80°C	-50°C to +100°C
Lid Screw	Captive Screw - SS1.4301 (A2) - M4	
Tightening Torque:	1 to 2 Nm	
Protection	IP 66, EN 60529	
Impact Strength	Impact Energy > 7 Joules, EN 60079	
Flammability	Self Extinguishing, UL 94 V0	
Process Control System	ISO 9001 - 2015, IEC 80079 - 34 - 2011	

AVAILABLE ON DEMAND

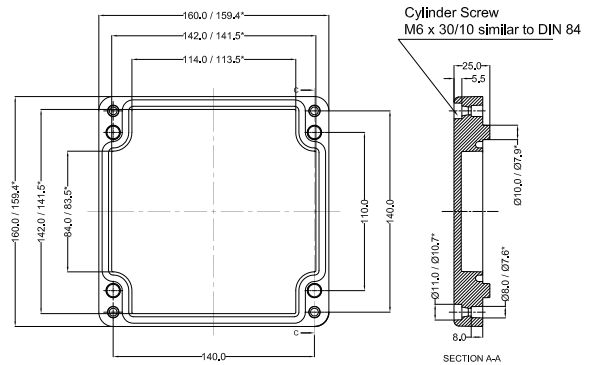
DIN Rail	TS15
Mounting Plate	Yes
External Mounting Brackets	Yes
Hinges	No
Alter Lid Screw	Yes
Sealable Lid screw	Yes



BASE



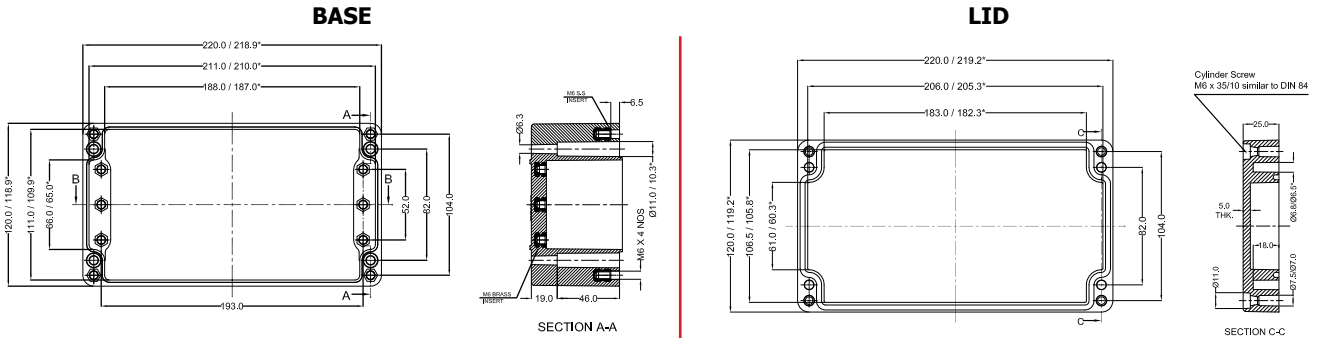
LID



PRODUCT SPECIFICATION - STANDARD	
Dim (LxWxH):	160 X 160 X 90
Model No:	GRJ07
Order No :	GRJ07
Weight (gm):	959

TECHNICAL SPECIFICATION	GREY	BLACK
Colour	RAL 7000	Similar to RAL 9011
Material	Glass Fiber Reinforced Polyester	Glass Reinforced Polyester - Graphite Added
Gasket:	Neoprene	Silicone
Surface Resistance	> 10 ¹² Ohm	< 10 ⁹ Ohm
Service Temperature	- 40°C to +80°C	-50°C to +100°C
Lid Screw	Captive Screw - SS1.4301 (A2) - M6	
Tightening Torque:	2 to 3 Nm	
Protection	IP 66, EN 60529	
Impact Strength	Impact Energy > 7 Joules, EN 60079	
Flammability	Self Extinguishing, UL 94 V0	
Process Control System	ISO 9001 - 2015, IEC 80079 - 34 - 2011	

AVAILABLE ON DEMAND	
DIN Rail	TS35
Mounting Plate	Yes
External Mounting Brackets	Yes
Hinges	External
Alter Lid Screw	Yes
Sealable Lid screw	Yes



PRODUCT SPECIFICATION - STANDARD	
Dim (LxWxH):	220 X 120 X 90
Model No:	GRJ11
Order No :	GRJ11
Weight (gm):	811

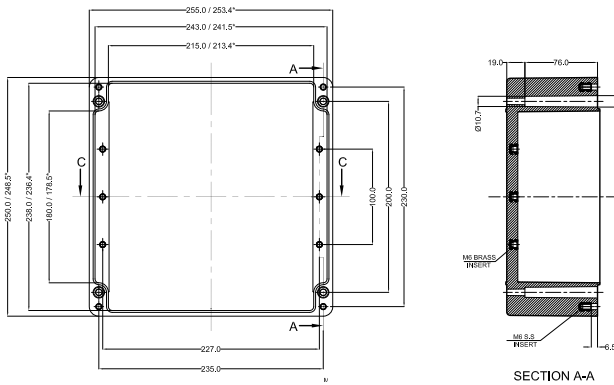
TECHNICAL SPECIFICATION	GREY	BLACK
Colour	RAL 7000	Similar to RAL 9011
Material	Glass Fiber Reinforced Polyester	Glass Reinforced Polyester - Graphite Added
Gasket:	Neoprene	Silicone
Surface Resistance	> 10 ¹² Ohm	< 10 ⁹ Ohm
Service Temperature	- 40°C to +80°C	-50°C to +100°C
Lid Screw	Captive Screw - SS1.4301 (A2) - M6	
Tightening Torque:	2 to 3 Nm	
Protection	IP 66, EN 60529	
Impact Strength	Impact Energy > 7 Joules, EN 60079	
Flammability	Self Extinguishing, UL 94 V0	
Process Control System	ISO 9001 - 2015, IEC 80079 - 34 - 2011	

AVAILABLE ON DEMAND	
DIN Rail	TS35
Mounting Plate	Yes
External Mounting Brackets	Yes
Hinges	External
Alter Lid Screw	Yes
Sealable Lid screw	Yes

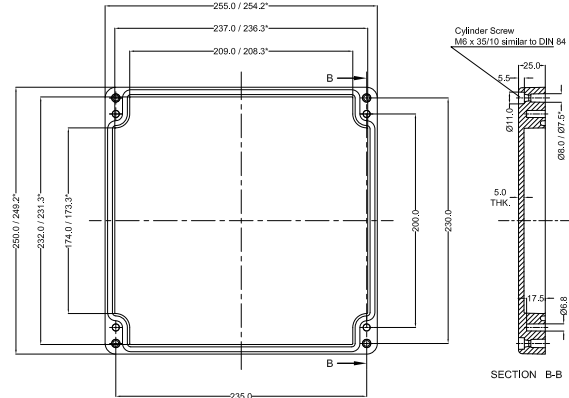
GRJ12



BASE



LID



PRODUCT SPECIFICATION - STANDARD

Dim (LxWxH):	255 X 250 X 120
Model No:	GRJ12
Order No :	GRJ12
Weight (gm):	2132

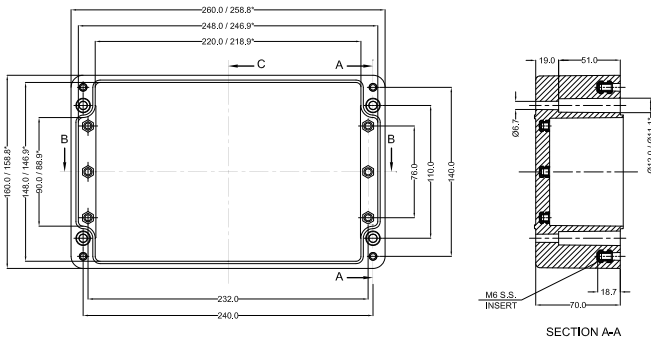
TECHNICAL SPECIFICATION	GREY	BLACK
Colour	RAL 7000	Similar to RAL 9011
Material	Glass Fiber Reinforced Polyester	Glass Reinforced Polyester - Graphite Added
Gasket:	Neoprene	Silicone
Surface Resistance	> 10 ¹² Ohm	< 10 ⁹ Ohm
Service Temperature	- 40°C to +80°C	-50°C to +100°C
Lid Screw	Captive Screw - SS1.4301 (A2) - M6	
Tightening Torque:	2 to 3 Nm	
Protection	IP 66, EN 60529	
Impact Strength	Impact Energy > 7 Joules, EN 60079	
Flammability	Self Extinguishing, UL 94 V0	
Process Control System	ISO 9001 - 2015, IEC 80079 - 34 - 2011	

AVAILABLE ON DEMAND

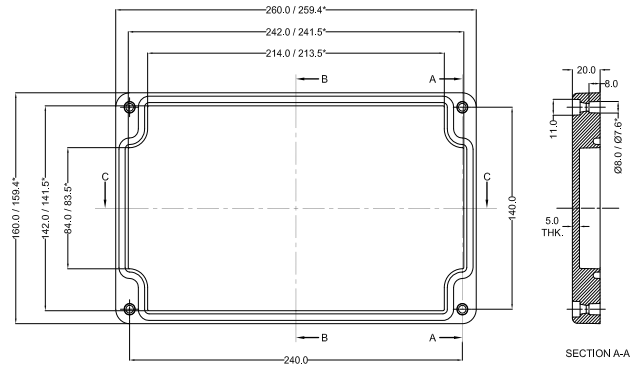
DIN Rail	TS35
Mounting Plate	Yes
External Mounting Brackets	Yes
Hinges	External
Alter Lid Screw	Yes
Sealable Lid screw	Yes



BASE



LID



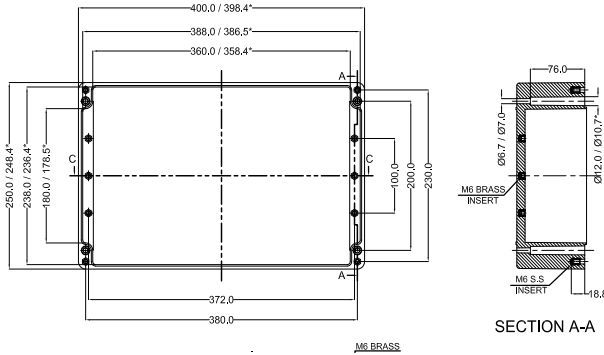
PRODUCT SPECIFICATION - STANDARD	
Dim (LxWxH):	260 X 160 X 90
Mod el No:	GRJ13
Order No :	GRJ13
Weight (gm):	1342

TECHNICAL SPECIFICATION	GREY	BLACK
Colour	RAL 7000	Similar to RAL 9011
Material	Glass Fiber Reinforced Polyester	Glass Reinforced Polyester - Graphite Added
Gasket:	Neoprene	Silicone
Surface Resistance	> 10 ¹² Ohm	< 10 ⁹ Ohm
Service Temperature	- 40°C to +80°C	-50°C to +100°C
Lid Screw	Captive Screw - SS1.4301 (A2) - M6	
Tightening Torque:	2 to 3 Nm	
Protection	IP 66, EN 60529	
Impact Strength	Impact Energy > 7 Joules, EN 60079	
Flammability	Self Extinguishing, UL 94 V0	
Process Control System	ISO 9001 - 2015, IEC 80079 - 34 - 2011	

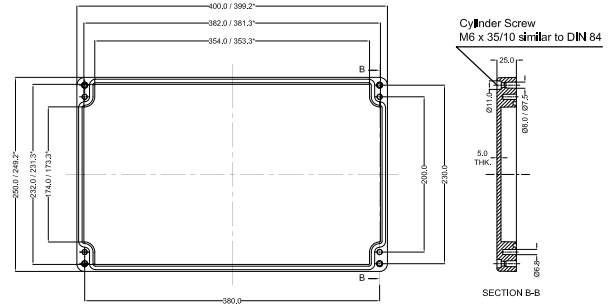
AVAILABLE ON DEMAND	
DIN Rail	TS35
Mounting Plate	Yes
External Mounting Brackets	Yes
Hinges	External
Alter Lid Screw	Yes
Sealable Lid screw	Yes



BASE



LID



PRODUCT SPECIFICATION - STANDARD	
Dim (LxWxH):	400 X 250 X 120
Model No:	GRJ15
Order No :	GRJ15
Weight (gm):	2971

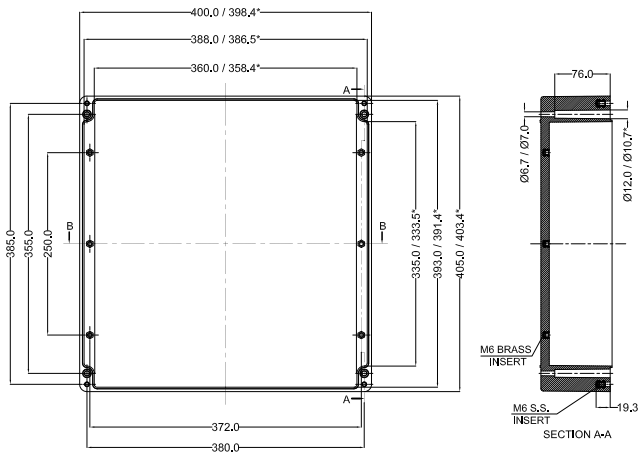
TECHNICAL SPECIFICATION	GREY	BLACK
Colour	RAL 7000	Similar to RAL 9011
Material	Glass Fiber Reinforced Polyester	Glass Reinforced Polyester - Graphite Added
Gasket:	Neoprene	Silicone
Surface Resistance	> 10 ¹² Ohm	< 10 ⁹ Ohm
Service Temperature	- 40°C to +80°C	-50°C to +100°C
Lid Screw	Captive Screw - SS1.4301 (A2) - M6	
Tightening Torque:	2 to 3 Nm	
Protection	IP 66, EN 60529	
Impact Strength	Impact Energy > 7 Joules, EN 60079	
Flammability	Self Extinguishing, UL 94 V0	
Process Control System	ISO 9001 - 2015, IEC 80079 - 34 - 2011	

AVAILABLE ON DEMAND	
DIN Rail	TS35
Mounting Plate	Yes
External Mounting Brackets	Yes
Hinges	External
Alter Lid Screw	Yes
Sealable Lid screw	Yes

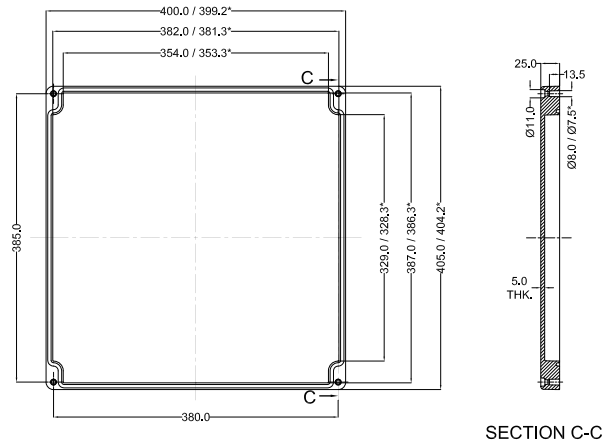
GRJ16



BASE



LID



PRODUCT SPECIFICATION - STANDARD

Dim (LxWxH):	400 X 405 X 120
Model No:	GRJ16
Order No :	GRJ16
Weight (gm):	4263

TECHNICAL SPECIFICATION	GREY	BLACK
Colour	RAL 7000	Similar to RAL 9011
Material	Glass Fiber Reinforced Polyester	Glass Reinforced Polyester - Graphite Added
Gasket:	Neoprene	Silicone
Surface Resistance	> 10 ¹² Ohm	< 10 ⁹ Ohm
Service Temperature	- 40°C to +80°C	-50°C to +100°C
Lid Screw	Captive Screw - SS1.4301 (A2) - M6	
Tightening Torque:	2 to 3 Nm	
Protection	IP 66, EN 60529	
Impact Strength	Impact Energy > 7 Joules, EN 60079	
Flammability	Self Extinguishing, UL 94 V0	
Process Control System	ISO 9001 - 2015, IEC 80079 - 34 - 2011	

AVAILABLE ON DEMAND

DIN Rail	TS35
Mounting Plate	Yes
External Mounting Brackets	Yes
Hinges	External
Alter Lid Screw	Yes
Sealable Lid screw	Yes



STAINLESS STEEL ENCLOSURES

TR-CU
RUSSIA

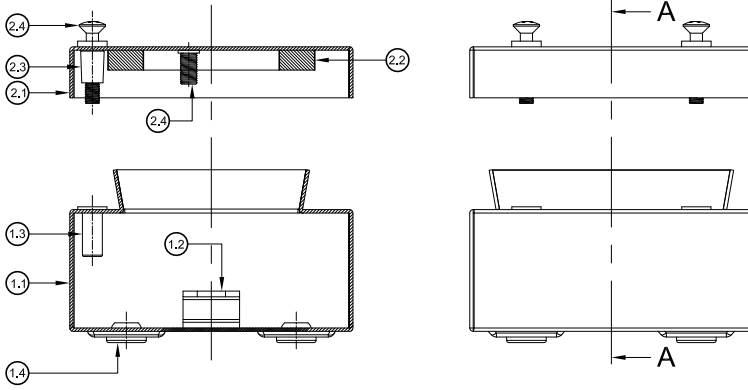
IP66



SSJ01

TR-CU
RUSSIA

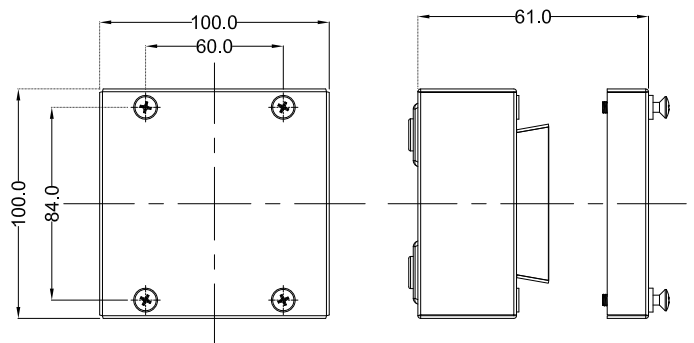
IP66



SECTION A-A

PRODUCT SPECIFICATION

Dim (LxWxH):	100 x 100 x 61
Model No:	SSJ1
Order No:	SSJ1
Weight (gm):	481.13



TECHNICAL SPECIFICATION

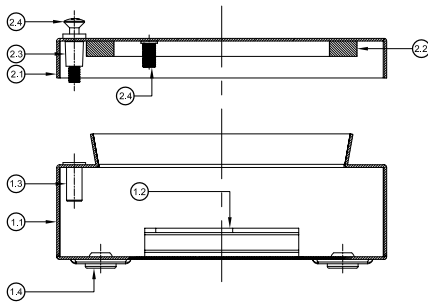
Material	Stainless Steel 1.25 mm or 1.5 mm, 1.4301/304
Surface Finish	Grinded, Grain 240
Protection	IP 66, EN 60529
Gasket	VMQ (Silicone)
Lid Screw	Stainless Steel 1.4301 (A2), Captive
Tightening Torque	2 to 4 Nm
Service Temperature	-40°C to +80°C
Process Control System	ISO 9001 - 2015

AVAILABLE ON DEMAND

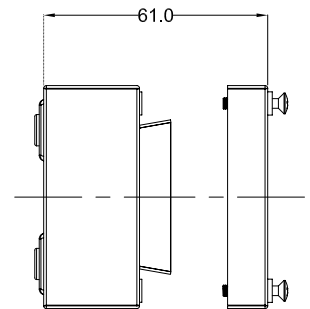
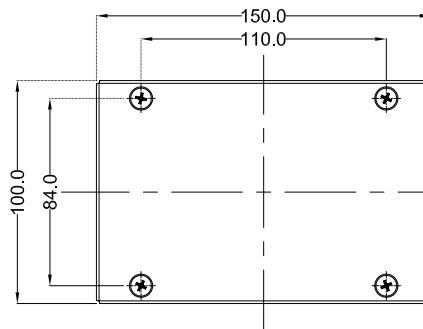
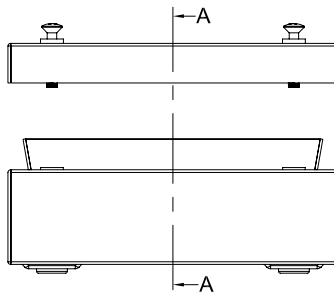
DIN Rail:	TS 35
Mounting Plate:	Yes
External Mounting Brackets	Yes
Hinges:	Yes
Material:	Other material on request

TR-CU
RUSSIA

IP66



SECTION A-A



PRODUCT SPECIFICATION

Dim (LxWxH):	150 x 100 x 61
Model No:	SSJ2
Order No:	SSJ2
Weight (gm):	660.26

TECHNICAL SPECIFICATION

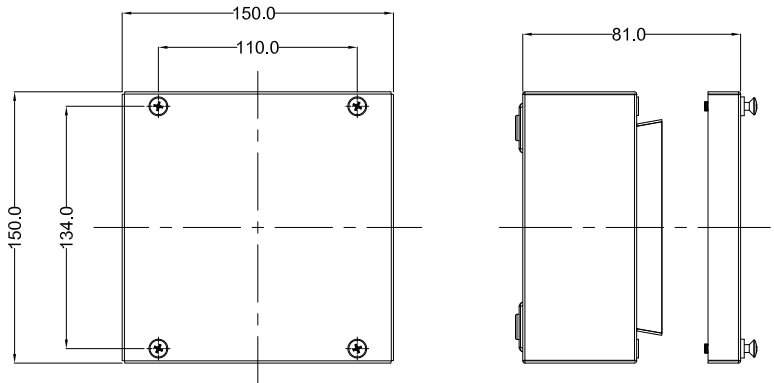
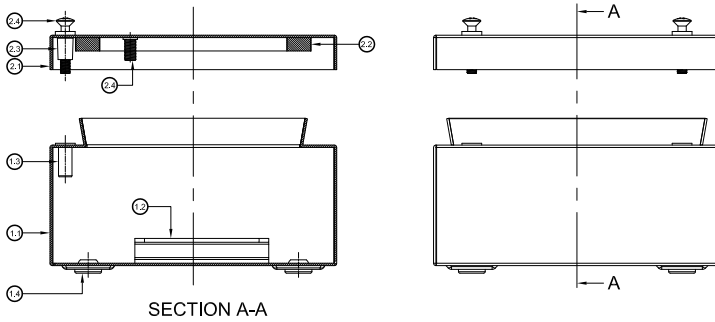
Material	Stainless Steel 1.25 mm or 1.5 mm, 1.4301/304
Surface Finish	Grinded, Grain 240
Protection	IP 66, EN 60529
Gasket	VMQ (Silicone)
Lid Screw	Stainless Steel 1.4301 (A2), Captive
Tightening Torque	2 to 4 Nm
Service Temperature	-40°C to +80°C
Process Control System	ISO 9001 - 2015

AVAILABLE ON DEMAND

DIN Rail:	TS 35
Mounting Plate:	Yes
External Mounting Brackets	Yes
Hinges:	Yes
Material:	Other material on request

SSJ03

TR-CU
RUSSIA IP66



PRODUCT SPECIFICATION

Dim (LxWxH):	150 x 150 x 81
Model No:	SSJ3
Order No:	SSJ3
Weight (gm):	993.3

TECHNICAL SPECIFICATION

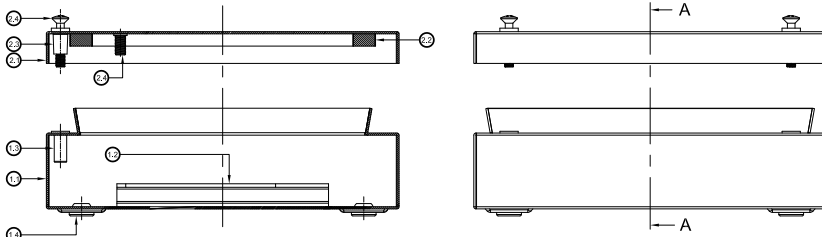
Material	Stainless Steel 1.25 mm or 1.5 mm, 1.4301/304
Surface Finish	Grinded, Grain 240
Protection	IP 66, EN 60529
Gasket	VMQ (Silicone)
Lid Screw	Stainless Steel 1.4301 (A2), Captive
Tightening Torque	2 to 4 Nm
Service Temperature	-40°C to +80°C
Process Control System	ISO 9001 - 2015

AVAILABLE ON DEMAND

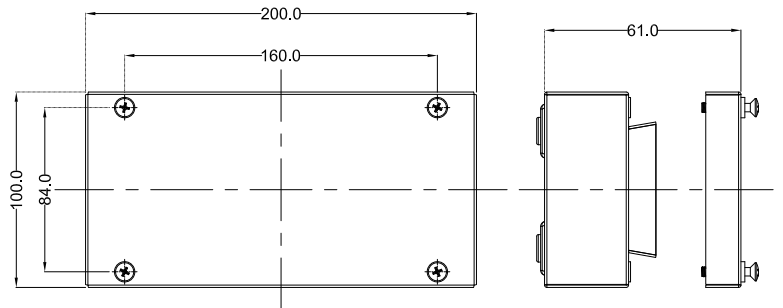
DIN Rail:	TS 35
Mounting Plate:	Yes
External Mounting Brackets	Yes
Hinges:	Yes
Material:	Other material on request

TR-CU
RUSSIA

IP66



SECTION A-A



PRODUCT SPECIFICATION

Dim (LxWxH):	200 x 100 x 61
Model No:	SSJ4
Order No:	SSJ4
Weight (gm):	839.39

TECHNICAL SPECIFICATION

Material	Stainless Steel 1.25 mm or 1.5 mm, 1.4301/304
Surface Finish	Grinded, Grain 240
Protection	IP 66, EN 60529
Gasket	VMQ (Silicone)
Lid Screw	Stainless Steel 1.4301 (A2), Captive
Tightening Torque	2 to 4 Nm
Service Temperature	-40°C to +80°C
Process Control System	ISO 9001 - 2015

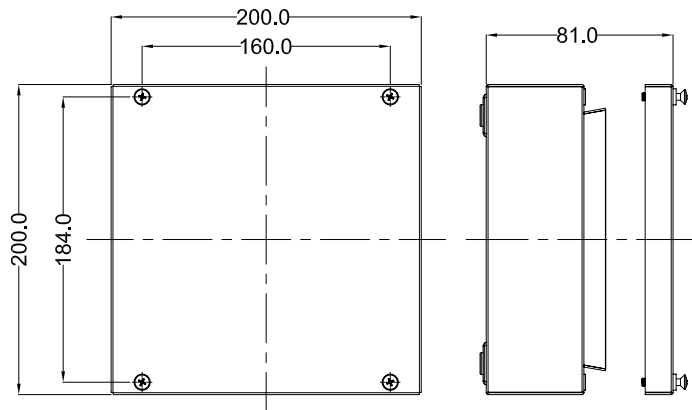
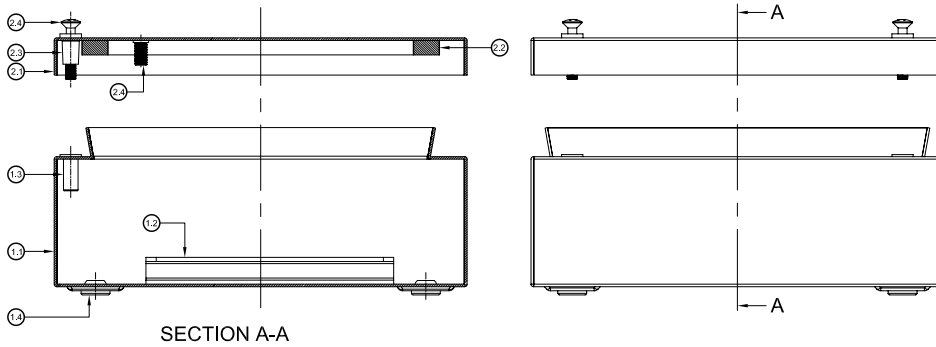
AVAILABLE ON DEMAND

DIN Rail:	TS 35
Mounting Plate:	Yes
External Mounting Brackets	Yes
Hinges:	Yes
Material:	Other material on request

SSJ05

TR-CU
RUSSIA

IP66



PRODUCT SPECIFICATION

Dim (LxWxH):	200 x 200 x 81
Model No:	SSJ5
Order No:	SSJ5
Weight (gm):	1526.88

TECHNICAL SPECIFICATION

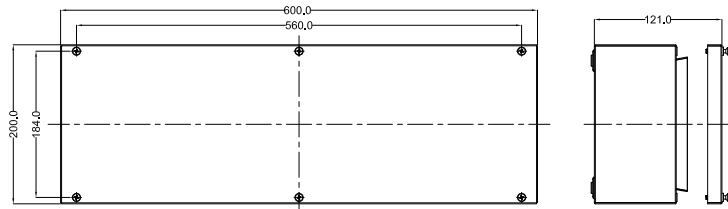
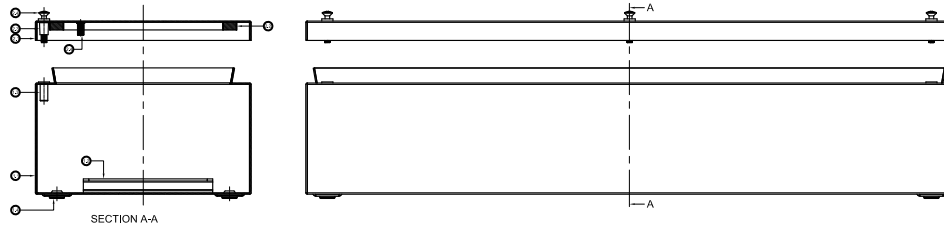
Material	Stainless Steel 1.25 mm or 1.5 mm, 1.4301/304
Surface Finish	Grinded, Grain 240
Protection	IP 66, EN 60529
Gasket	VMQ (Silicone)
Lid Screw	Stainless Steel 1.4301 (A2), Captive
Tightening Torque	2 to 4 Nm
Service Temperature	-40°C to +80°C
Process Control System	ISO 9001 - 2015

AVAILABLE ON DEMAND

DIN Rail:	TS 35
Mounting Plate:	Yes
External Mounting Brackets	Yes
Hinges:	Yes
Material:	Other material on request

TR-CU
RUSSIA

IP66



PRODUCT SPECIFICATION

Dim (LxWxH):	200 x 200 X 121
Model No:	SSJ6
Order No:	SSJ6
Weight (gm):	660.26

TECHNICAL SPECIFICATION

Material	Stainless Steel 1.25 mm or 1.5 mm, 1.4301/304
Surface Finish	Grinded, Grain 240
Protection	IP 66, EN 60529
Gasket	VMQ (Silicone)
Lid Screw	Stainless Steel 1.4301 (A2), Captive
Tightening Torque	2 to 4 Nm
Service Temperature	-40°C to +80°C
Process Control System	ISO 9001 - 2015

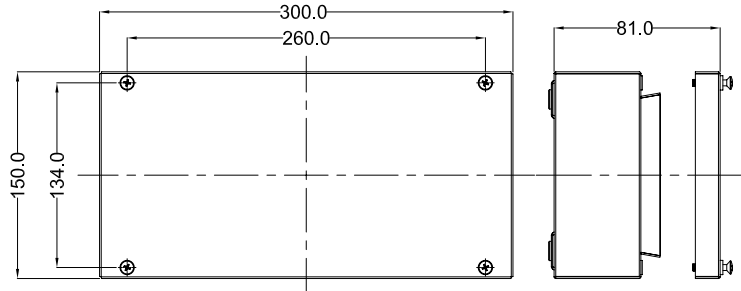
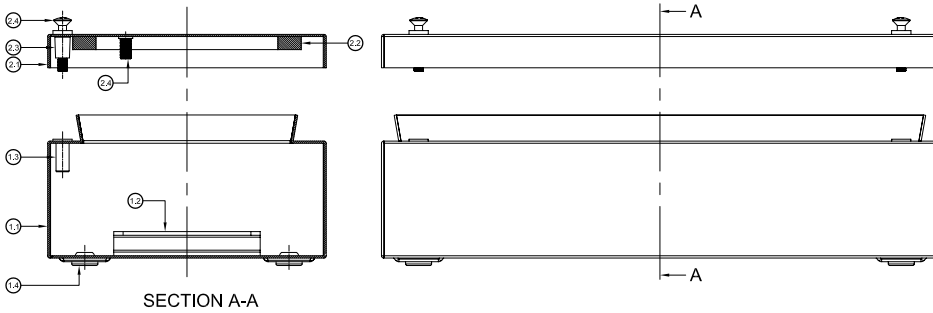
AVAILABLE ON DEMAND

DIN Rail:	TS 35
Mounting Plate:	Yes
External Mounting Brackets	Yes
Hinges:	Yes
Material:	Other material on request

SSJ07

TR-CU
RUSSIA

IP66



PRODUCT SPECIFICATION

Dim (LxWxH):	300 x 150 x 81
Model No:	SSJ7
Order No:	SSJ7
Weight (gm):	1256.01

TECHNICAL SPECIFICATION

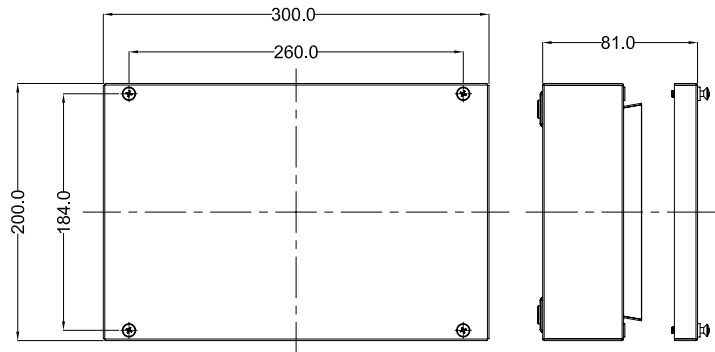
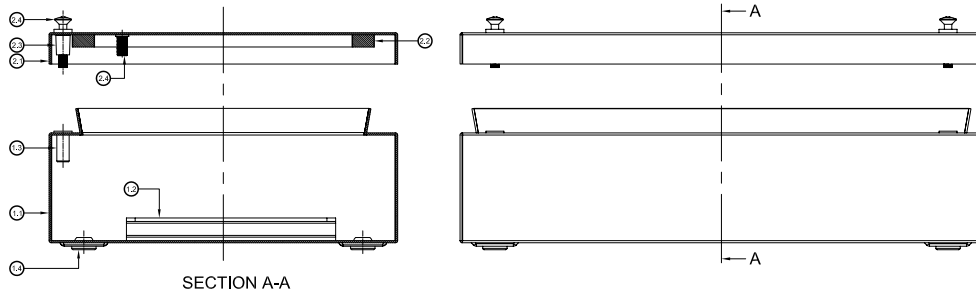
Material	Stainless Steel 1.25 mm or 1.5 mm, 1.4301/304
Surface Finish	Grinded, Grain 240
Protection	IP 66, EN 60529
Gasket	VMQ (Silicone)
Lid Screw	Stainless Steel 1.4301 (A2), Captive
Tightening Torque	2 to 4 Nm
Service Temperature	-40°C to +80°C
Process Control System	ISO 9001 - 2015

AVAILABLE ON DEMAND

DIN Rail:	TS 35
Mounting Plate:	Yes
External Mounting Brackets	Yes
Hinges:	Yes
Material:	Other material on request

TR-CU
RUSSIA

IP66



PRODUCT SPECIFICATION

Dim (LxWxH):	300 x 200 x 81
Model No:	SSJ8
Order No:	SSJ8
Weight (gm):	2135.48

TECHNICAL SPECIFICATION

Material	Stainless Steel 1.25 mm or 1.5 mm, 1.4301/304
Surface Finish	Grinded, Grain 240
Protection	IP 66, EN 60529
Gasket	VMQ (Silicone)
Lid Screw	Stainless Steel 1.4301 (A2), Captive
Tightening Torque	2 to 4 Nm
Service Temperature	-40°C to +80°C
Process Control System	ISO 9001 - 2015

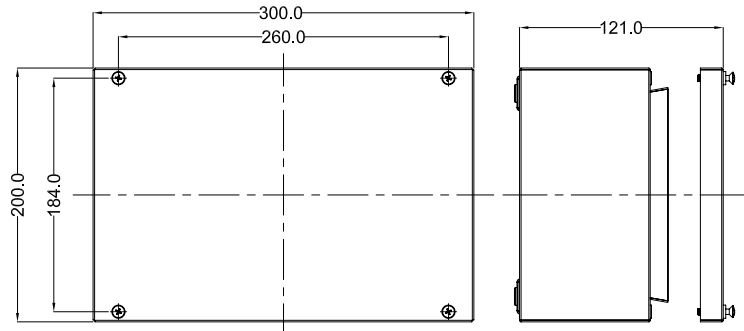
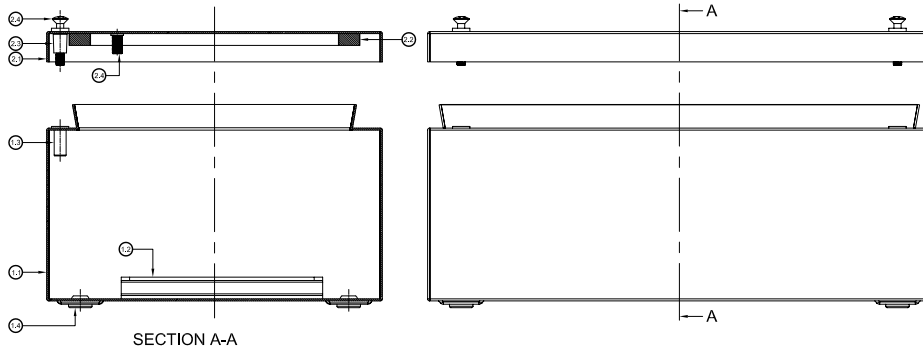
AVAILABLE ON DEMAND

DIN Rail:	TS 35
Mounting Plate:	Yes
External Mounting Brackets	Yes
Hinges:	Yes
Material:	Other material on request

SSJ09

TR-CU
RUSSIA

IP66



PRODUCT SPECIFICATION

Dim (LxWxH):	300 x 200 x 121
Model No:	SSJ9
Order No:	SSJ9
Weight (gm):	2495.6

TECHNICAL SPECIFICATION

Material	Stainless Steel 1.25 mm or 1.5 mm, 1.4301/304
Surface Finish	Grinded, Grain 240
Protection	IP 66, EN 60529
Gasket	VMQ (Silicone)
Lid Screw	Stainless Steel 1.4301 (A2), Captive
Tightening Torque	2 to 4 Nm
Service Temperature	-40°C to +80°C
Process Control System	ISO 9001 - 2015

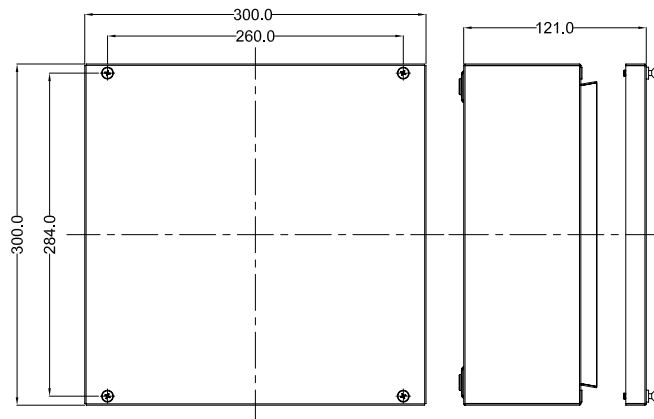
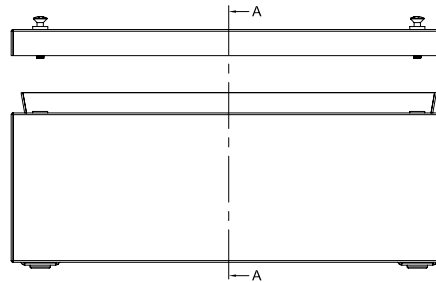
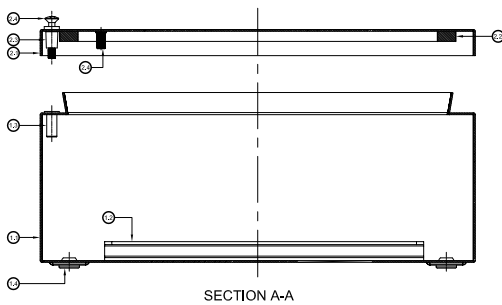
AVAILABLE ON DEMAND

DIN Rail:	TS 35
Mounting Plate:	Yes
External Mounting Brackets	Yes
Hinges:	Yes
Material:	Other material on request

SSJ10

TR-CU
RUSSIA

IP66



PRODUCT SPECIFICATION

Dim (LxWxH):	300 x 300 x 121
Model No:	SSJ10
Order No:	SSJ10
Weight (gm):	3338.61

TECHNICAL SPECIFICATION

Material	Stainless Steel 1.25 mm or 1.5 mm, 1.4301/304
Surface Finish	Grinded, Grain 240
Protection	IP 66, EN 60529
Gasket	VMQ (Silicone)
Lid Screw	Stainless Steel 1.4301 (A2), Captive
Tightening Torque	2 to 4 Nm
Service Temperature	-40°C to +80°C
Process Control System	ISO 9001 - 2015

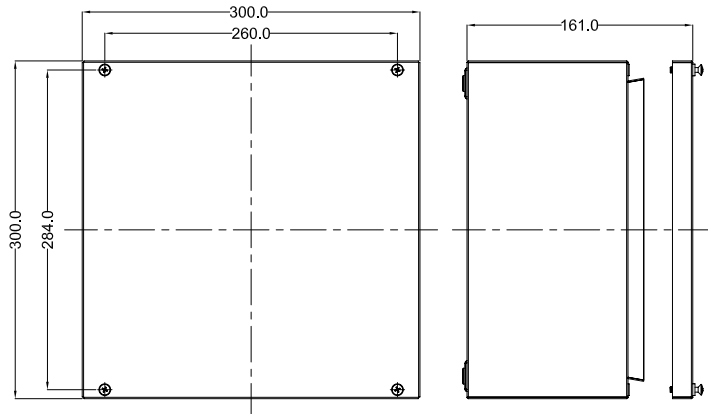
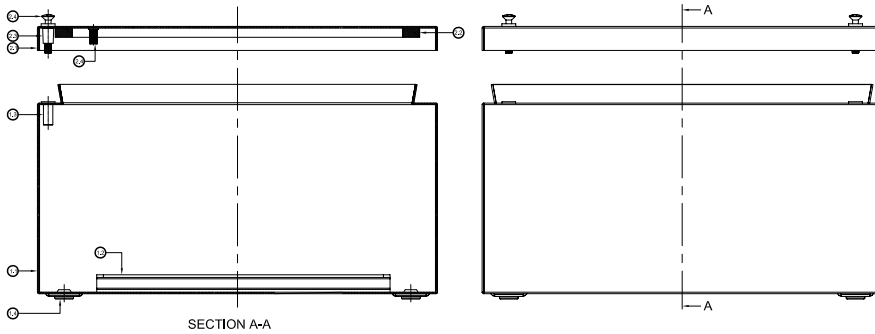
AVAILABLE ON DEMAND

DIN Rail:	TS 35
Mounting Plate:	Yes
External Mounting Brackets	Yes
Hinges:	Yes
Material:	Other material on request

SSJ11

TR-CU
RUSSIA

IP66



PRODUCT SPECIFICATION

Dim (LxWxH):	300 x 300 x 161
Model No:	SSJ11
Order No:	SSJ11
Weight (gm):	3795.36

TECHNICAL SPECIFICATION

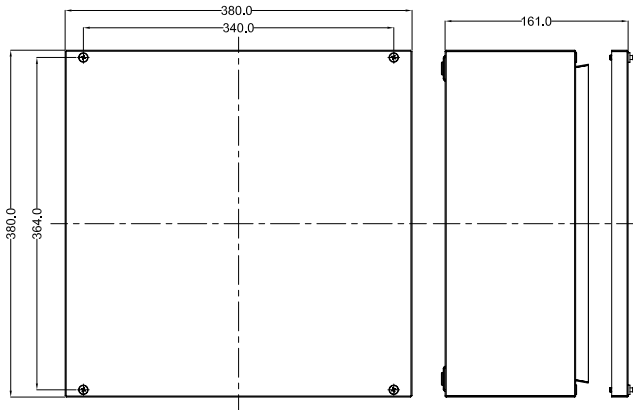
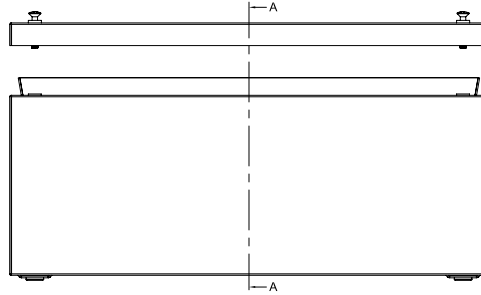
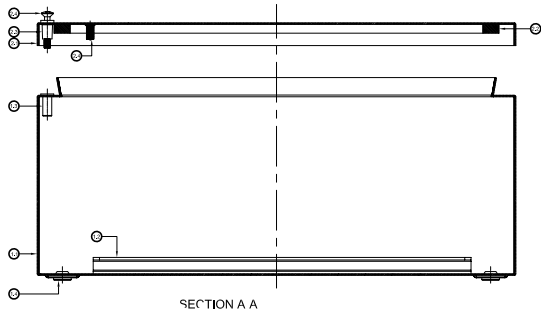
Material	Stainless Steel 1.25 mm or 1.5 mm, 1.4301/304
Surface Finish	Grinded, Grain 240
Protection	IP 66, EN 60529
Gasket	VMQ (Silicone)
Lid Screw	Stainless Steel 1.4301 (A2), Captive
Tightening Torque	2 to 4 Nm
Service Temperature	-40°C to +80°C
Process Control System	ISO 9001 - 2015

AVAILABLE ON DEMAND

DIN Rail:	TS 35
Mounting Plate:	Yes
External Mounting Brackets	Yes
Hinges:	Yes
Material:	Other material on request

TR-CU
RUSSIA

IP66



PRODUCT SPECIFICATION

Dim (LxWxH):	380 x 380 x 161
Model No:	SSJ12
Order No:	SSJ12
Weight (gm):	5401.58

TECHNICAL SPECIFICATION

Material	Stainless Steel 1.25 mm or 1.5 mm, 1.4301/304
Surface Finish	Grinded, Grain 240
Protection	IP 66, EN 60529
Gasket	VMQ (Silicone)
Lid Screw	Stainless Steel 1.4301 (A2), Captive
Tightening Torque	2 to 4 Nm
Service Temperature	-40°C to +80°C
Process Control System	ISO 9001 - 2015

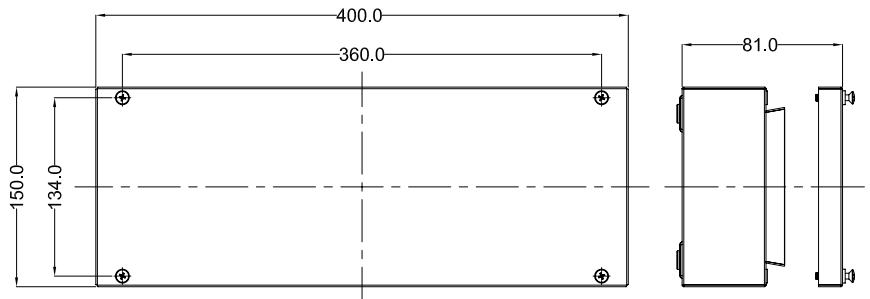
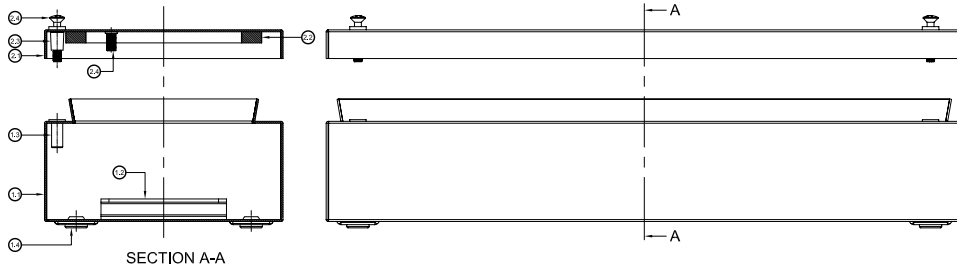
AVAILABLE ON DEMAND

DIN Rail:	TS 35
Mounting Plate:	Yes
External Mounting Brackets	Yes
Hinges:	Yes
Material:	Other material on request

SSJ13

TR-CU
RUSSIA

IP66



PRODUCT SPECIFICATION

Dim (LxWxH):	400 x 150 x 81
Model No:	SSJ13
Order No:	SSJ13
Weight (gm):	2225.05

TECHNICAL SPECIFICATION

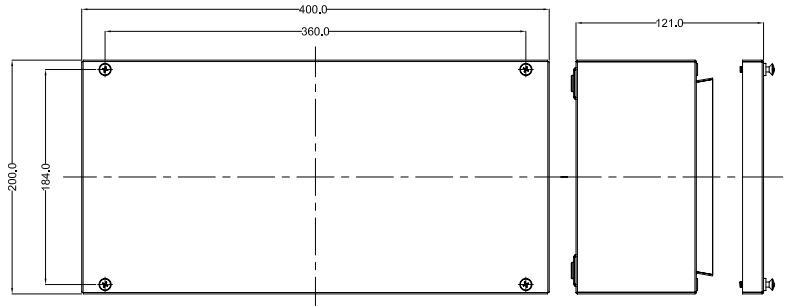
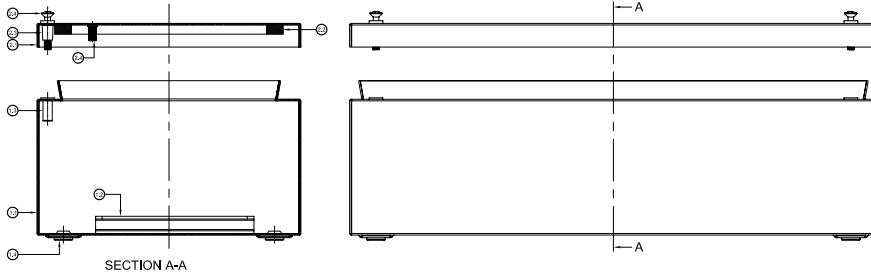
Material	Stainless Steel 1.25 mm or 1.5 mm, 1.4301/304
Surface Finish	Grinded, Grain 240
Protection	IP 66, EN 60529
Gasket	VMQ (Silicone)
Lid Screw	Stainless Steel 1.4301 (A2), Captive
Tightening Torque	2 to 4 Nm
Service Temperature	-40°C to +80°C
Process Control System	ISO 9001 - 2015

AVAILABLE ON DEMAND

DIN Rail:	TS 35
Mounting Plate:	Yes
External Mounting Brackets	Yes
Hinges:	Yes
Material:	Other material on request

TR-CU
RUSSIA

IP66



PRODUCT SPECIFICATION

Dim (LxWxH):	400 x 200 x 121
Model No:	SSJ14
Order No:	SSJ14
Weight (gm):	3161.04

TECHNICAL SPECIFICATION

Material	Stainless Steel 1.25 mm or 1.5 mm, 1.4301/304
Surface Finish	Grinded, Grain 240
Protection	IP 66, EN 60529
Gasket	VMQ (Silicone)
Lid Screw	Stainless Steel 1.4301 (A2), Captive
Tightening Torque	2 to 4 Nm
Service Temperature	-40°C to +80°C
Process Control System	ISO 9001 - 2015

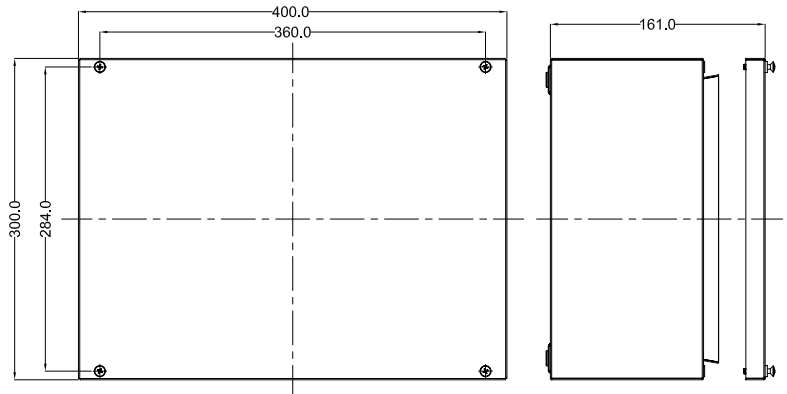
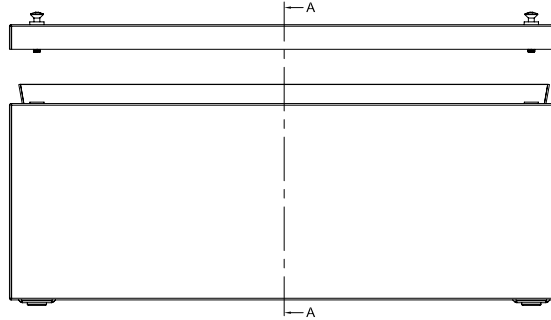
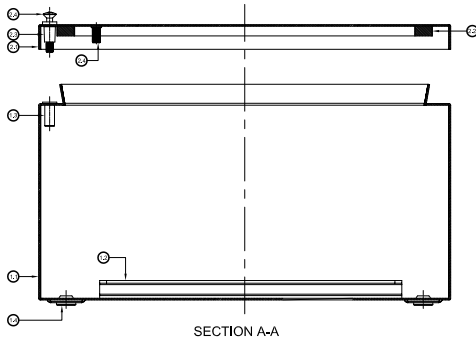
AVAILABLE ON DEMAND

DIN Rail:	TS 35
Mounting Plate:	Yes
External Mounting Brackets	Yes
Hinges:	Yes
Material:	Other material on request

SSJ15

TR-CU
RUSSIA

IP66



PRODUCT SPECIFICATION

Dim (LxWxH):	400 x 300 x 161
Model No:	SSJ15
Order No:	SSJ15
Weight (gm):	4729.7

TECHNICAL SPECIFICATION

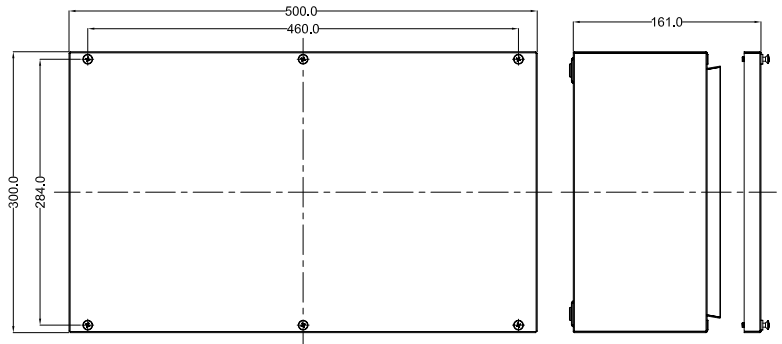
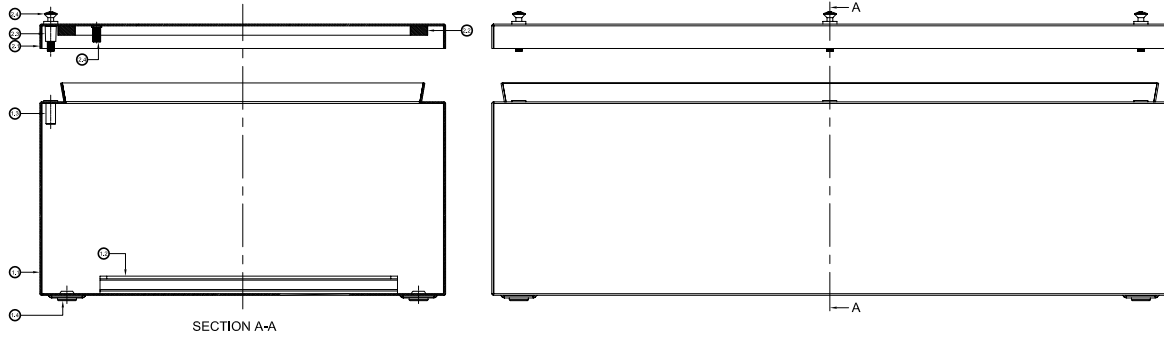
Material	Stainless Steel 1.25 mm or 1.5 mm, 1.4301/304
Surface Finish	Grinded, Grain 240
Protection	IP 66, EN 60529
Gasket	VMQ (Silicone)
Lid Screw	Stainless Steel 1.4301 (A2), Captive
Tightening Torque	2 to 4 Nm
Service Temperature	-40°C to +80°C
Process Control System	ISO 9001 - 2015

AVAILABLE ON DEMAND

DIN Rail:	TS 35
Mounting Plate:	Yes
External Mounting Brackets	Yes
Hinges:	Yes
Material:	Other material on request

TR-CU
RUSSIA

IP66



PRODUCT SPECIFICATION

Dim (LxWxH):	500 x 300 x 161
Model No:	SSJ16
Order No:	SSJ16
Weight (gm):	5663.91

TECHNICAL SPECIFICATION

Material	Stainless Steel 1.25 mm or 1.5 mm, 1.4301/304
Surface Finish	Grinded, Grain 240
Protection	IP 66, EN 60529
Gasket	VMQ (Silicone)
Lid Screw	Stainless Steel 1.4301 (A2), Captive
Tightening Torque	2 to 4 Nm
Service Temperature	-40°C to +80°C
Process Control System	ISO 9001 - 2015

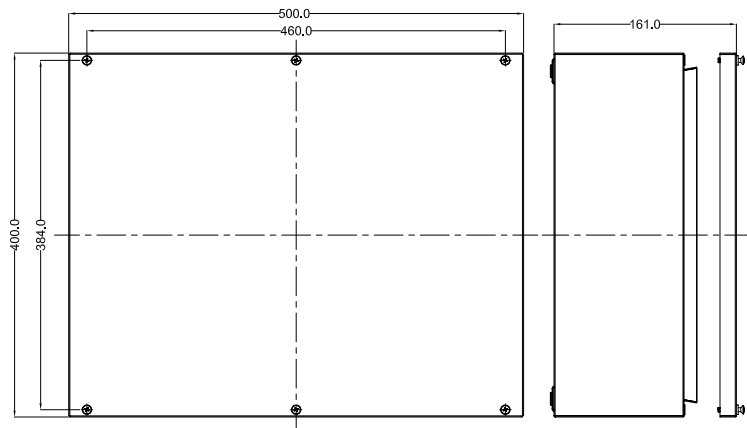
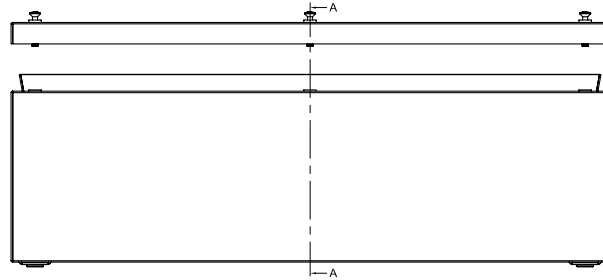
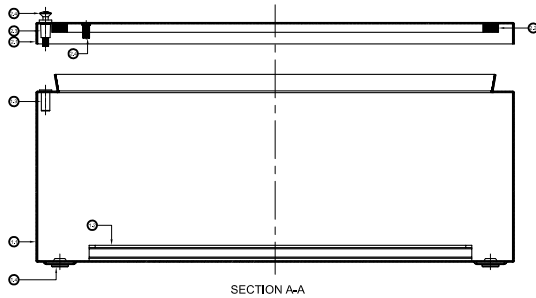
AVAILABLE ON DEMAND

DIN Rail:	TS 35
Mounting Plate:	Yes
External Mounting Brackets	Yes
Hinges:	Yes
Material:	Other material on request

SSJ17

TR-CU
RUSSIA

IP66



PRODUCT SPECIFICATION

Dim (LxWxH):	500 x 400 x 161
Model No:	SSJ17
Order No:	SSJ17
Weight (gm):	6967.68

TECHNICAL SPECIFICATION

Material	Stainless Steel 1.25 mm or 1.5 mm, 1.4301/304
Surface Finish	Grinded, Grain 240
Protection	IP 66, EN 60529
Gasket	VMQ (Silicone)
Lid Screw	Stainless Steel 1.4301 (A2), Captive
Tightening Torque	2 to 4 Nm
Service Temperature	-40°C to +80°C
Process Control System	ISO 9001 - 2015

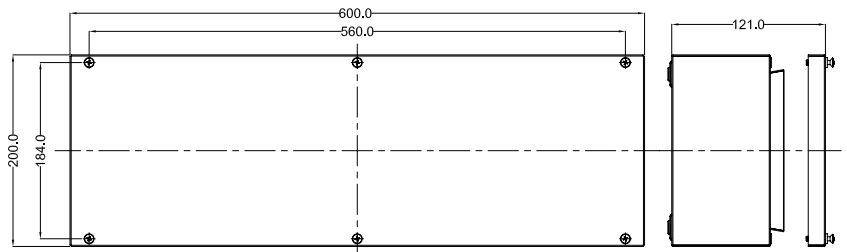
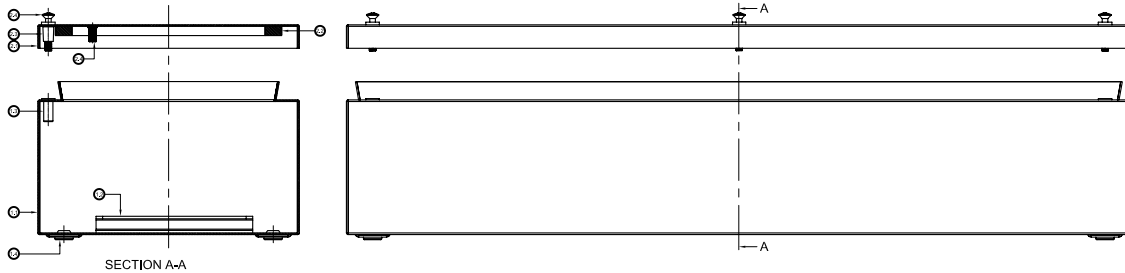
AVAILABLE ON DEMAND

DIN Rail:	TS 35
Mounting Plate:	Yes
External Mounting Brackets	Yes
Hinges:	Yes
Material:	Other material on request

SSJ18

TR-CU
RUSSIA

IP66



PRODUCT SPECIFICATION

Dim (LxWxH):	600 x 200 x 121
Model No:	SSJ18
Order No:	SSJ18
Weight (gm):	5589.62

TECHNICAL SPECIFICATION

Material	Stainless Steel 1.25 mm or 1.5 mm, 1.4301/304
Surface Finish	Grinded, Grain 240
Protection	IP 66, EN 60529
Gasket	VMQ (Silicone)
Lid Screw	Stainless Steel 1.4301 (A2), Captive
Tightening Torque	2 to 4 Nm
Service Temperature	-40°C to +80°C
Process Control System	ISO 9001 - 2015

AVAILABLE ON DEMAND

DIN Rail:	TS 35
Mounting Plate:	Yes
External Mounting Brackets	Yes
Hinges:	Yes
Material:	Other material on request

STEEL ENCLOSURES

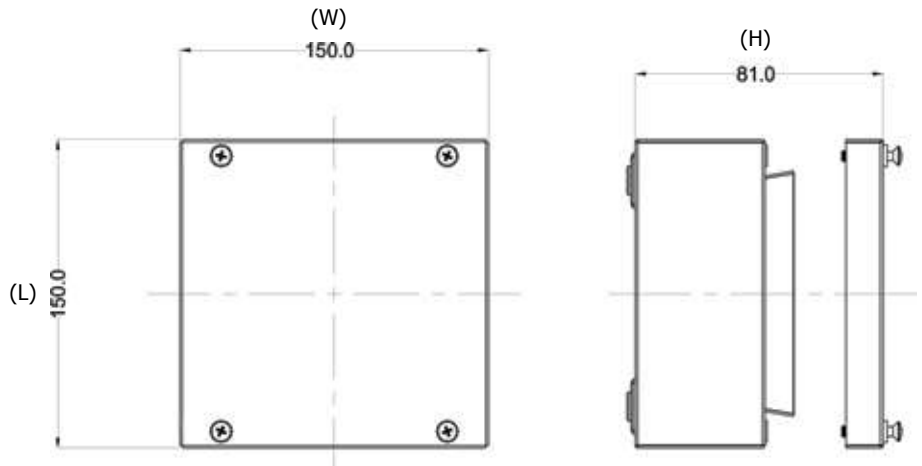
TR-CU
RUSSIA

IP66



STEEL

TR-CU
RUSSIA IP66



PRODUCT SPECIFICATION	
Dim (LxWxH):	150 x 150 x 81
Model No:	MSJ1
Order No:	MSJ1

TECHNICAL SPECIFICATION	
Material	Sheet Steel
Colour	RAL 7001, 7031, 7032, 7035, 7038, Black RAL 9004 other color on request
Protection	IP 65
Gasket	VMQ (Silicone)
Lid Screw	Stainless Steel 1.4301 (A2), Captive
Tightening Torque	2 to 4 N.m
Service Temperature	-40°C to +80°C
Process Control System	ISO 9001 - 2015

KEY FEATURES	
Value addition through machining of conduit holes	
Gasket options - Neoprene & EFD	
(High temperature resistant)	
Ingress Protection: Ip65	
TIG welded (Oxide free) for sound joints	
Powder coated finish (RAL color shade as per choice)	
Thickness 1.5 - 3 mm	
Stainless Steel screws	

AVAILABLE ON DEMAND	
DIN Rail:	TS 35
Mounting Plate:	Yes
External Mounting Brackets	Yes
Hinges:	Yes
Material:	Other material on request

APPLICATIONS	
Industrial Indoor & Outdoor	

AVAILABLE SIZES	
Part Code	Dimensions (LxWxH)
MSJ1	100X100X61
MSJ2	150X100X81
MSJ3	150X150X81
MSJ4	200X100X61
MSJ5	200X200X81
MSJ6	200X200X121
MSJ7	300X150X81
MSJ8	300X200X81
MSJ9	300X200X121
MSJ10	300X300X121
MSJ11	300X300X161
MSJ12	380X380X161
MSJ13	400X150X81
MSJ14	400X200X121
MSJ15	400X300X161
MSJ16	500X300X161
MSJ17	500X400X161
MSJ18	600X200X121

FIRE RATED ENCLOSURES

E30
E60
E90

CI 'C'
CI 'W'
CI 'Z'

IP
65/66



FIRE RATED JUNCTION BOX



PRODUCT SPECIFICATION

Rated Insulation Voltage	800 V
Current Carrying Capacity	57 A
Tightening Torque	1.2 Nm

REFERENCE STANDARD

Product design	IEC 62208:2011
Product testing	DIN 4102-12 BS 6387:2013 (Cat. C, W, Z) IEC 60529 (IP) IEC 62262 (impact)

PRODUCT CODE		DIMENSIONS				CERAMIC TERMINAL	
PART NO.	MODEL NO.	X	Y	Z	L	2 POLE	3 POLE
FRJ 01	FRJ-101080-A	100	100	80	18	1	1
FRJ 02	FRJ-151510-A	150	150	100	18	2	2
FRJ 03	FRJ-201510-A	200	150	100	18	4	3
FRJ 04	FRJ-202011-A	200	200	105	18	4	3
FRJ 05	FRJ-251510-A	250	150	100	18	5	3
FRJ 06	FRJ-352511-A	350	250	105	18	6	4

TECHNICAL SPECIFICATION

Material: sheet steel, powder-coated

Intrinsic fire resistance in accordance with DIN 4102 part 12 (German standard) in combination with Fire Survival cables & Ceramic terminal block

Intrinsic fire resistance from external flame, water & external impact with BS 6387:2013 in combination with Fire Survival cables & Ceramic terminal block

Protection against accidental contact is ensured by the enclosure

External brackets for mounting

Cable junction box for tunnel application for conductor cross-sections up to 4 mm²

Colour: Orange, RAL 2003 (Other color on request)

Resistance to impact: IK 10 (20 Joule)

Degree of protection: IP 66

Enclosure Type	DIN 4102 - 12 950°C (1742°F) in a closed Chamber, E90 Certification (Flame Only)	BS6387 'C' 950°C (1742°F) for 3 Hours (Flame Only)	BS6387 'Z' 950°C (1742°F) for 15 Minutes (External Impact)	BS6387 'W' 950°C (1202°F) for 30 Minutes (Water Spray)
FRJB Series	PASS	PASS	PASS	PASS

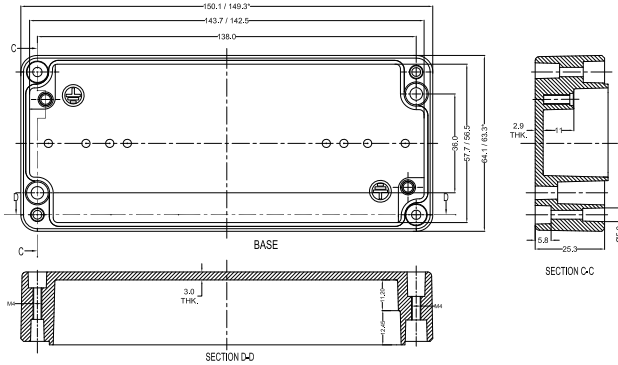
ALUMINIUM ENCLOSURES

Ex

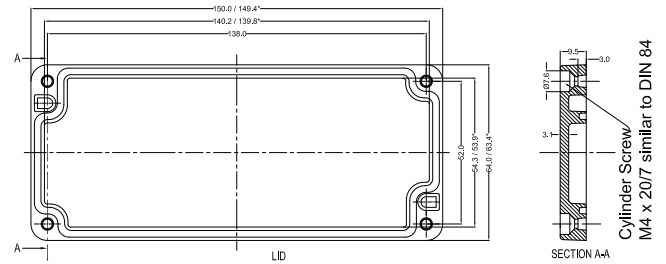




BASE



LID



Cylinder Screw
M4 x 20/7 similar to DIN 84

PRODUCT SPECIFICATION - EX

Dim (LxWxH):	150 X 64 X 34
Model No:	EX-AJB1506434-U
Order No :	EXRJ 03
Weight (gm):	280

TECHNICAL SPECIFICATION

Material	AlSi 12, as per DIN EN 1706
Colour	RAL 7001, 7031, 7032, 7035, 7038, Black RAL 9004
Protection	IP 66, EN 60529
Gasket	Silicone
Lid Screw	Captive Screw - SS1.4301 (A2) - M6
Tightening Torque	3 to 4 Nm
Impact Strength	Impact Energy 10 Joules - IK 09 EN 60068-2-75
Service Temperature	-50°C to +135°C
Surface	Painted / Non-Painted
Components	Fastening threads M6 in the enclosure bottom
Process Control System	ISO 9001 - 2015, IEC 80079 - 34 - 2011

AVAILABLE ON DEMAND - EX

DIN Rail	TS 35
Mounting Plate	Yes

MAXIMUM NO. OF TERMINALS

Cross Section (Sq. mm)	1.5	2.5	4	6
Qty	14	14	14	10

MAXIMUM NO. OF THREADED HOLES

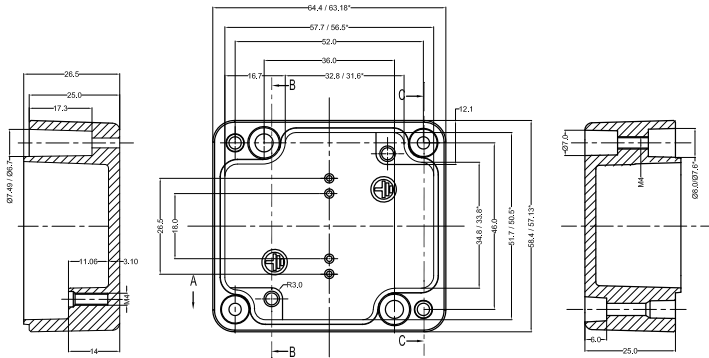
Opening Details	M12	M16	M20	M25	M32	M40	M50	M63
Face A/B	4	0	0	0	0	0	0	0
Face C/D	1	0	0	0	0	0	0	0

* Maximum No. of terminals depends on internal fitting

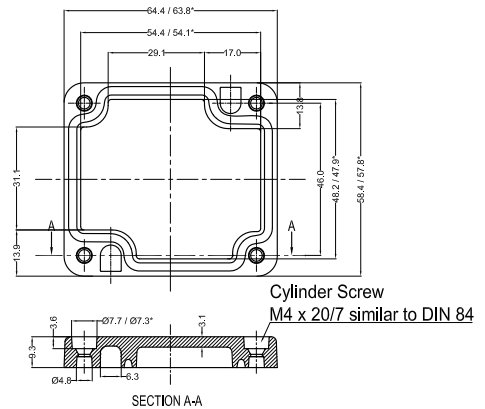
EXRJ04



BASE



LID



PRODUCT SPECIFICATION - EX

Dim (LxWxH):	58 X 64 X 34
Model No:	EX-AJB586434-U
Order No :	EXRJ04
Weight (gm):	136

TECHNICAL SPECIFICATION

Material	AISI 12, as per DIN EN 1706
Colour	RAL 7001, 7031, 7032, 7035, 7038, Black RAL 9004
Protection	IP66 as per IEC 60529 and IP69K as per DIN 4050-1993
Gasket	Silicone
Lid Screw	Captive Screw - SS1.4301 (A2) - M4
Tightening Torque	2 to 3 Nm
Impact Strength:	Impact Energy 10 Joules - IK 09 EN 60068-2-75
Service Temperature	-50°C to +135°C
Surface	Painted / Non - Painted
Components	Fastening threads M4 in the enclosure bottom
Process Control System	ISO 9001 - 2015, IEC 80079 - 34 - 2011

AVAILABLE ON DEMAND - EX

DIN Rail	TS 15
Mounting Plate	Yes

MAXIMUM NO. OF TERMINALS

Cross Section (Sq. mm)	1.5	2.5	4	6
Qty	0	0	0	0

MAXIMUM NO. OF THREADED HOLES

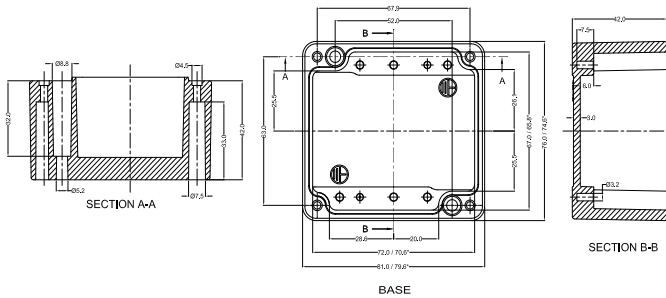
Opening Details	M12	M16	M20	M25	M32	M40	M50	M63
Face A/B	2	0	0	0	0	0	0	0
Face C/D	1	0	0	0	0	0	0	0

* Maximum No. of terminals depends on internal fitting

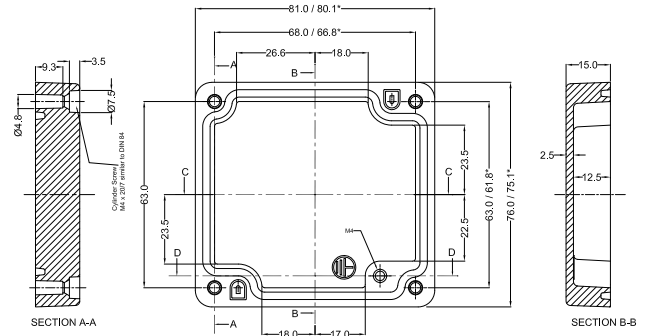
EXRJ05



BASE



LID



PRODUCT SPECIFICATION - EX

Dim (LxWxH):	75 X 80 X 571
Model No:	EX-AJB7580571-U
Order No :	EXRJ 05
Weight (gm):	320

TECHNICAL SPECIFICATION

Material	AISI 12
Colour	RAL 7001, 7031, 7032, 7035, 7038, Black RAL 9004, White RAL 9010
Protection	IP 66, EN 60529
Gasket	Silicone
Lid Screw	Captive Screw - SS1.4301 (A2) - M4
Tightening Torque	2 to 3 Nm
Impact Strength:	Impact Energy 10 Joules - IK 09 EN 60068-2-75
Service Temperature	-50°C to +135°C
Surface	Painted / Non - Painted
Components	Fastening threads M4 in the enclosure bottom
Process Control System	ISO 9001 - 2015, IEC 80079 - 34 - 2011

AVAILABLE ON DEMAND - EX

DIN Rail	TS 15
Mounting Plate	Yes

MAXIMUM NO. OF TERMINALS

Cross Section (Sq. mm)	1.5	2.5	4	6	10	16	25	35
Qty	10	9	0	0	0	0	0	0

MAXIMUM NO. OF THREADED HOLES

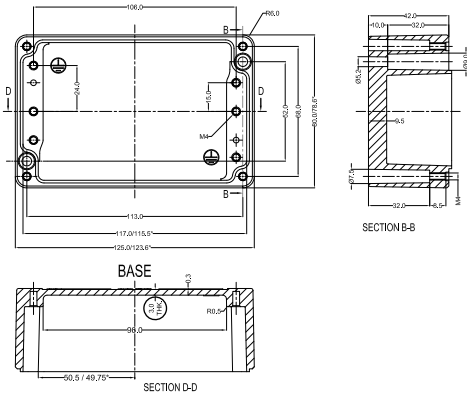
Opening Details	M12	M16	M20	M25	M32	M40	M50	M63
Face A/B	2	2	1	1	0	0	0	0
Face C/D	3	3	2	1	0	0	0	0

* Maximum No. of terminals depends on internal fitting

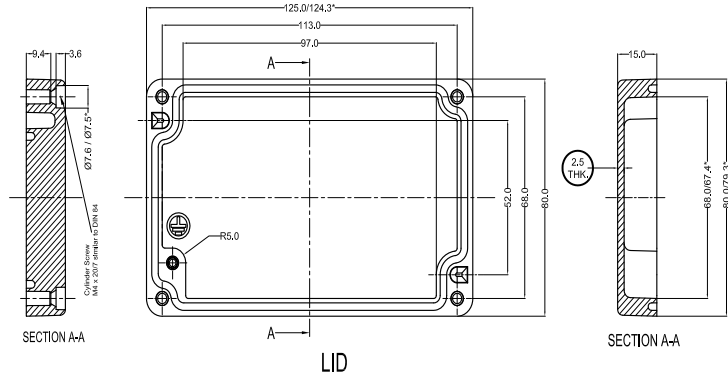
EXRJ06



BASE



LID



PRODUCT SPECIFICATION - EX	
Dim (LxWxH):	125 X 80 X 57
Model No:	EX-AJB1258057-U
Order No :	EXRJ 06
Weight (gm):	419

TECHNICAL SPECIFICATION	
Material	AISI 12
Colour	RAL 7001, 7031, 7032, 7035, 7038, Black RAL 9004, White RAL 9010
Protection	IP 66, EN 60529
Gasket	Silicone
Lid Screw	Captive Screw - SS1.4301 (A2) - M4
Tightening Torque	2 to 3 Nm
Impact Strength:	Impact Energy 10 Joules - IK 09 EN 60068-2-75
Service Temperature	-50°C to +135°C
Surface	Painted / Non - Painted
Components	Fastening threads M4 in the enclosure bottom
Process Control System	ISO 9001 - 2015, IEC 80079 - 34 - 2011

AVAILABLE ON DEMAND	
DIN Rail	TS 15
Mounting Plate	Yes

MAXIMUM NO. OF TERMINALS				
Cross Section (Sq. mm)	1.5	2.5	4	6
Qty	14	14	7	0

MAXIMUM NO. OF THREADED HOLES								
Opening Details	M12	M16	M20	M25	M32	M40	M50	M63
Face A/B	5	4	3	2	0	0	0	0
Face C/D	2	2	1	1	0	0	0	0

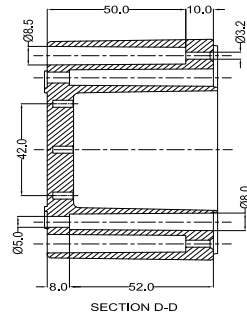
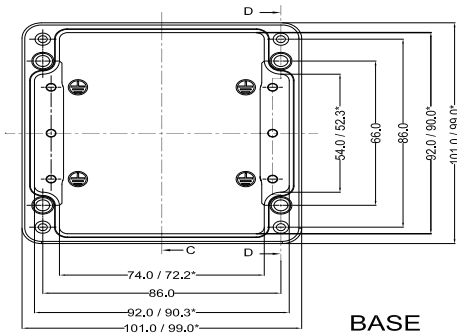
* Maximum No. of terminals depends on internal fitting

EXRJ09



BASE

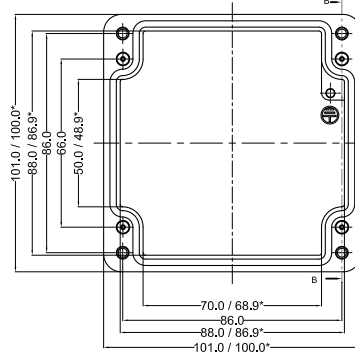
LID



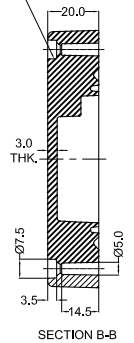
BASE

SECTION D-D

LID



Cylinder Screw
M4 x 24/7 similar to DIN 84



SECTION B-B

PRODUCT SPECIFICATION - EX	
Dim (LxWxH):	100 X 100 X 81
Model No:	EX-AJB10010081-U
Order No :	EXRJ 09
Weight (gm):	617

TECHNICAL SPECIFICATION	
Material	AISI 12
Colour	RAL 7001, 7031, 7032, 7035, 7038, Black RAL 9004, White RAL 9010
Protection	IP 66, EN 60529
Gasket	Silicone
Lid Screw	Captive Screw - SS1.4301 (A2) - M6
Tightening Torque	3 to 4 Nm
Impact Strength:	Impact Energy 10 Joules - IK 09 EN 60068-2-75
Service Temperature	-50°C to +135°C
Surface	Painted / Non - Painted
Components	Fastening threads M6 in the enclosure bottom
Process Control System	ISO 9001 - 2015, IEC 80079 - 34 - 2011

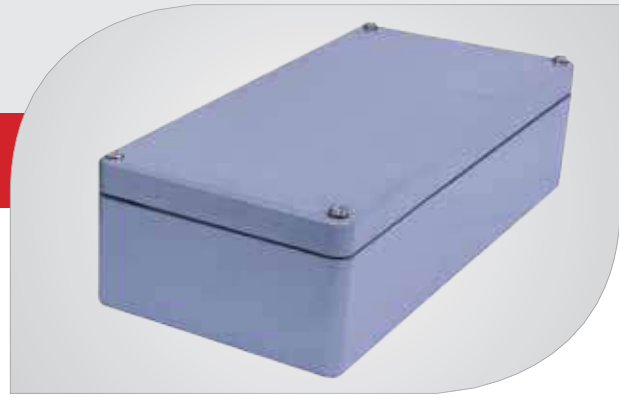
AVAILABLE ON DEMAND	
DIN Rail	TS 35
Mounting Plate	Yes

MAXIMUM NO. OF TERMINALS								
Cross Section (Sq. mm)	1.5	2.5	4	6	10	16	25	35
Qty	42	23	19	21	10	8	0	0

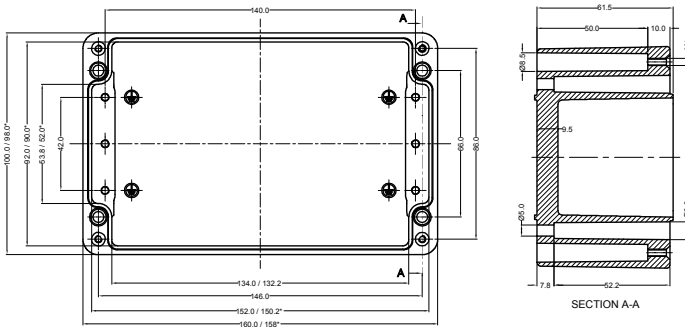
MAXIMUM NO. OF THREADED HOLES								
Opening Details	M12	M16	M20	M25	M32	M40	M50	M63
Face A/B	6	6	5	3	1	0	0	0
Face C/D	4	4	1	1	1	0	0	0

* Maximum No. of terminals depends on internal fitting

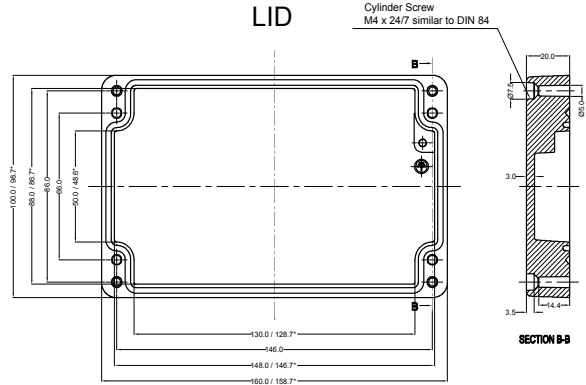
EXRJ10



BASE



LID



PRODUCT SPECIFICATION - EX

Dim (LxWxH):	160 X 100 X 81
Model No:	EX-AJB16010081-U
Order No :	EXRJ10
Weight (gm):	777

TECHNICAL SPECIFICATION

Material	AlSi 12
Colour	RAL 7001, 7031, 7032, 7035, 7038, Black RAL 9004, White RAL 9010
Protection	IP 66, EN 60529
Gasket	Silicone
Lid Screw	Captive Screw - SS1.4301 (A2) - M6
Tightening Torque	3 to 4 Nm
Impact Strength:	Impact Energy 10 Joules - IK 09 EN 60068-2-75
Service Temperature	-50°C to +135°C
Surface	Painted / Non - Painted
Components	Fastening threads M6 in the enclosure bottom
Process Control System	ISO 9001 - 2015, IEC 80079 - 34 - 2011

AVAILABLE ON DEMAND

DIN Rail	TS 35
Mounting Plate	Yes

MAXIMUM NO. OF TERMINALS

Cross Section (Sq. mm)	1.5	2.5	4	6	10	16	25	35
Qty	102	82	38	29	12	10	14	14

MAXIMUM NO. OF THREADED HOLES

Opening Details	M12	M16	M20	M25	M32	M40	M50	M63
Face A/B	10	10	9	3	3	0	0	0
Face C/D	4	4	3	1	1	0	0	0

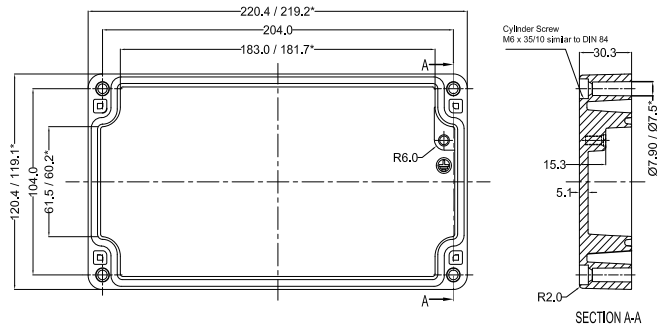
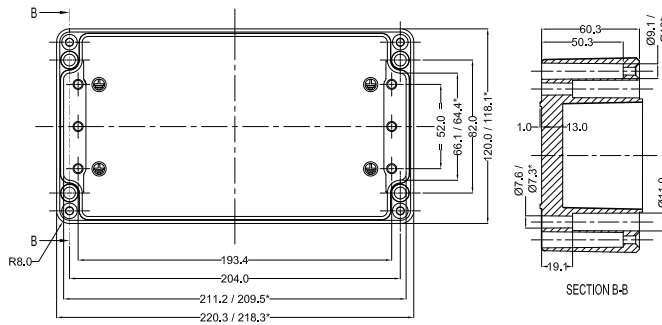
* Maximum No. of terminals depends on internal fitting

EXRJ12



BASE

LID



PRODUCT SPECIFICATION - EX

Dim (LxWxH):	220 X 120 X 90
Model No:	EX-AJB22012090-U
Order No :	EXRJ12
Weight (gm):	1502

TECHNICAL SPECIFICATION

Material	AISI 12
Colour	RAL 7001, 7031, 7032, 7035, 7038, Black RAL 9004, White RAL 9010
Protection	IP 66, EN 60529
Gasket	Silicone
Lid Screw	Captive Screw - SS1.4301 (A2) - M6
Tightening Torque	3 to 4 Nm
Impact Strength:	Impact Energy 10 Joules - IK 09 EN 60068-2-75
Service Temperature	-50°C to +135°C
Surface	Painted / Non - Painted
Components	Fastening threads M6 in the enclosure bottom
Process Control System	ISO 9001 - 2015, IEC 80079 - 34 - 2011

AVAILABLE ON DEMAND

DIN Rail	TS 35
Mounting Plate	Yes

MAXIMUM NO. OF TERMINALS

Cross Section (Sq. mm)	1.5	2.5	4	6	10	16	25	35	50	70
Qty	170	138	116	86	12	10	23	23	9	9

MAXIMUM NO. OF THREADED HOLES

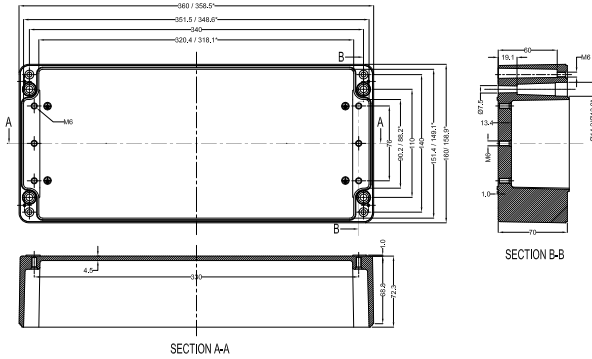
Opening Details	M12	M16	M20	M25	M32	M40	M50	M63
Face A/B	30	12	12	5	3	0	0	0
Face C/D	11	5	3	2	1	0	0	0

* Maximum No. of terminals depends on internal fitting

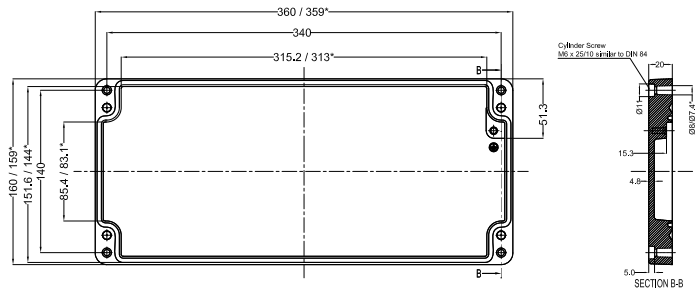
EXRJ14



BASE



LID



PRODUCT SPECIFICATION - EX	
Dim (LxWxH):	360 X 160 X 90
Model No:	EX-AJB36016090-U
Order No :	EXRJ14
Weight (gm):	2807

TECHNICAL SPECIFICATION	
Material	AlSi 12
Colour	RAL 7001, 7031, 7032, 7035, 7038, Black RAL 9004, White RAL 9010
Protection	IP 66, EN 60529
Gasket	Silicone
Lid Screw	Captive Screw - SS1.4301 (A2) - M6
Tightening Torque	3 to 4 Nm
Impact Strength	Impact Energy 10 Joules - IK 09 EN 60068-2-75
Service Temperature	-50°C to +135°C
Surface	Painted / Non - Painted
Components	Fastening threads M6 in the enclosure bottom
Process Control System	ISO 9001 - 2015, IEC 80079 - 34 - 2011

AVAILABLE ON DEMAND	
DIN Rail	TS 35
Mounting Plate	Yes

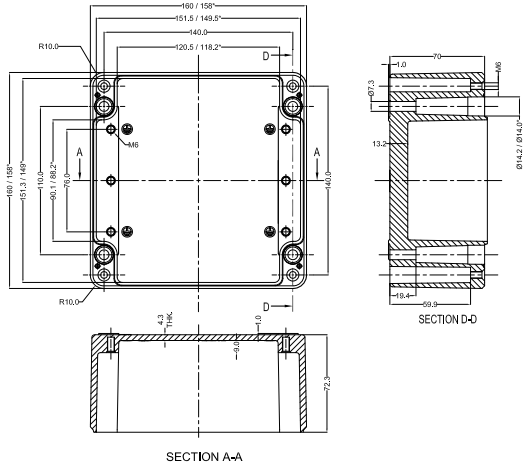
MAXIMUM NO. OF TERMINALS										
Cross Section (Sq. mm)	1.5	2.5	4	6	10	16	25	35	50	70
Qty	255	207	174	129	23	20	23	23	16	16

MAXIMUM NO. OF THREADED HOLES								
Opening Details	M12	M16	M20	M25	M32	M40	M50	M63
Face A/B	15	15	22	13	7	5	4	0
Face C/D	7	7	6	3	2	1	0	0

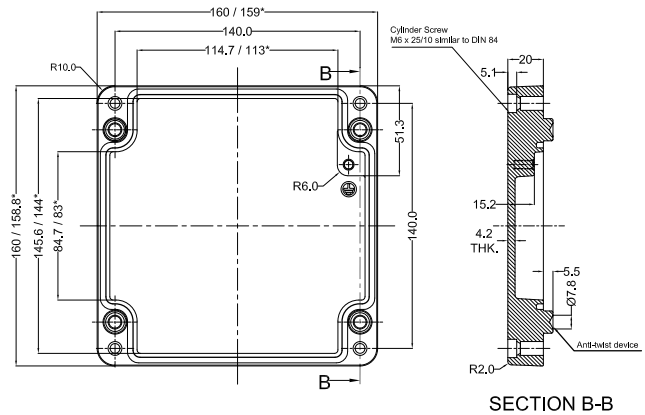
* Maximum No. of terminals depends on internal fitting



BASE



LID



PRODUCT SPECIFICATION - EX	
Dim (LxWxH):	160 X 160 X 91
Model No:	EX-AJB16016091-U
Order No :	EXRJ15
Weight (gm):	1538

TECHNICAL SPECIFICATION	
Material:	AlSi 12
Colour:	RAL 7001, 7031, 7032, 7035, 7038, Black RAL 9004, White RAL 9010
Protection:	IP 66, EN 60529
Gasket:	Silicone
Lid Screw:	Captive Screw - SS1.4301 (A2) - M6
Tightening Torque	3 to 4 Nm
Impact Strength	Impact Energy 10 Joules - IK 09 EN 60068-2-75
Service Temperature	-50°C to +135°C
Surface:	Painted / Non - Painted
Components	Fastening threads M6 in the enclosure bottom
Process Control System	ISO 9001 - 2015, IEC 80079 - 34 - 2011

AVAILABLE ON DEMAND	
DIN Rail	TS 35
Mounting Plate	Yes

MAXIMUM NO. OF TERMINALS										
Cross Section (Sq. mm)	1.5	2.5	4	6	10	16	25	35	50	70
Qty	255	207	174	129	23	20	23	23	16	16

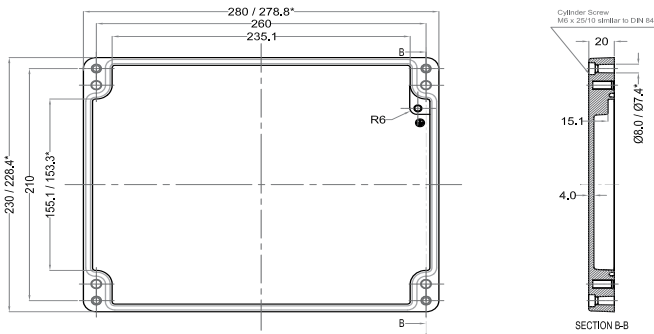
MAXIMUM NO. OF THREADED HOLES								
Opening Details	M12	M16	M20	M25	M32	M40	M50	M63
Face A/B	11	11	8	5	3	2	2	0
Face C/D	7	7	6	3	2	1	0	0

* Maximum No. of terminals depends on internal fitting

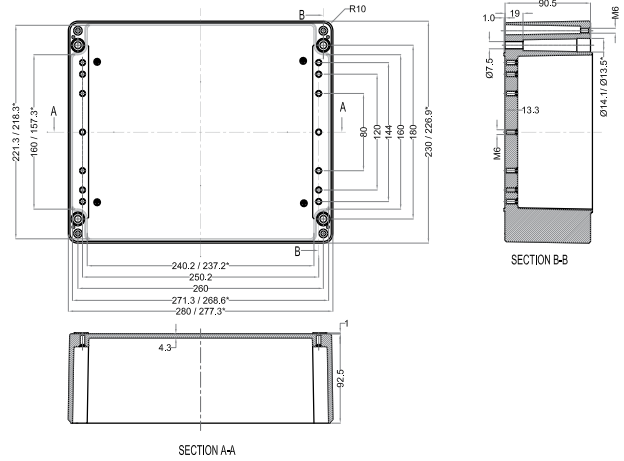
EXRJ17



BASE



LID



PRODUCT SPECIFICATION - EX	
Dim (LxWxH):	280 X 230 X 110
Model No:	EX-AJB280230110-U
Order No :	RJ17
Weight (gm):	3115

TECHNICAL SPECIFICATION	
Material	AlSi 12
Colour	RAL 7001, 7031, 7032, 7035, 7038, Black RAL 9004, White RAL 9010
Protection	IP 66, EN 60529
Gasket	Silicone
Lid Screw	Captive Screw - SS1.4301 (A2) - M6
Tightening Torque	3 to 4 Nm
Impact Strength	Impact Energy 10 Joules - IK 09 EN 60068-2-75
Service Temperature	-50°C to +135°C
Surface	Painted / Non - Painted
Components	Fastening threads M6 in the enclosure bottom
Process Control System	ISO 9001 - 2015, IEC 80079 - 34 - 2011

AVAILABLE ON DEMAND	
DIN Rail	TS35
Mounting Plate	Yes

MAXIMUM NO. OF TERMINALS										
Cross Section (Sq. mm)	1.5	2.5	4	6	10	16	25	35	50	70
Qty	255	207	174	129	23	20	23	23	16	16

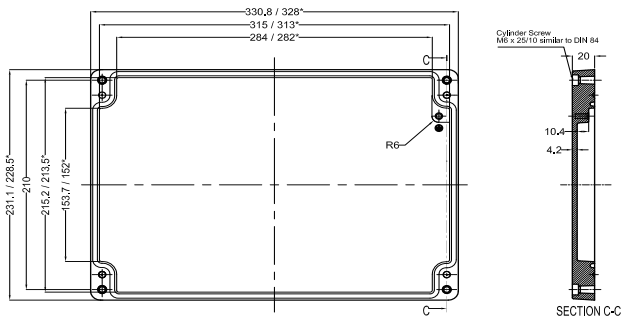
MAXIMUM NO. OF THREADED HOLES								
Opening Details	M12	M16	M20	M25	M32	M40	M50	M63
Face A/B	27	27	24	12	7	4	3	3
Face C/D	18	18	14	8	4	2	2	2

* Maximum No. of terminals depends on internal fitting

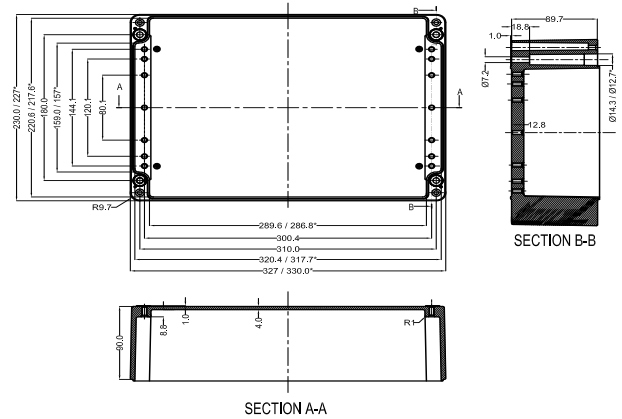
EXRJ18



BASE



LID



PRODUCT SPECIFICATION - EX	
Dim (LxWxH):	330 X 230 X 110
Model No:	EX-AJB330230110-U
Order No :	EXRJ18
Weight (gm):	3573

TECHNICAL SPECIFICATION	
Material	AISI 12
Colour	RAL 7001, 7031, 7032, 7035, 7038, Black RAL 9004, White RAL 9010
Protection	IP 66, EN 60529
Gasket	Silicone
Lid Screw	Captive Screw - SS1.4301 (A2) - M6
Tightening Torque	3 to 4 Nm
Impact Strength	Impact Energy 10 Joules - IK 09 EN 60068-2-75
Service Temperature	-50°C to +135°C
Surface	Painted / Non - Painted
Components	Fastening threads M6 in the enclosure bottom
Process Control System	ISO 9001 - 2015, IEC 80079 - 34 - 2011

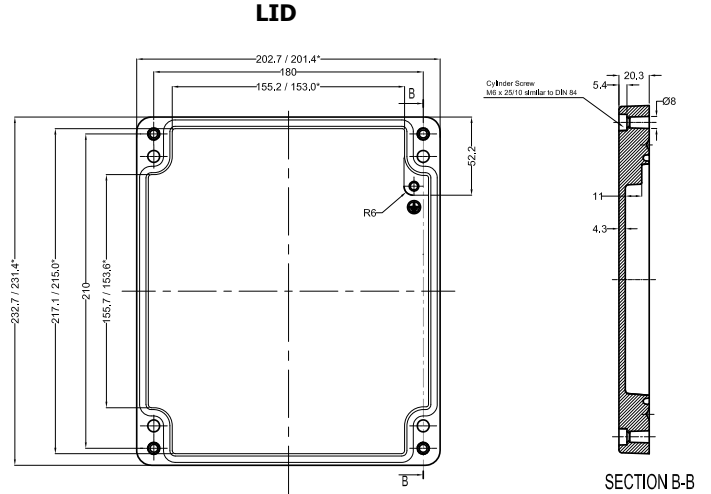
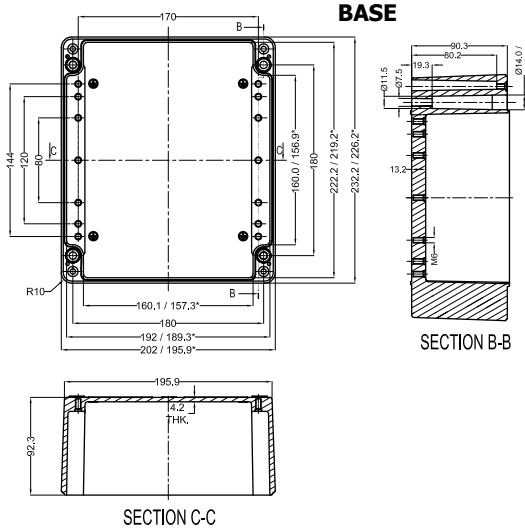
AVAILABLE ON DEMAND	
DIN Rail	TS35
Mounting Plate	Yes

MAXIMUM NO. OF TERMINALS										
Cross Section (Sq. mm)	1.5	2.5	4	6	10	16	25	35	50	70
Qty	255	207	174	129	23	20	23	23	16	16

MAXIMUM NO. OF THREADED HOLES								
Opening Details	M12	M16	M20	M25	M32	M40	M50	M63
Face A/B	13	13	30	14	11	5	4	3
Face C/D	7	7	14	8	3	3	2	2

* Maximum No. of terminals depends on internal fitting

EXRJ19



PRODUCT SPECIFICATION - EX	
Dim (LxWxH):	230 X 200 X 110
Model No:	EX-AJB230200110-U
Order No :	EXRJ19
Weight (gm):	2578

TECHNICAL SPECIFICATION	
Material	AlSi 12
Colour	RAL 7001, 7031, 7032, 7035, 7038, Black RAL 9004, White RAL 9010
Protection	IP 66, EN 60529
Gasket	Silicone
Lid Screw	Captive Screw - SS1.4301 (A2) - M6
Tightening Torque	3 to 4 Nm
Impact Strength	Impact Energy 10 Joules - IK 09 EN 60068-2-75
Service Temperature	-50°C to +135°C
Surface	Painted / Non - Painted
Components	Fastening threads M6 in the enclosure bottom
Process Control System	ISO 9001 - 2015, IEC 80079 - 34 - 2011

AVAILABLE ON DEMAND	
DIN Rail	TS35
Mounting Plate	Yes

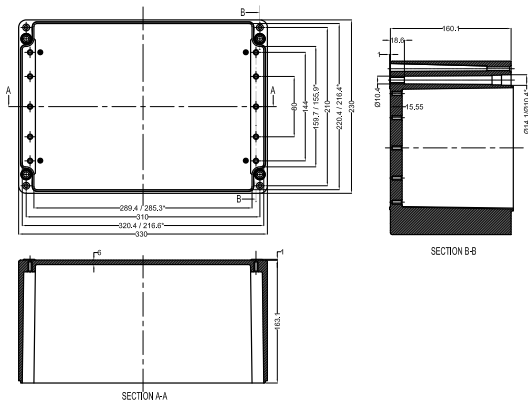
MAXIMUM NO. OF TERMINALS										
Cross Section (Sq. mm)	1.5	2.5	4	6	10	16	25	35	50	70
Qty	255	207	174	129	23	20	23	23	16	16

MAXIMUM NO. OF THREADED HOLES								
Opening Details	M12	M16	M20	M25	M32	M40	M50	M63
Face A/B	18	18	14	8	4	2	2	4
Face C/D	18	18	15	8	5	2	2	2

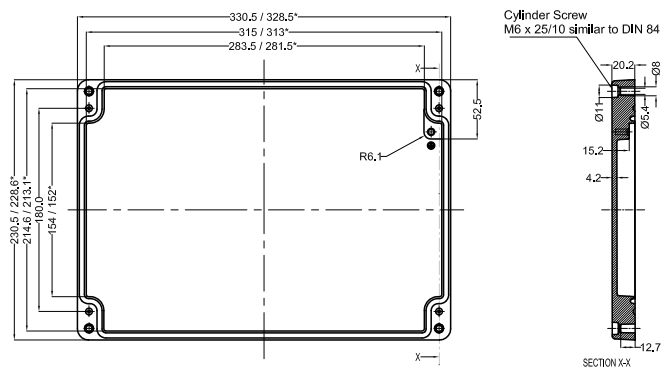
* Maximum No. of terminals depends on internal fitting



BASE



LID



PRODUCT SPECIFICATION-EX	
Dim (LxWxH):	330 X 230 X 180
Model No:	EX-AJB330230180-U
Order No :	EXRJ20
Weight (gm):	5723

TECHNICAL SPECIFICATION	
Material	AISI 12
Colour	RAL 7001, 7031, 7032, 7035, 7038, Black RAL 9004, White RAL 9010
Protection	IP 66, EN 60529
Gasket	Silicone
Lid Screw	Captive Screw - SS1.4301 (A2) - M6
Tightening Torque	3 to 4 Nm
Impact Strength	Impact Energy 10 Joules - IK 09 EN 60068-2-75
Service Temperature	-50°C to +135°C
Surface	Painted / Non - Painted
Components	Fastening threads M6 in the enclosure bottom
Process Control System	ISO 9001 - 2015, IEC 80079 - 34 - 2011

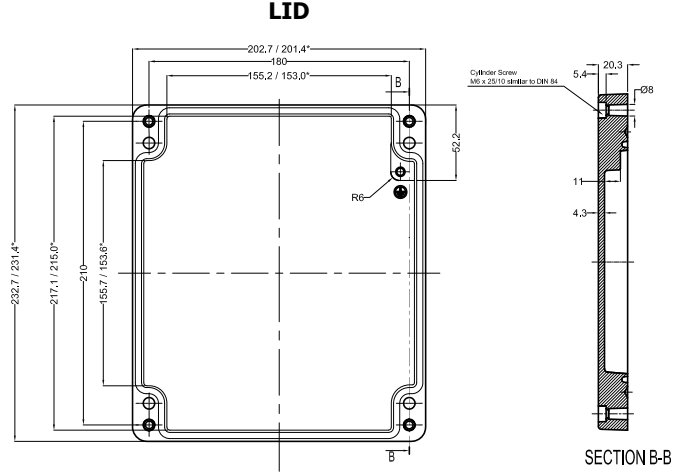
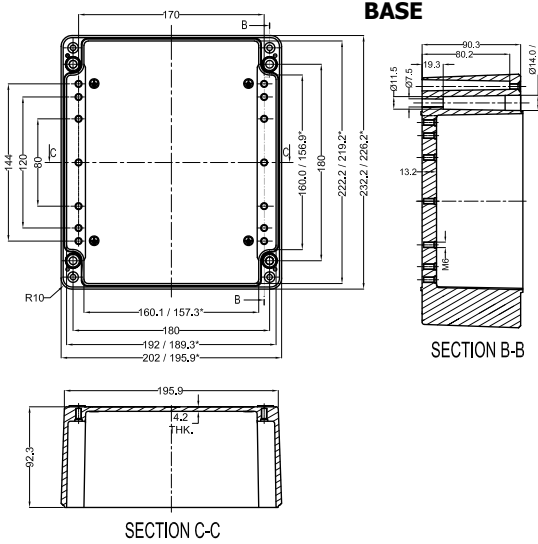
AVAILABLE ON DEMAND	
DIN Rail	TS35
Mounting Plate	Yes

MAXIMUM NO. OF TERMINALS										
Cross Section (Sq. mm)	1.5	2.5	4	6	10	16	25	35	50	70
Qty	255	207	174	129	23	20	23	23	16	16

MAXIMUM NO. OF THREADED HOLES								
Opening Details	M12	M16	M20	M25	M32	M40	M50	M63
Face A/B	13	13	30	14	11	5	4	3
Face C/D	7	7	14	8	3	3	2	2

* Maximum No. of terminals depends on internal fitting

EXRJ21



PRODUCT SPECIFICATION-EX	
Dim (LxWxH):	220 X 120 X 81
Model No:	EX-AJB22012081-U
Order No :	EXRJ21
Weight (gm):	1377

TECHNICAL SPECIFICATION	
Material:	AISI 12
Colour:	RAL 7001, 7031, 7032, 7035, 7038, Black RAL 9004, White RAL 9010
Protection:	IP 66, EN 60529
Gasket:	Silicone
Lid Screw:	Captive Screw - SS1.4301 (A2) - M6
Tightening Torque	3 to 4 Nm
Impact Strength	Impact Energy 10 Joules - IK 09 EN 60068-2-75
Service Temperature	-50°C to +135°C
Surface:	Painted / Non - Painted
Components	Fastening threads M6 in the enclosure bottom
Process Control System	ISO 9001 - 2015, IEC 80079 - 34 - 2011

AVAILABLE ON DEMAND	
DIN Rail	TS35
Mounting Plate	Yes

MAXIMUM NO. OF TERMINALS								
Cross Section (Sq. mm)	1.5	2.5	4	6	10	16	25	35
Qty	76	23	19	15	12	10	20	8

MAXIMUM NO. OF THREADED HOLES								
Opening Details	M12	M16	M20	M25	M32	M40	M50	M63
Face A/B	30	12	12	5	3	0	0	0
Face C/D	11	5	3	2	1	0	0	0

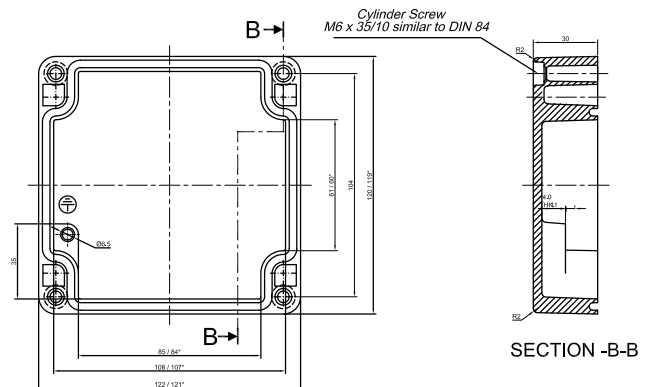
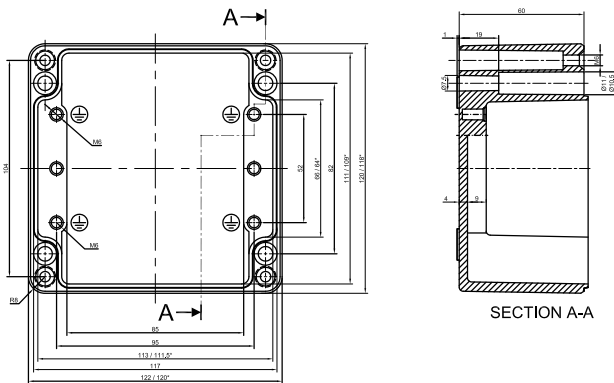
* Maximum No. of terminals depends on internal fitting

EXRJ22



BASE

LID



PRODUCT SPECIFICATION - EX	
Dim (LxWxH):	120 X 120 X 91
Model No:	EX-AJB12012091-U
Order No :	EXRJ22
Weight (gm):	999

TECHNICAL SPECIFICATION	
Material	AlSi 12
Colour	RAL 7001, 7031, 7032, 7035, 7038, Black RAL 9004, White RAL 9010
Protection	IP 66, EN 60529
Gasket	Silicone
Lid Screw	Captive Screw - SS1.4301 (A2) - M6
Tightening Torque	3 to 4 Nm
Impact Strength	Impact Energy 10 Joules - IK 09 EN 60068-2-75
Service Temperature	-50°C to +135°C
Surface	Painted / Non - Painted
Components	Fastening threads M6 in the enclosure bottom
Process Control System	ISO 9001 - 2015, IEC 80079 - 34 - 2011

AVAILABLE ON DEMAND	
DIN Rail	TS35
Mounting Plate	Yes

MAXIMUM NO. OF TERMINALS										
Cross Section (Sq. mm)	1.5	2.5	4	6	10	16	25	35	50	70
Qty	255	207	174	129	23	20	23	23	16	16

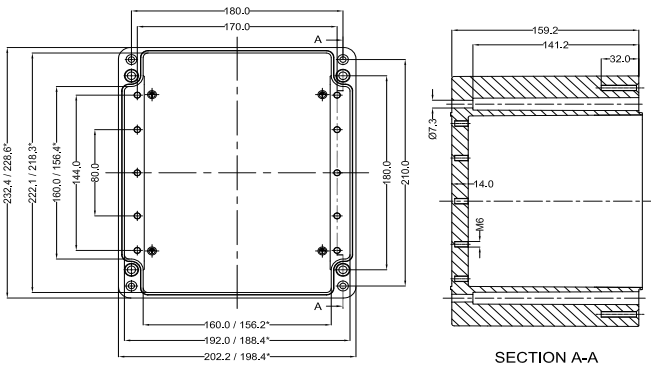
MAXIMUM NO. OF THREADED HOLES								
Opening Details	M12	M16	M20	M25	M32	M40	M50	M63
Face A/B	5	5	5	2	2	0	0	0
Face C/D	4	4	3	1	1	0	0	0

* Maximum No. of terminals depends on internal fitting

EXRJ30

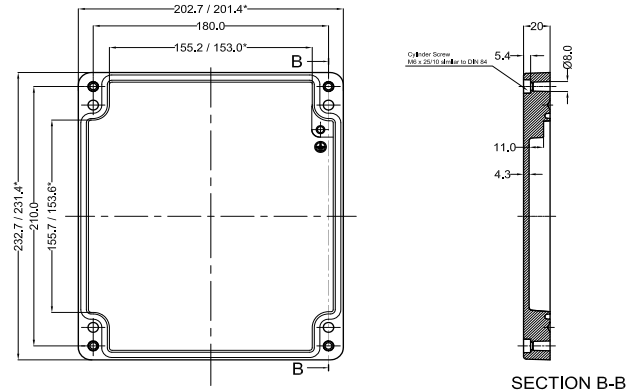


BASE



SECTION A-A

LID



SECTION B-B

PRODUCT SPECIFICATION - EX

Dim (LxWxH):	230 X 200 X 180
Model No:	EX-AJB230200180-U
Order No :	EXRJ 30
Weight (gm):	4096

TECHNICAL SPECIFICATION

Material	AISI 12
Colour	RAL 7001, 7031, 7032, 7035, 7038, Black RAL 9004, White RAL 9010
Protection	IP 66, EN 60529
Gasket	Silicone
Lid Screw	Captive Screw - SS1.4301 (A2) - M6
Tightening Torque	3 to 4 Nm
Impact Strength	Impact Energy 10 Joules - IK 09 EN 60068-2-75
Service Temperature	-50°C to +135°C
Surface	Painted / Non - Painted
Components	Fastening threads M6 in the enclosure bottom
Process Control System	ISO 9001 - 2015, IEC 80079 - 34 - 2011

AVAILABLE ON DEMAND

DIN Rail	TS35
Mounting Plate	Yes

MAXIMUM NO. OF TERMINALS

Cross Section (Sq. mm)	1.5	2.5	4	6	10	16	25	35	50	70
Qty	255	207	174	129	23	20	23	23	16	16

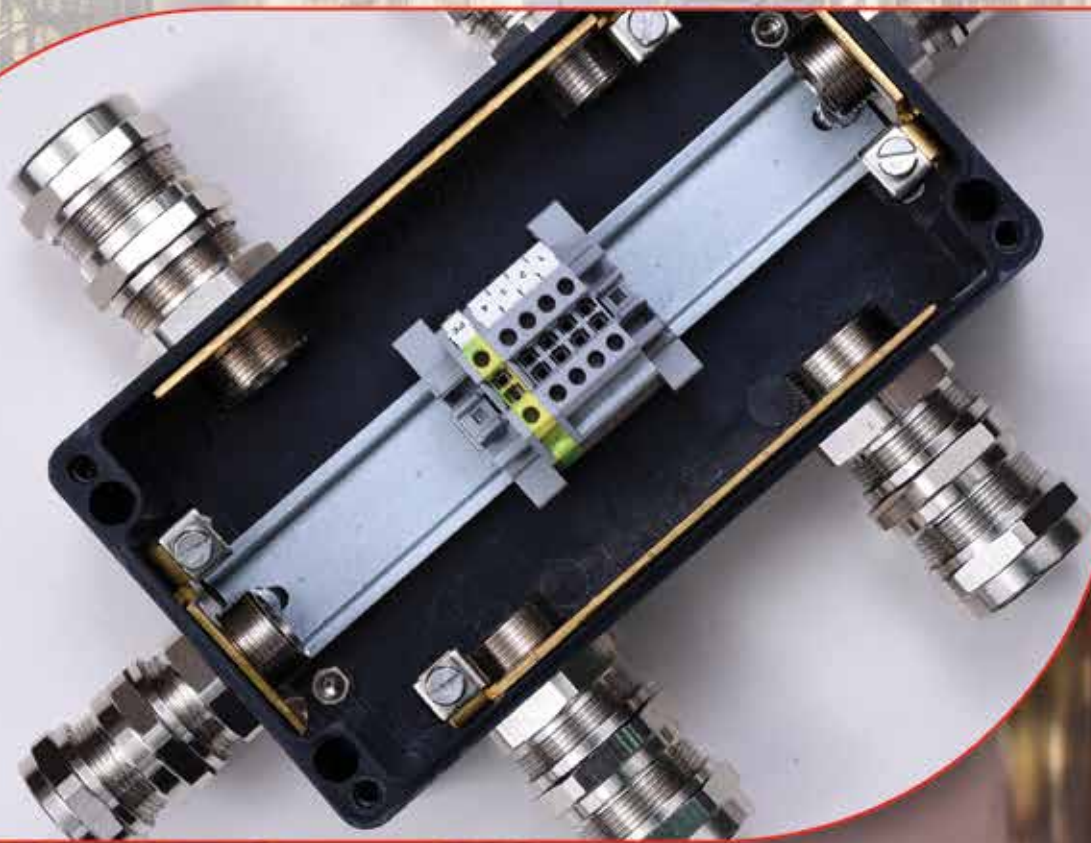
MAXIMUM NO. OF THREADED HOLES

Opening Details	M12	M16	M20	M25	M32	M40	M50	M63
Face A/B	18	18	14	8	4	2	2	4
Face C/D	18	18	15	8	5	2	2	2

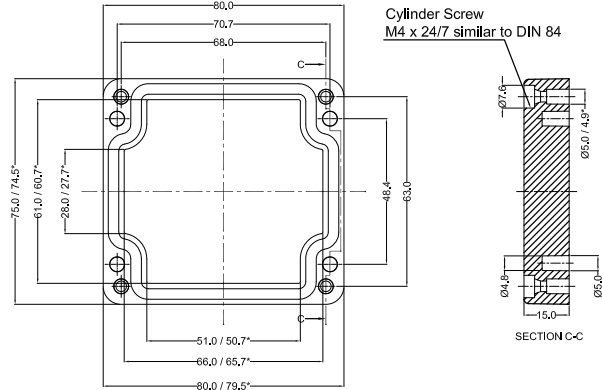
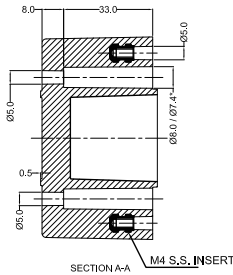
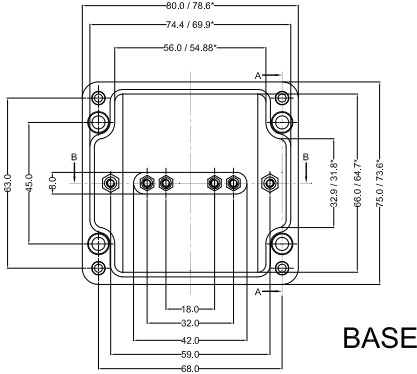
* Maximum No. of terminals depends on internal fitting

GRP ENCLOSURES

Ex



EX-GRJ01



PRODUCT SPECIFICATION - EX

Dim (LxWxH):	80 x 75 x 55
Model No:	Ex - GJB807555 - U
Order No :	GRJ01
Weight (gm):	193.82

TECHNICAL SPECIFICATION

Material:	Glass Fiber Reinforced Polyester - Graphite Added
Colour:	Similar to RAL 9011 / Black
Protection:	IP 66, IEC / EN, EN 60529
Gasket:	Silicone
Lid Screw:	Captive Screw - SS1.4301 (A2) - M4
Tightening Torque:	1 to 2 Nm
Surface Resistance:	< 10 ⁹ Ohm
Impact Strength:	Impact Energy > 7 Joules, IEC / EN, EN 60079 - 0
Flammability:	Self Extinguishing, UL 94 V0
Service Temperature	-50°C to +100°C
Process Control System	ISO 9001 - 2015, IEC 80079 - 34 - 2011

AVAILABLE ON DEMAND

DIN Rail	TS15
Mounting Plate	Yes

MAXIMUM NO. OF TERMINALS

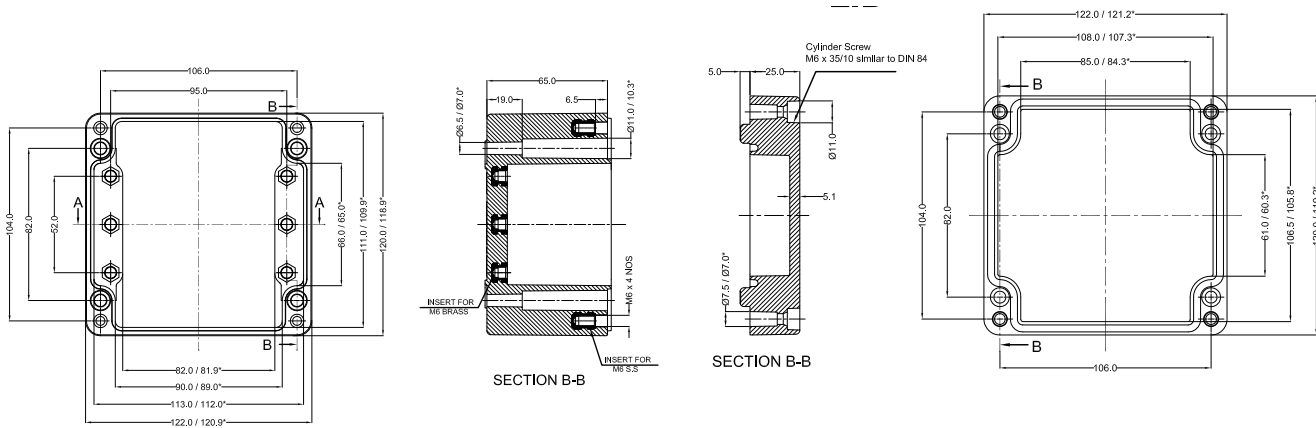
Cross Section (Sq. mm)	1.5	2.5	4	6
Qty	8	8	0	0

MAXIMUM NO. OF THREADED HOLES

Opening Details	M12	M16	M20	M25
Face A/B	2	2	1	0
Face C/D	1	1	1	0

* Maximum No. of terminals depends on internal fitting

EX-GRJ03



PRODUCT SPECIFICATION - EX	
Dim (LxWxH):	122 x 120 x 90
Model No:	Ex - GJB12212090 - U
Order No :	Ex - GRJ03
Weight (gm):	543.5

TECHNICAL SPECIFICATION	
Material:	Glass Fiber Reinforced Polyester - Graphite Added
Colour:	Similar to RAL 9011 / Black
Protection:	IP 66, IEC / EN, EN 60529
Gasket:	Silicone
Lid Screw:	Captive Screw - SS1.4301 (A2) - M6
Tightening Torque:	2 to 4 Nm
Surface Resistance:	< 10 ⁹ Ohm
Impact Strength:	Impact Energy > 7 Joules, IEC / EN, EN 60079 - 0
Flammability:	Self Extinguishing, UL 94 V0
Service Temperature	-50°C to +100°C
Process Control System	ISO 9001 - 2015, IEC 80079 - 34 - 2011

AVAILABLE ON DEMAND	
DIN Rail	TS15
Mounting Plate	Yes

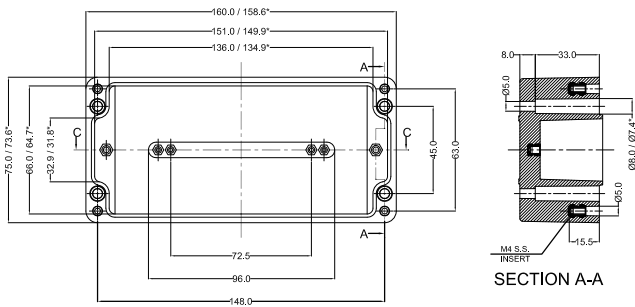
MAXIMUM NO. OF TERMINALS				
Cross Section (Sq. mm)	1.5	2.5	4	6
Qty	14	14	14	10

MAXIMUM NO. OF THREADED HOLES								
Opening Details	M12	M16	M20	M25	M32	M40	M50	M63
Face A/B	8	4	3	2	1	0	0	0
Face C/D	4	3	2	1	1	0	0	0

* Maximum No. of terminals depends on internal fitting

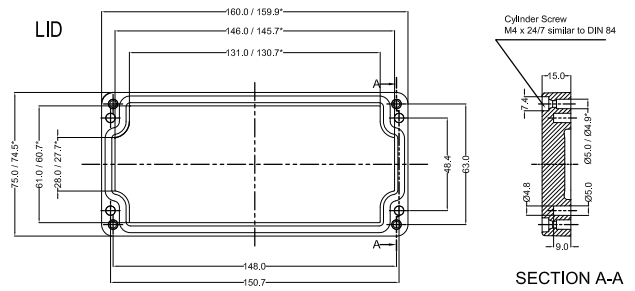


BASE



SECTION A-A

LID



SECTION A-A

PRODUCT SPECIFICATION - EX

Dim (LxWxH):	160 x 75 x 55
Model No:	Ex - GJB1607555 - U
Order No :	Ex - GRJ05
Weight (gm):	327.68

TECHNICAL SPECIFICATION

Material:	Glass Fiber Reinforced Polyester - Graphite Added
Colour:	Similar to RAL 9011 / Black
Protection:	IP 66, IEC / EN, EN 60529
Gasket:	Silicone
Lid Screw:	Captive Screw - SS1.4301 (A2) - M4
Tightening Torque:	1 to 2 Nm
Surface Resistance:	< 10 ⁹ Ohm
Impact Strength:	Impact Energy > 7 Joules, IEC / EN, EN 60079 - 0
Flammability:	Self Extinguishing, UL 94 V0
Service Temperature	-50°C to +100°C
Process Control System	ISO 9001 - 2015, IEC 80079 - 34 - 2011

AVAILABLE ON DEMAND

DIN Rail	TS15
Mounting Plate	Yes

MAXIMUM NO. OF TERMINALS

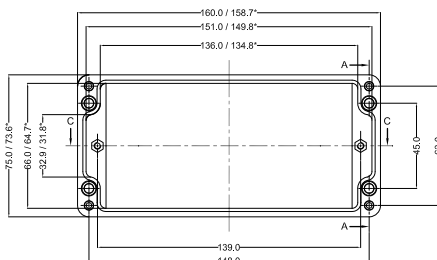
Cross Section (Sq. mm)	1.5	2.5	4	6
Qty	14	14	7	0

MAXIMUM NO. OF THREADED HOLES

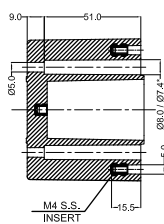
Opening Details	M12	M16	M20	M25	M32	M40	M50	M63
Face A/B	5	4	3	0	0	0	0	0
Face C/D	1	1	1	0	0	0	0	0

* Maximum No. of terminals depends on internal fitting

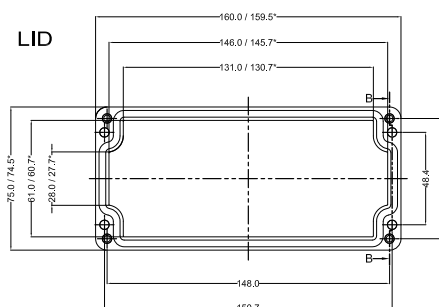
EX-GRJ06



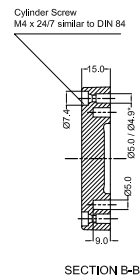
BASE



SECTION A-A



LID



SECTION B-B

PRODUCT SPECIFICATION - EX

Dim (LxWxH):	160 X 75 X 75
Model No:	Ex - GJB1607575 - U
Order No :	Ex - GRJ06
Weight (gm):	388

TECHNICAL SPECIFICATION

Material:	Glass Fiber Reinforced Polyester - Graphite Added
Colour:	Similar to RAL 9011 / Black
Protection:	IP 66, IEC / EN, EN 60529
Gasket:	Silicone
Lid Screw:	Captive Screw - SS1.4301 (A2) - M4
Tightening Torque:	1 to 2 Nm
Surface Resistance:	< 10 ⁹ Ohm
Impact Strength:	Impact Energy > 7 Joules, IEC / EN, EN 60079 - 0
Flammability:	Self Extinguishing, UL 94 V0
Service Temperature	-50°C to +100°C
Process Control System	ISO 9001 - 2015, IEC 80079 - 34 - 2011

AVAILABLE ON DEMAND

DIN Rail	TS15
Mounting Plate	Yes

MAXIMUM NO. OF TERMINALS

Cross Section (Sq. mm)	1.5	2.5	4	6
Qty	14	14	7	0

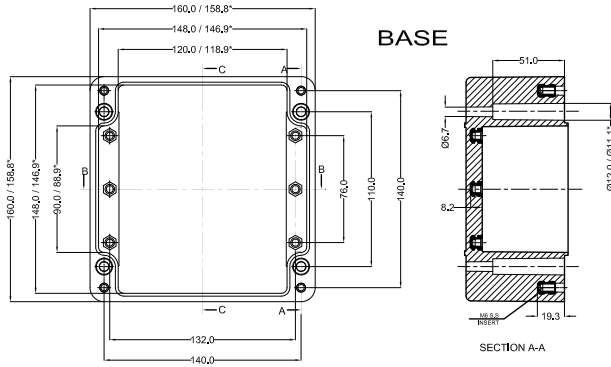
MAXIMUM NO. OF THREADED HOLES

Opening Details	M12	M16	M20	M25	M32	M40	M50	M63
Face A/B	8	6	5	2	1	0	0	0
Face C/D	1	1	1	1	0	0	0	0

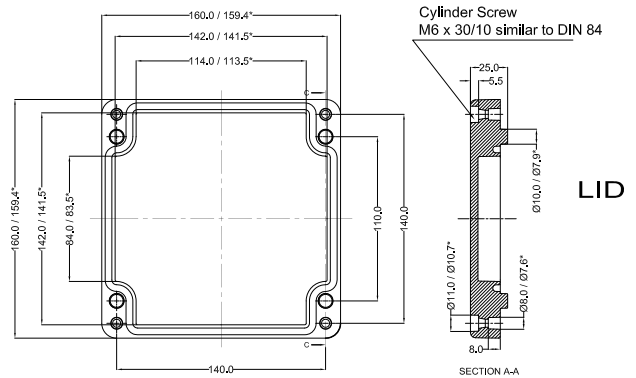
* Maximum No. of terminals depends on internal fitting



BASE



LID



PRODUCT SPECIFICATION - EX	
Dim (LxWxH):	160 X 160 X 90
Model No:	Ex - 16016090 - U
Order No :	Ex - GRJ07
Weight (gm):	959

TECHNICAL SPECIFICATION	
Material:	Glass Fiber Reinforced Polyester - Graphite Added
Colour:	Similar to RAL 9011 / Black
Protection:	IP 66, IEC / EN, EN 60529
Gasket:	Silicone
Lid Screw:	Captive Screw - SS1.4301 (A2) - M6
Tightening Torque:	2 to 4 Nm
Surface Resistance:	< 10 ⁹ Ohm
Impact Strength:	Impact Energy > 7 Joules, IEC / EN, EN 60079 - 0
Flammability:	Self Extinguishing, UL 94 V0
Service Temperature	-50°C to +100°C
Process Control System	ISO 9001 - 2015, IEC 80079 - 34 - 2011

AVAILABLE ON DEMAND	
DIN Rail	TS15
Mounting Plate	Yes

MAXIMUM NO. OF TERMINALS								
Cross Section (Sq. mm)	1.5	2.5	4	6	10	16	25	35
Qty	28	23	19	15	11	9	0	0

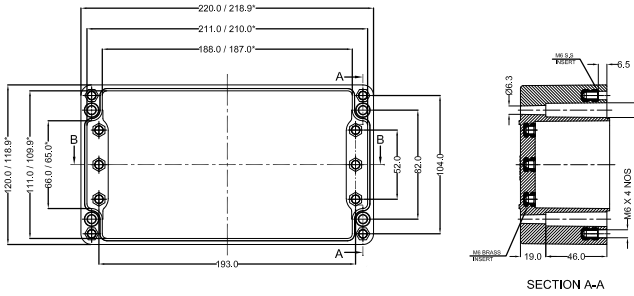
MAXIMUM NO. OF THREADED HOLES								
Opening Details	M12	M16	M20	M25	M32	M40	M50	M63
Face A/B	11	8	6	4	2	1	0	0
Face C/D	6	4	4	3	1	1	0	0

* Maximum No. of terminals depends on internal fitting

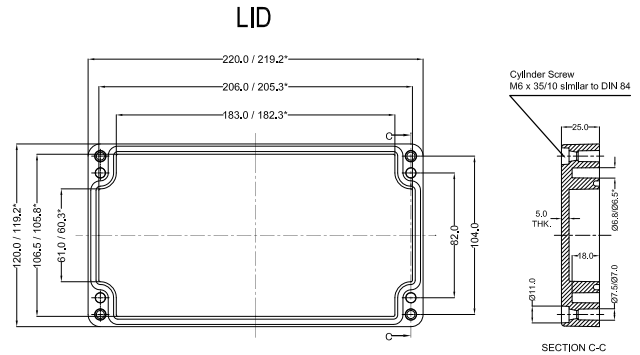
EX-GRJ11



BASE



LID



PRODUCT SPECIFICATION - EX	
Dim (LxWxH):	220 X 120 X 90
Model No:	Ex - GJB22012090 - U
Order No :	Ex - GRJ11
Weight (gm):	811

TECHNICAL SPECIFICATION	
Material:	Glass Fiber Reinforced Polyester - Graphite Added
Colour:	Similar to RAL 9011 / Black
Protection:	IP 66, IEC / EN, EN 60529
Gasket:	Silicone
Lid Screw:	Captive Screw - SS1.4301 (A2) - M6
Tightening Torque:	2 to 4 Nm
Surface Resistance:	< 10 ⁹ Ohm
Impact Strength:	Impact Energy > 7 Joules, IEC / EN, EN 60079 - 0
Flammability:	Self Extinguishing, UL 94 V0
Service Temperature	-50°C to +100°C
Process Control System	ISO 9001 - 2015, IEC 80079 - 34 - 2011

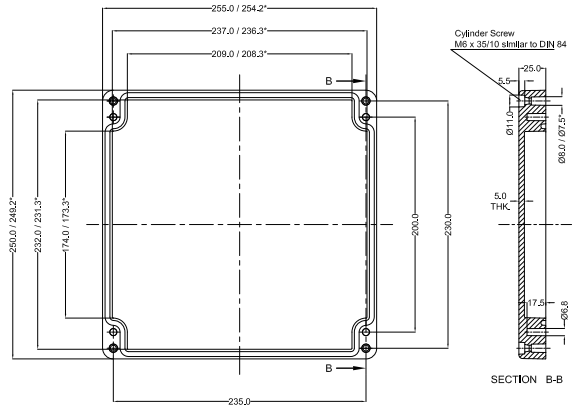
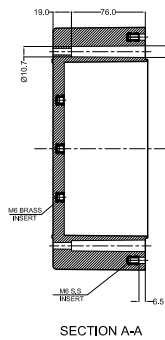
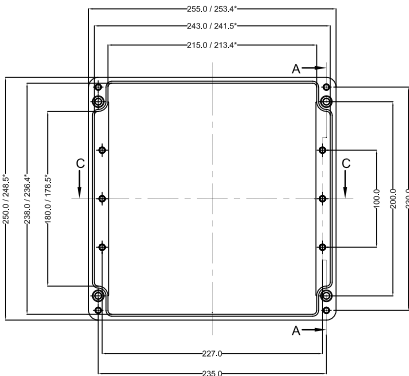
AVAILABLE ON DEMAND	
DIN Rail	TS35
Mounting Plate	Yes

MAXIMUM NO. OF TERMINALS								
Cross Section (Sq. mm)	1.5	2.5	4	6	10	16	25	35
Qty	42	23	19	21	10	8	0	0

MAXIMUM NO. OF THREADED HOLES								
Opening Details	M12	M16	M20	M25	M32	M40	M50	M63
Face A/B	14	12	8	5	3	0	0	0
Face C/D	4	3	2	1	1	0	0	0

* Maximum No. of terminals depends on internal fitting

EX-GRJ12



PRODUCT SPECIFICATION - EX

Dim (LxWxH):	255 X 250 X 120
Model No:	Ex - GJB255250120- U
Order No :	Ex - GRJ12
Weight (gm):	2132

TECHNICAL SPECIFICATION

Material:	Glass Fiber Reinforced Polyester - Graphite Added
Colour:	Similar to RAL 9011 / Black
Protection:	IP 66, IEC / EN, EN 60529
Gasket:	Silicone
Lid Screw:	Captive Screw - SS1.4301 (A2) - M6
Tightening Torque:	2 to 4 Nm
Surface Resistance:	< 10 ⁹ Ohm
Impact Strength:	Impact Energy > 7 Joules, IEC / EN, EN 60079 - 0
Flammability:	Self Extinguishing, UL 94 V0
Service Temperature	-50°C to +100°C
Process Control System	ISO 9001 - 2015, IEC 80079 - 34 - 2011

AVAILABLE ON DEMAND

DIN Rail	TS15
Mounting Plate	Yes

MAXIMUM NO. OF TERMINALS

Cross Section (Sq. mm)	1.5	2.5	4	6	10	16	25	35
Qty	102	82	38	29	12	10	14	14

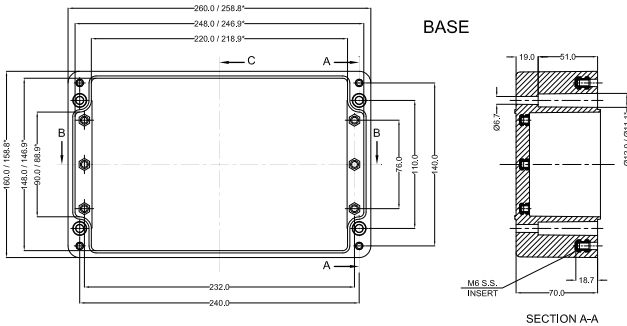
Maximum No. Of Threaded Holes

Opening Details	M12	M16	M20	M25	M32	M40	M50	M63
Face A/B	30	24	16	10	7	3	2	0
Face C/D	28	22	12	19	6	3	1	0

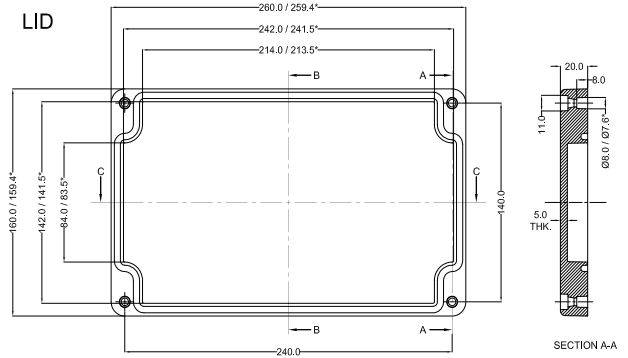
* Maximum No. of terminals depends on internal fitting



BASE



LID



PRODUCT SPECIFICATION - EX	
Dim (LxWxH):	260 X 160 X 90
Mod el No:	Ex - GJB26016090 - U
Order No :	Ex - GRJ13
Weight (gm):	1342

TECHNICAL SPECIFICATION	
Material:	Glass Fiber Reinforced Polyester - Graphite Added
Colour:	Similar to RAL 9011 / Black
Protection:	IP 66, IEC / EN, EN 60529
Gasket:	Silicone
Lid Screw:	Captive Screw - SS.1.4301 (A2) - M6
Tightening Torque:	2 to 4 Nm
Surface Resistance:	< 10 ⁹ Ohm
Impact Strength:	Impact Energy > 7 Joules, IEC / EN, EN 60079 - 0
Flammability:	Self Extinguishing, UL 94 V0
Service Temperature	-50°C to +100°C
Process Control System	ISO 9001 - 2015, IEC 80079 - 34 - 2011

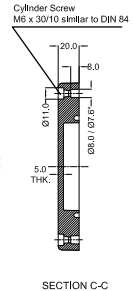
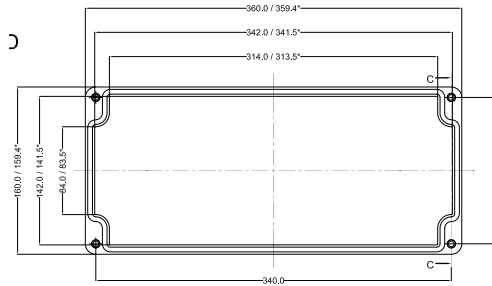
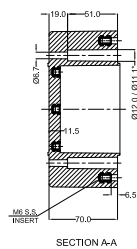
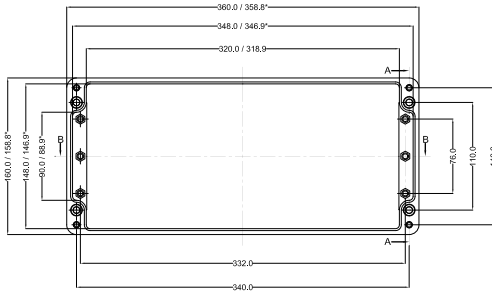
AVAILABLE ON DEMAND	
DIN Rail	TS35
Mounting Plate	Yes

MAXIMUM NO. OF TERMINALS								
Cross Section (Sq. mm)	1.5	2.5	4	6	10	16	25	35
Qty	28	23	19	26	12	10	10	8

MAXIMUM NO. OF THREADED HOLES								
Opening Details	M12	M16	M20	M25	M32	M40	M50	M63
Face A/B	29	16	10	8	4	3	0	0
Face C/D	6	4	4	3	1	1	0	0

* Maximum No. of terminals depends on internal fitting

EX-GRJ14



PRODUCT SPECIFICATION - EX	
Dim (LxWxH):	360 X 160 X 90
Model No:	Ex - GJB36016090 - U
Order No :	Ex - GRJ14
Weight (gm):	1727

TECHNICAL SPECIFICATION	
Material:	Glass Fiber Reinforced Polyester - Graphite Added
Colour:	Similar to RAL 9011 / Black
Protection:	IP 66, IEC / EN, EN 60529
Gasket:	Silicone
Lid Screw:	Captive Screw - SS1.4301 (A2) - M6
Tightening Torque:	2 to 4 Nm
Surface Resistance:	< 10 ⁹ Ohm
Impact Strength:	Impact Energy > 7 Joules, IEC / EN, EN 60079 - 0
Flammability:	Self Extinguishing, UL 94 V0
Service Temperature	-50°C to +100°C
Process Control System	ISO 9001 - 2015, IEC 80079 - 34 - 2011

AVAILABLE ON DEMAND	
DIN Rail	TS15
Mounting Plate	Yes

MAXIMUM NO. OF TERMINALS								
Cross Section (Sq. mm)	1.5	2.5	4	6	10	16	25	35
Qty	76	23	19	15	12	10	20	8

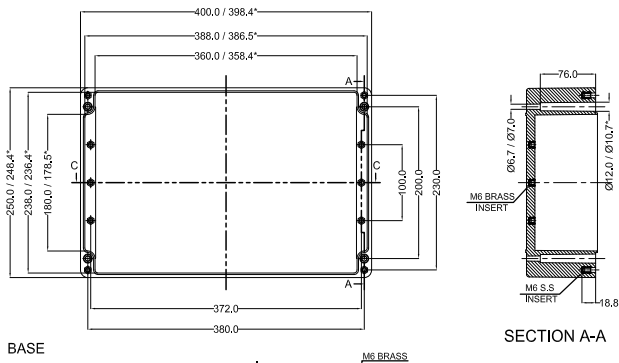
MAXIMUM NO. OF THREADED HOLES								
Opening Details	M12	M16	M20	M25	M32	M40	M50	M63
Face A/B	24	20	18	12	6	4	3	0
Face C/D	6	4	4	3	1	1	0	0

* Maximum No. of terminals depends on internal fitting

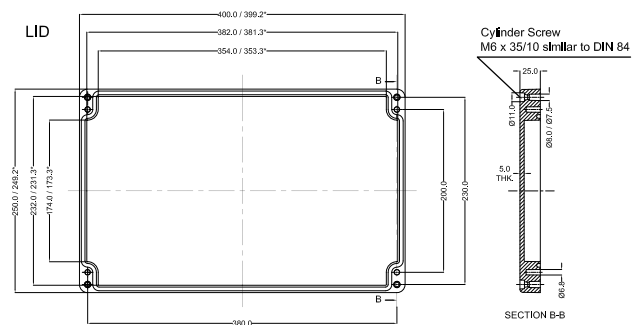
EX-GRJ15



BASE



LID



PRODUCT SPECIFICATION - EX	
Dim (LxWxH):	400 X 250 X 120
Mod el No:	Ex - GJB400250120 - U
Order No :	Ex - GRJ15
Weight (gm):	2971

TECHNICAL SPECIFICATION	
Material:	Glass Fiber Reinforced Polyester - Graphite Added
Colour:	Similar to RAL 9011 / Black
Protection:	IP 66, IEC / EN, EN 60529
Gasket:	Silicone
Lid Screw:	Captive Screw - SS1.4301 (A2) - M6
Tightening Torque:	2 to 4 Nm
Surface Resistance:	< 10 ⁹ Ohm
Impact Strength:	Impact Energy > 7 Joules, IEC / EN, EN 60079 - 0
Flammability:	Self Extinguishing, UL 94 V0
Service Temperature	-50°C to +100°C
Process Control System	ISO 9001 - 2015, IEC 80079 - 34 - 2011

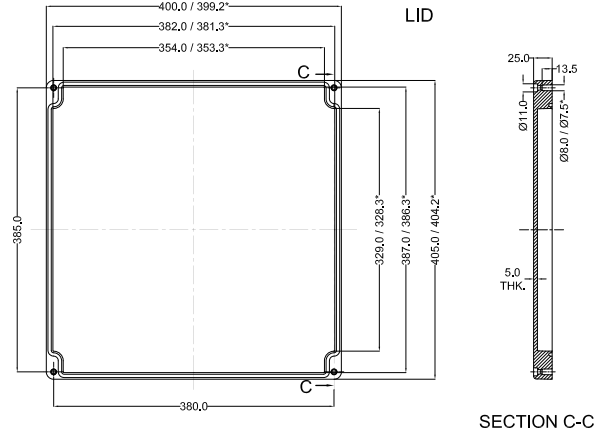
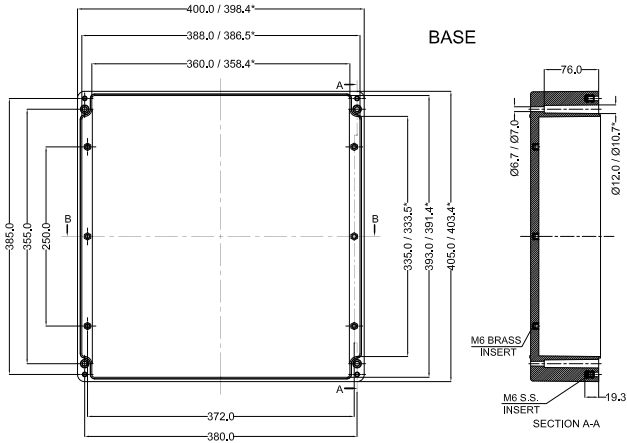
AVAILABLE ON DEMAND	
DIN Rail	TS35
Mounting Plate	Yes

MAXIMUM NO. OF TERMINALS										
Cross Section (Sq. mm)	1.5	2.5	4	6	10	16	25	35	50	70
Qty	170	138	116	86	12	10	23	23	9	9

MAXIMUM NO. OF THREADED HOLES								
Opening Details	M12	M16	M20	M25	M32	M40	M50	M63
Face A/B	42	30	20	16	10	5	4	0
Face C/D	28	22	12	9	9	3	3	0

* Maximum No. of terminals depends on internal fitting

EX-GRJ16



PRODUCT SPECIFICATION - STANDARD

Dim (LxWxH):	400 X 405 X 120
Model No:	Ex - GJB400405120 - U
Order No :	Ex - GRJ16
Weight (gm):	4263

TECHNICAL SPECIFICATION

Material:	Glass Fiber Reinforced Polyester - Graphite Added
Colour:	Similar to RAL 9011 / Black
Protection:	IP 66, IEC / EN, EN 60529
Gasket:	Silicone
Lid Screw:	Captive Screw - SS1.4301 (A2) - M6
Tightening Torque:	2 to 4 Nm
Surface Resistance:	< 10 ⁹ Ohm
Impact Strength:	Impact Energy > 7 Joules, IEC / EN, EN 60079 - 0
Flammability:	Self Extinguishing, UL 94 V0
Service Temperature	-50°C to +100°C
Process Control System	ISO 9001 - 2015, IEC 80079 - 34 - 2011

AVAILABLE ON DEMAND

DIN Rail	TS15
Mounting Plate	Yes

MAXIMUM NO. OF TERMINALS

Cross Section (Sq. mm)	1.5	2.5	4	6	10	16	25	35	50	70
Qty	255	207	174	129	23	20	23	23	16	16

MAXIMUM NO. OF THREADED HOLES

Opening Details	M12	M16	M20	M25	M32	M40	M50	M63
Face A/B	42	30	20	16	10	5	4	0
Face C/D	36	30	18	14	8	5	4	0

* Maximum No. of terminals depends on internal fitting

Raychem RPG

ENGINEERING GROWTH • PIONEERING EXCELLENCE



Raychem RPG (P) Ltd.

Corporate Office

RPG House, 463, Dr. A. B. Road,
Worli, Mumbai - 400 030
Tel.: +91 22 24937485 / 24937486
Fax.: +91 22 24938879

International Business Division (IBD) - EBU

1,62, M.G. Rd., Near Bharat Petroleum Pump
Off. Western Express Highway,
P. Satavali, Bassein,
Taluka Vasai, Dist. Palghar
Tel.: +91 250 3057500
Fax: +91 250 2480046

GCC – REGIONAL OFFICE

Office No.906 SIT Tower
Dubai Silicon Oasis,
Dubai United Arab Emirates
P O Box No 294632
Tel: +971 4 345 4878 /898
Fax: +971 4 345 4801

Email: enclosures@raychemrpg.com

www.raychemrpg.com



(A TE-Connectivity - RPG Enterprises JV)