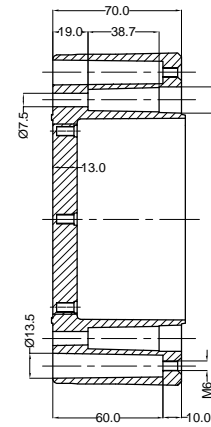
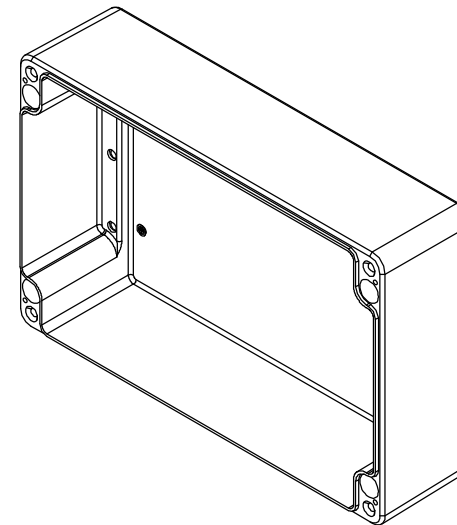
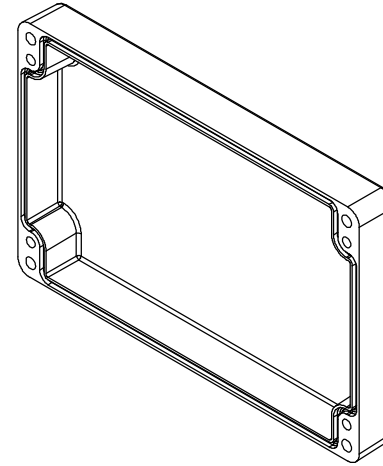


SECTION B-B



SECTION C-C



* = Conical form tapering downward.
 Untoleranced dimensions per GTA 13/5 DIN 1688

OPTIONAL ACCESSORIES		
PART NAME	QTY.	AVILABILITY
MOUNTING PLATE	1	Y
EXTERNAL HINGE	2	Y
INTERNAL HINGE	2	Y
MOUNTING BRACKETS	4	Y
NEOPRENE/SILICON GASKET	1	Y
DIN RAIL TS15	-	N
DIN RAIL TS35	1	Y

QUANTITY	MATERIAL :-	MACH.NAME	DATE	SIGN	NAME	
-	Alsi12 Din230	-			RRPL DESIGN	
	WEIGHT: FINISH: NATURAL	TITLE :- JUNCTION BOX 280 x 180 x 100	30/04/12		MANOJ DRAWN	
			30/04/12		PAVAN CHECKED	
TOLERANCE		Raychem RPG (P) Limited	SCALE	PARTNO.		
±0.2	DIMENSIONS	Ceat Mahal Annexe, Dr. Annie Besant Road , Worli , Mumbai 400030 Web : www.raychemrpg.com	REV	DRG. NO.		
±0.2	HOLES	ALL DIMINSON ARE IN MM	0	AJB-280180100		
±1.0°	ANGLES	RJ 29				

PROPERTY OF RaychemRPG (P) LTD.
 ALL RIGHTS RESERVED AND/OR PHOTOCOPYING THIS DOCUMENT
 TO A PERSON WITHOUT RaychemRPG (P)LTD. WRITTEN AUTHORIZATION IS PROHIBITED