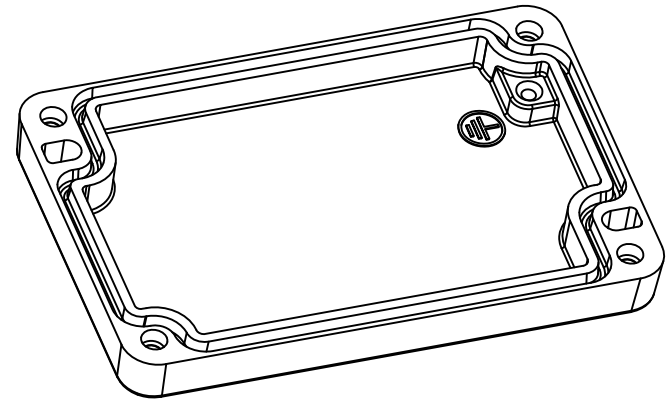
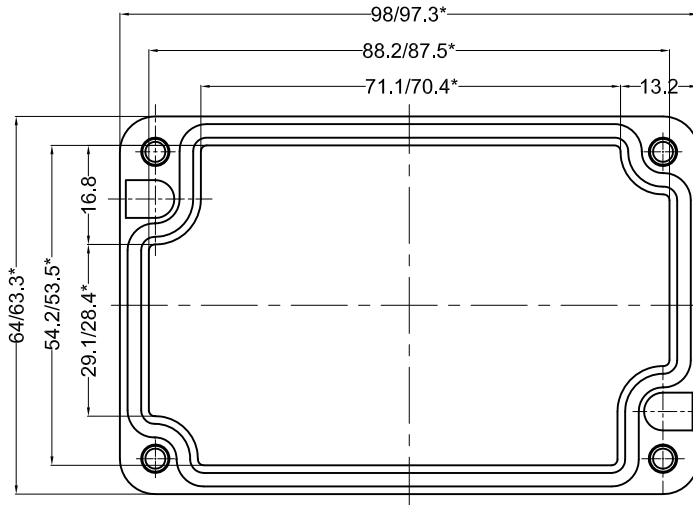
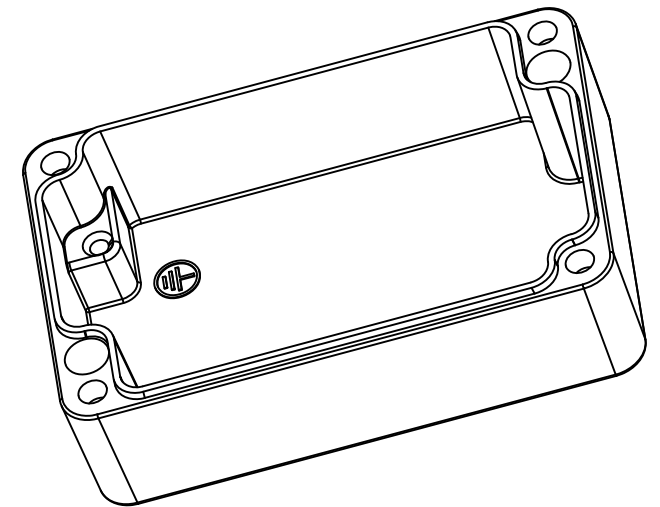
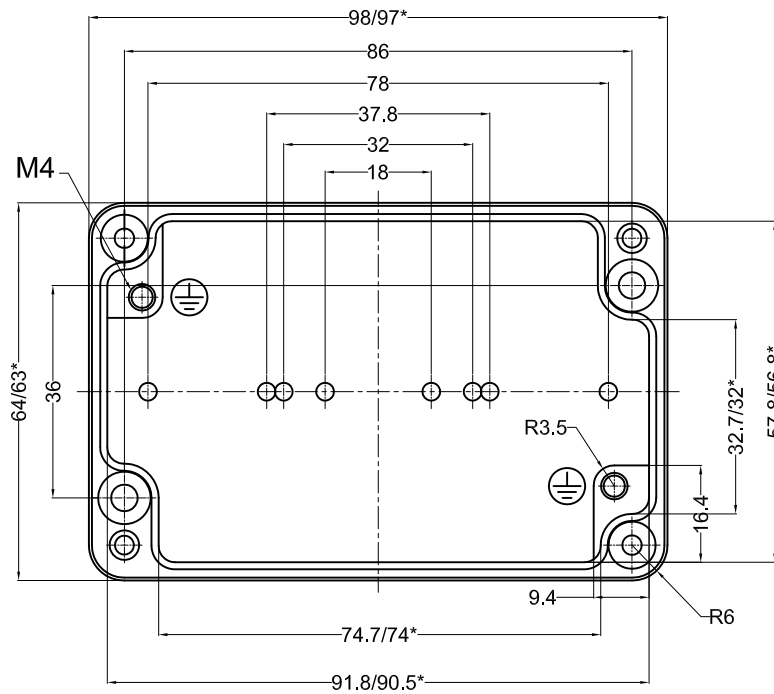


\* = Conical form tapering downward.  
 Untoleranced dimensions per GTA 13/5 DIN 1688

LID



BASE



NOTE -

- 1) SHRINKAGE 0.5%
- 2) THEORITICAL VOLUME -
- 3) EJECTOR PIN DEPTH 0.1 - 0.5mm
- 4) NON DIMENSIONAL RADIUS - 0.5mm
- 5) ALL EDGES ARE BURR FREE
- 6) FUNCTIONALLY CO-ORDINATED
- 7) TOLERANCE AS PER DIN 1688 (GTA  $\frac{1}{2}$ ) STD.  
 maximum size / minimum size  
 regarding tool deform
- 8) Draft angle : out side max.2°, inside max.3°
- 9) =Functions-dimensions to be checked  
 (TOLERANCE  $\pm 0.10\text{mm}$ )

PROPERTY OF RaychemRPG (P) LTD.  
 ALL RIGHTS RESERVED AND/OR PHOTOCOPYING THIS DOCUMENT  
 TO A PERSON WITHOUT RaychemRPG (P)LTD. WRITTEN AUTHORIZATION IS PROHIBITED

NO.	REV.NO.	DESCRIPTION	DATE	DRAWN	CHECKED		
QUANTITY	1	MATERIAL :- <b>AlSi12 DIN230</b>	MACH.NAME	DATE	SIGN	NAME	
				09/06/12		RRPL	DESIGN
				09/06/12		MANOJ	DRAWN
			TITLE :- JUNCTION BOX 98 x 64 x 34			PAVAN	CHECKED
						S.D.	APPROVED
TOLERANCE		WEIGHT:	FINISH: NATURAL	Raychem RPG (P) Limited		SCALE	PARTNO.
$\pm 0.1$	DIMENSIONS			Ceat Mahal Annexe, Dr. Annie Besant Road , Worli , Mumbai 400030 Web : www.raychemrpg.com		REV	DRG. NO.
$\pm 0.1$	HOLES	ALL DIMENSION ARE IN MM		0			
$\pm 1.0^\circ$	ANGLES						AJB-986434