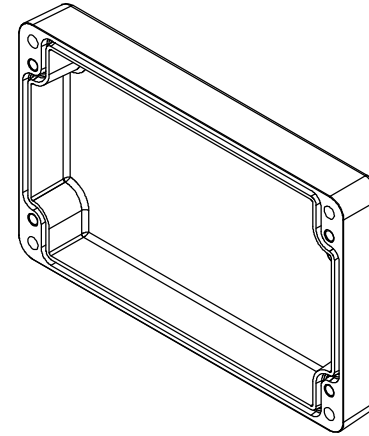
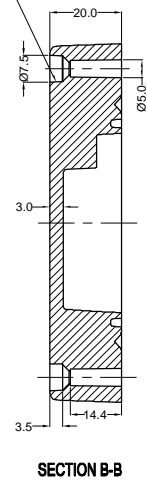
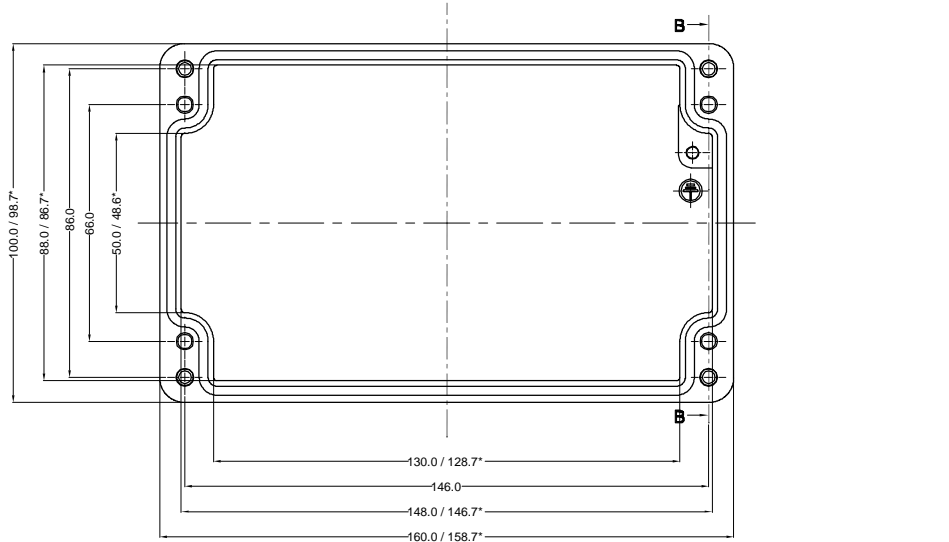
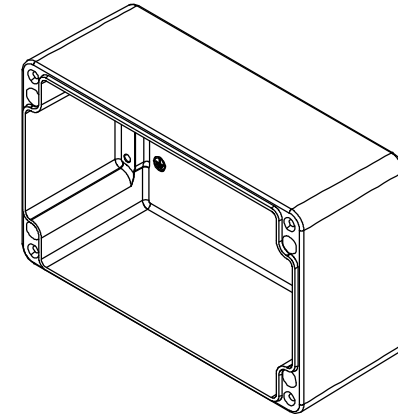
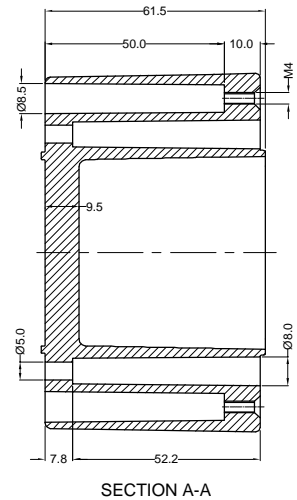
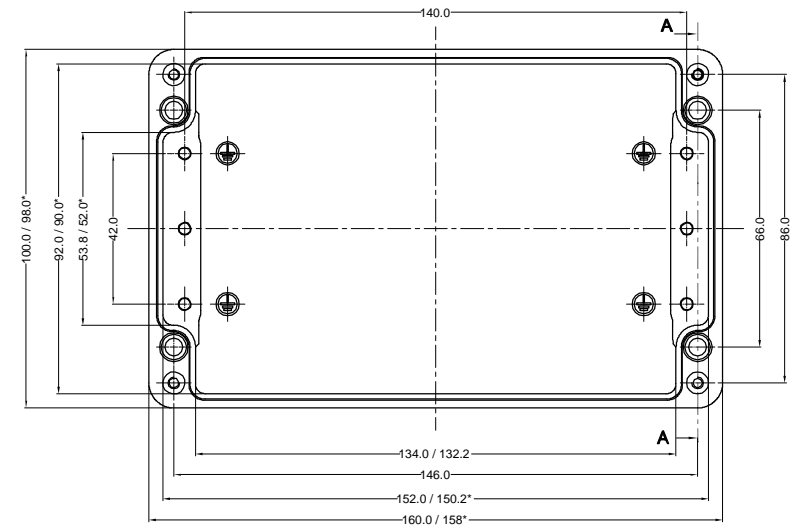


* = Conical form tapering downward.
 Untoleranced dimensions per GTA 13/5 DIN 1688

LID



OPTIONAL ACCESSORIES		
PART NAME	QTY.	AVILABILITY
MOUNTING PLATE	1	Y
EXTERNAL HINGE	2	Y
INTERNAL HINGE	-	N
MOUNTING BRACKETS	4	Y
NEOPRENE/SILICON GASKET	1	Y
DIN RAIL TS15	1	Y
DIN RAIL TS35	-	N



BASE

QUANTITY	MATERIAL :- Alsi12 Din230	MACH.NAME	DATE	SIGN	NAME	
-		-	30/04/12		RRPL	DESIGN
			30/04/12		MANOJ	DRAWN
		TITLE :- JUNCTION BOX 160 x 100 x 81			PAVAN	CHECKED
					S.D.	APPROVED
TOLERANCE	WEIGHT: . FINISH: NATURAL	Raychem RPG (P) Limited	SCALE	PARTNO. -		
±0.2 DIMENSIONS	ALL DIMENSION ARE IN MM	Ceat Mahal Annexe, Dr. Annie Besant Road , Worli , Mumbai 400030 Web : www.raychemrpg.com	REV	DRG. NO.		
±0.2 HOLES			0	AJB-16010081		
±1.0° ANGLES	RJ 10					

PROPERTY OF RaychemRPG (P) LTD.
 ALL RIGHTS RESERVED AND/OR PHOTOCOPYING THIS DOCUMENT
 TO A PERSON WITHOUT RaychemRPG (P)LTD. WRITTEN AUTHORIZATION IS PROHIBITED