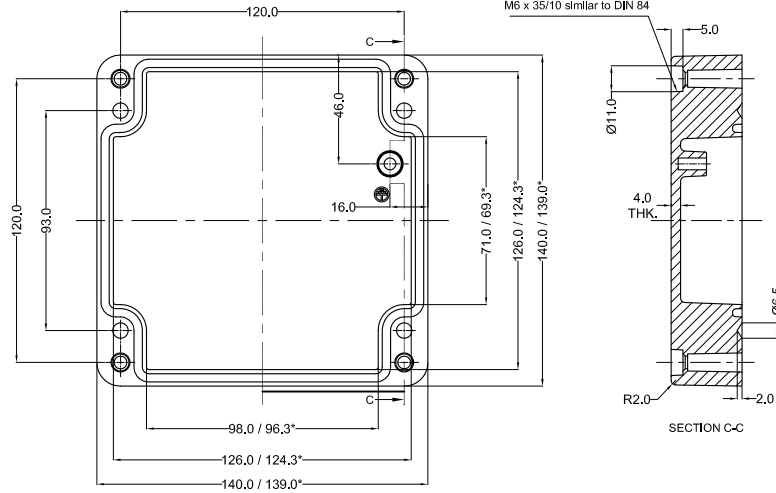
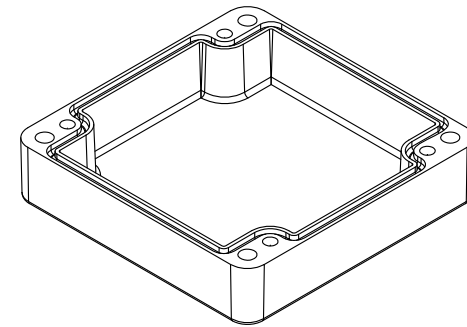


LID

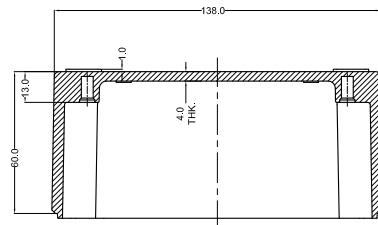
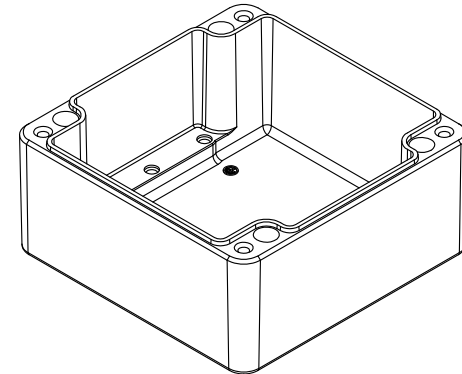
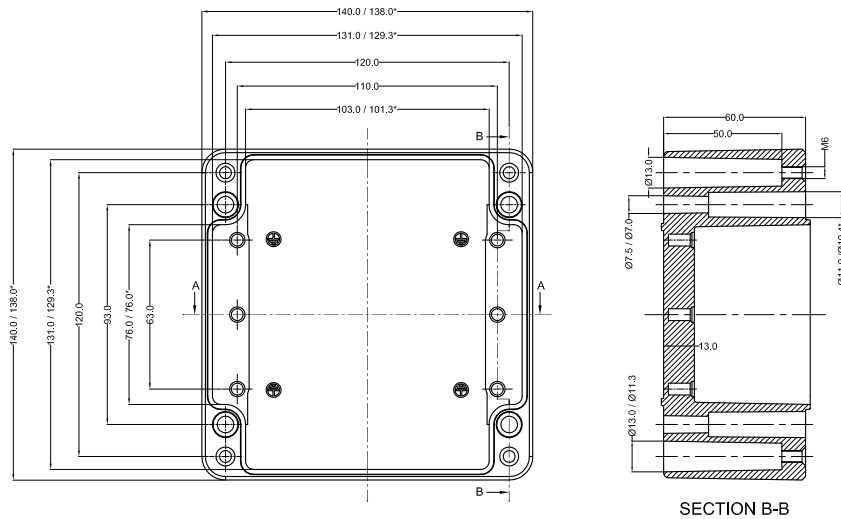


* = Conical form tapering downward.
 Untoleranced dimensions per GTA 13/5 - DIN 1688

ACCESSORIES		
PART NAME	QTY.	AVILABILITY
MOUNTING PLATE	1	Y
EXTERNAL HINGE	2	Y
INTERNAL HINGE	-	N
MOUNTING BRACKETS	4	Y
NEOPRENE/SILICON GASKET	1	Y
DIN RAIL TS15	-	N
DIN RAIL TS35	1	Y



BASE



SECTION A-A

QUANTITY 1	MATERIAL :- AlSi12 DIN230	MACH.NAME -	DATE 19/08/15	SIGN MANOJ	NAME DRAWN
	WEIGHT: - FINISH: NATURAL	TITLE :- JUNCTION BOX 140 x 140 x 90	19/08/15	PAVAN	CHECKED
				M.S.	APPROVED
TOLERANCE ±0.2 DIMENSIONS ±0.2 HOLES ±1.0° ANGLES	ALL DIMENSION ARE IN MM RJ 36	Raychem RPG (P) Limited Ceat Mahal Annexe, Dr. Annie Besant Road , Worli , Mumbai 400030 Web : www.raychemrpg.com	SCALE REV 0	PARTNO. 0	DRG. NO. AJB-14014090

PROPERTY OF RaychemRPG (P) LTD.
 ALL RIGHTS RESERVED AND/OR PHOTOCOPYING THIS DOCUMENT
 TO A PERSON WITHOUT RaychemRPG (P)LTD, WRITTEN AUTHORIZATION IS PROHIBITED