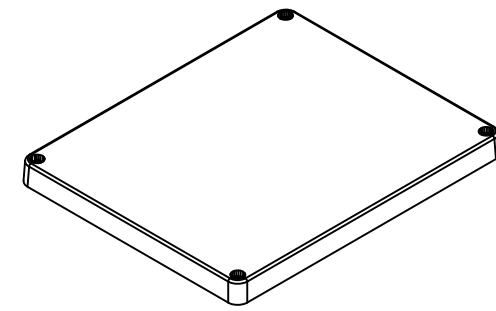
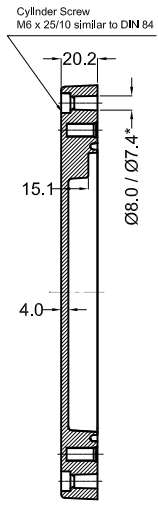
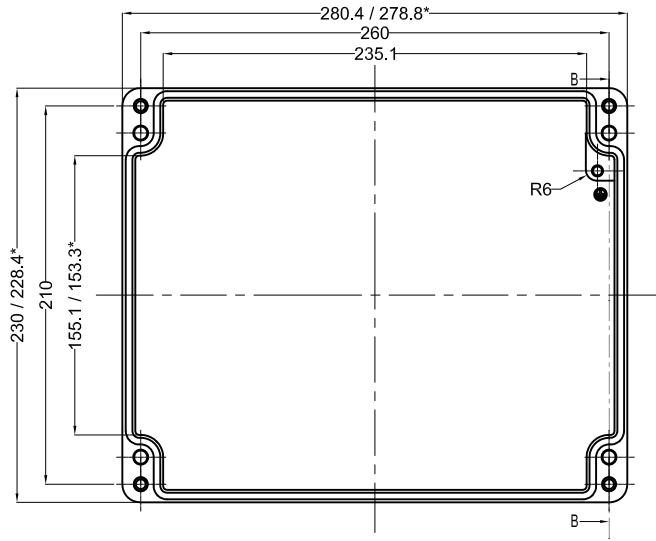
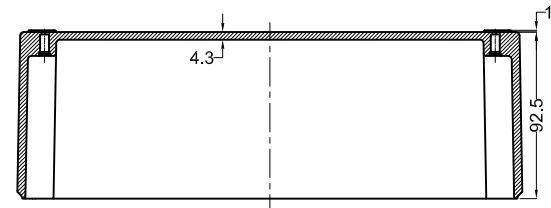
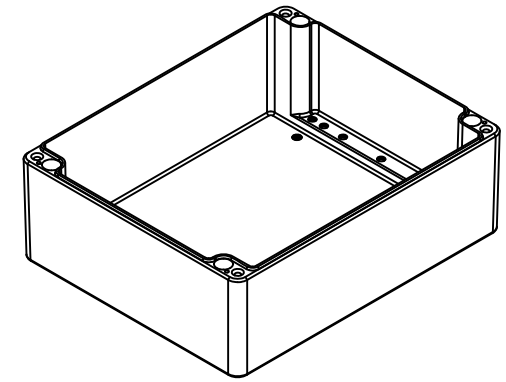
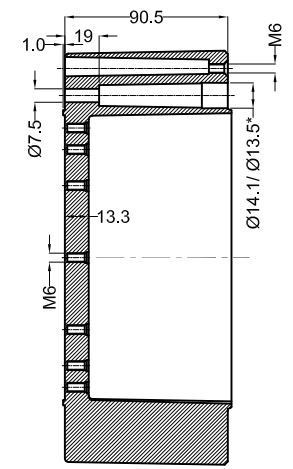
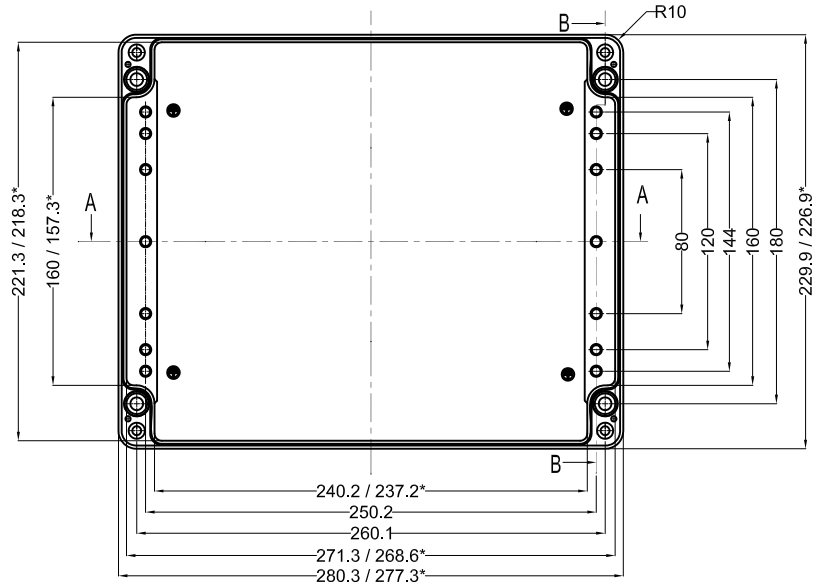


\* = Conical form tapering downward.  
 Untoleranced dimensions per GTA 13/5 - DIN 1688

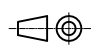
LIB



BASE



SECTION A-A

QUANTITY 1	MATERIAL :- <b>ALs112 (Din230)</b>	MACH.NAME -	DATE 12/06/12	SIGN MANOJ	NAME DRAWN
 TOLERANCE ±0.2 DIMENSIONS ±0.2 HOLES ±1.0° ANGLES	WEIGHT: -	FINISH: NATURAL	TITLE :- JUNCTION BOX 280 x 230 x 110	DATE 12/06/12	NAME PAVAN CHECKED
	ALL DIMENSION ARE IN MM Raychem RPG (P) Limited Ceat Mahal Annexe, Dr. Annie Besant Road, Worli, Mumbai 400030 Web : www.raychemrpg.com		SCALE REV 0	PARTNO. 0	DRG. NO. AJB-280230110

PROPERTY OF RaychemRPG (P) LTD.  
 ALL RIGHTS RESERVED AND/OR PHOTOCOPIING THIS DOCUMENT  
 TO A PERSON WITHOUT RaychemRPG (P)LTD. WRITTEN AUTHORIZATION IS PROHIBITED