

SPECIFICATION



LIAN DUNG

ELECTRIC WIRE MATERIAL CO., LTD

聯東電線材料股份有限公司

APPROVED

台灣台中市豐原區三豐路二段 515-16 號
No.515-16,Sec.2, San Feng Rd. Feng Yuan DIST
Taichung CITY, 420 Taiwan, R.O.C.
TEL : 04-25270346 FAX : 886-4-25270348
[http : //www.liandung.com.tw](http://www.liandung.com.tw)
E-mail : liandung@liandung.com.tw

客戶名稱 : (CUSTOMER NAME)
TME
客戶料號 : (CUSTOMER PART NO.)
WN116-3/15/5WH; WN116-3/15/5GY; WN116-3/15/5BK WN116-3/15/3WH; WN116-3/15/3GY; WN116-3/15/3BK WN116-3/15/1WH; WN116-3/15/1GY; WN116-3/15/1BK WN116-3/15/1.8WH; WN116-3/15/1.8GY; WN116-3/15/1.8BK WN116-3/15/0.5WH; WN116-3/15/0.5GY; WN116-3/15/0.5BK

PLUG : LT-550+549R
CORD : H05VV-F 3G1.5mm ² BK/GY/WH 0.5M/1.8M/3M/5M
ISSUE : LD-QA-1130313
DATE : MAR-19-2024

核 准	郭 國 財	審 核	曾 群 閔	製 表	廖 柏 昇
--------	-------------	--------	-------------	--------	-------------

1. PVC FLEXIBLE CORD

1.1 SCOPE

This specification shall be in accordance with **EN 50525-2-11**

Polyvinyl chloride insulated cables of rated voltages up to and including 450/750 V

1.2 CONSTRUCTION

CONDUCTOR	ANNEALED COPPER WIRE
INSULATION	PVC(Blue, Brown, Green / Yellow) MEAN VALUE OF THICKNESS : MIN.0.7mm
SHEATH	PVC MEAN VALUE OF THICKNESS : MIN.0.9mm

ITEM	UNIT	SPEC.VALUE	
RATED VOLTAGE (U _o /U)	V/V	300/500	
NO. OF CORE	NO.	3	
CONDUCTOR	NOMINAL AREA	mm ²	1.5
	CONSTRUCTION	NO/mm	60/0.18
THICKNESS OF INSULATION	mm	0.7	
THICKNESS OF SHEATH	mm	0.9	
NOMINAL OVERALL DIAMETER	mm	8.5±0.2	
CONDUCTOR RESISTANCE(AT 20°C)	ohm/km	13.3(Max.)	
TEST VOLTAGE	V/min	2000/15	

1.3 SOURCE FOR FLEXIBLE CORD

- ☆ LIAN DUNG
- ☆ RHYTHM
- ☆ I-SHENG

2. PLUG

2.1 SCOPE

The plug shall be in accordance with **I.E.C 60320 Standard Sheet I Appliance Couplers for Household and Similar General Purposes**

2.2 CONSTRUCTION

The Plug construction shall be in accordance with our Catalogue **NO.LT-550 Rating.16A 250V~**

2.3 CHARACTERISTICS

NO	TEST ITEM	SPEC. VALUE	TEST RESULTS
1.	Moisture resistance test	Samples are kept in a humidity cabinet containing air with a relative humidity between 91 to 95% and a temperature of 20~30°C for a duration of 48 hours.	No damage
2.	Electric strength test	A voltage of A.C.2000V is applied for 2-3 sec. after the moisture resistance test.	No flashover and breakdown
3.	Insulation resistance test	This test is measured with a D.C.500V after the moisture resistance test.	Min 5 M Ohm
4.	Normal operation test	The plug is inserted into and withdraw from the socket-outlets 5000 times at rated current. And they shall withstand an electric strength.	Withstand 1500v/1min
5.	Temperature rise test	An alternating current of 4A is passed through poles for 1 hours.	Max.45°C any points
6.	Bending test	The samples shall be loaded with a weight of 20N(2.04kg) and the oscillating number shall be moved backward and forward through an angle of 90°(45°on either side of the vertical) the number of flexing being 10,000 at the rate of 60 cycles per minutes. The rated current of plug is passed through the conductors. Specimens with circular section flexible cables are turned through 90°in the oscillating member after 5,000 flexings.	No damage

NO	TEST ITEM	SPEC. VALUE	TEST RESULTS
7.	Tumbling test	The samples are dropped from a height of 50cm onto a steel plate (3mm thick) for a total of 1000 times.	No damage
8.	Cold impact test	The samples are kept in a refrigerator at a temperature of $-15\pm 2^{\circ}\text{C}$, for at least 16 hours The samples are then allowed to fall by the hammer from a height of 10cm.	No damage
9.	Heat deformation test	The samples are kept for 1 hour in a heating cabinet at temperature of $100\pm 5^{\circ}\text{C}$.	No damage
10.	Heat pressure test	The samples are applied 20N(2.04kg) at a temperature of $80\pm 2^{\circ}\text{C}$ for 1 hr.	No damage
11.	Aging test	The samples are kept for 168 hours in a heating cabinet at temperature of $80\pm 2^{\circ}\text{C}$.	No damage
12.	Deformation resistance at higher temperature test	The test temperature is 70°C for 6 hours .The test weight is 1N(0.11kg). The diameter of the ball impression shall not be greater than 3mm.	No damage
13.	Pressure test	The samples are applied 300N(30.6kg) at a temperature of $20\pm 2^{\circ}\text{C}$ for 1min.	No damage

3. CONNECTOR

3.1 SCOPE

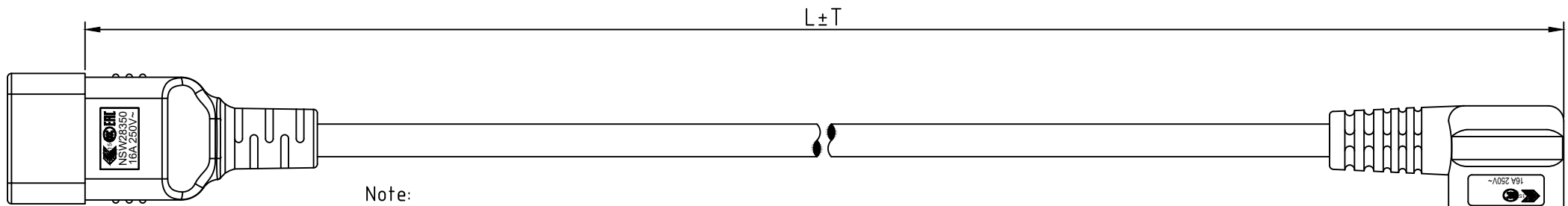
The connector shall be in accordance with IEC 320 Stand Sheet C19 (Appliance coupler).

3.2 CONSTRUCTION

The connector construction shall be in accordance with our Catalogue NO. LT-549R. 16A 250V~

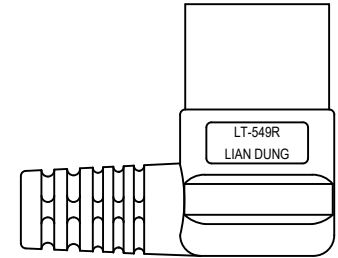
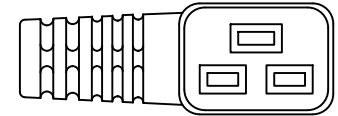
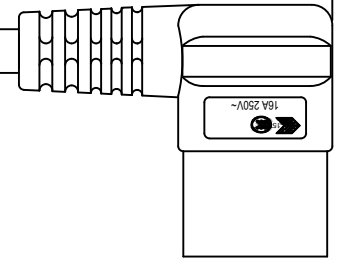
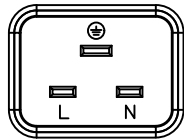
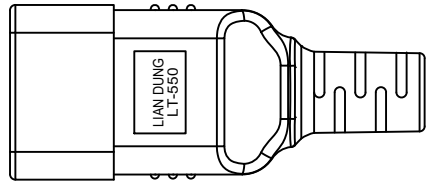
3.3 CHARACTERISTICS

NO	TEST ITEM	SPEC. VALUE	TEST RESULTS
1.	Moisture resistance test	Samples are kept in a humidity cabinet containing air with a relative humidity between 91 to 95% and a temperature of 20~30°C for a duration of 48 hours.	No damage
2.	Electric strength test	A voltage of A.C.2000V is applied for 1 min. after the moisture resistance test.	No flashover and breakdown
3.	Insulation resistance test	This test is measured with a D.C.500V after the moisture resistance test.	Min.5 M Ohm.
4.	Flexing test	The sample shall be loaded with a weight of 20N(2.04kg) and the oscillating number shall be moved backward and forward through an angle of 90°(45°on either side of the vertical) the number of flexing being 20,000 at the rate of 60 cycles per minutes. Specimens with circular section flexible cables are turned through 90°in the oscillating member after 10,000 flexings.	No damage
5.	Tumbling test	The samples are drop from a height of 50cm onto a plywood base(10mm thick) for a total of 1000 times	No damage
6.	Cold test	The samples are kept in a refrigerator at a temperature of -15±2°C, for 1 hour.	No damage
7.	Heat Deformation test	The samples are kept for 1 hour in a heating cabinet at temperature of 70±2°C.	No damage
8.	Forces necessary to insert and to withdraw	Multi-pin gauge maximum : 60N The connector / appliance outlet did not remain in the appliance inlet / plug Single-pin gauge minimum : 2N The single pin gauge did not fall from the contact assembly within 3 s	< 60N > 2N



Note:

L(Length) Unit:mm	T(Tolerance) Unit:mm	Part number	Color
5000	50	WN116-3/15/5WH	WHT
5000	50	WN116-3/15/5GY	GRY
5000	50	WN116-3/15/5BK	BLK
3000	50	WN116-3/15/3WH	WHT
3000	50	WN116-3/15/3GY	GRY
3000	50	WN116-3/15/3BK	BLK
1000	20	WN116-3/15/1WH	WHT
1000	20	WN116-3/15/1GY	GRY
1000	20	WN116-3/15/1BK	BLK
1800	50	WN116-3/15/1.8WH	WHT
1800	50	WN116-3/15/1.8GY	GRY
1800	50	WN116-3/15/1.8BK	BLK
500	10	WN116-3/15/0.5WH	WHT
500	10	WN116-3/15/0.5GY	GRY
500	10	WN116-3/15/0.5BK	BLK



NOTE :

1. PLUG : LT-550 EUROPEAN TYPE
2. CONNECTOR : LT-549R IEC-60320 C19
3. Strain relief : NA
4. CORD : H05VV-F 3X1.5mm²
5. APPROVALS : ENEC
6. CUSTOMER : TME
7. Supplier for flexible cord : RHYTHM, LIAN DUNG, I-SHENG
8. P/N : Above Note Chart

※Customer drawing number : NA

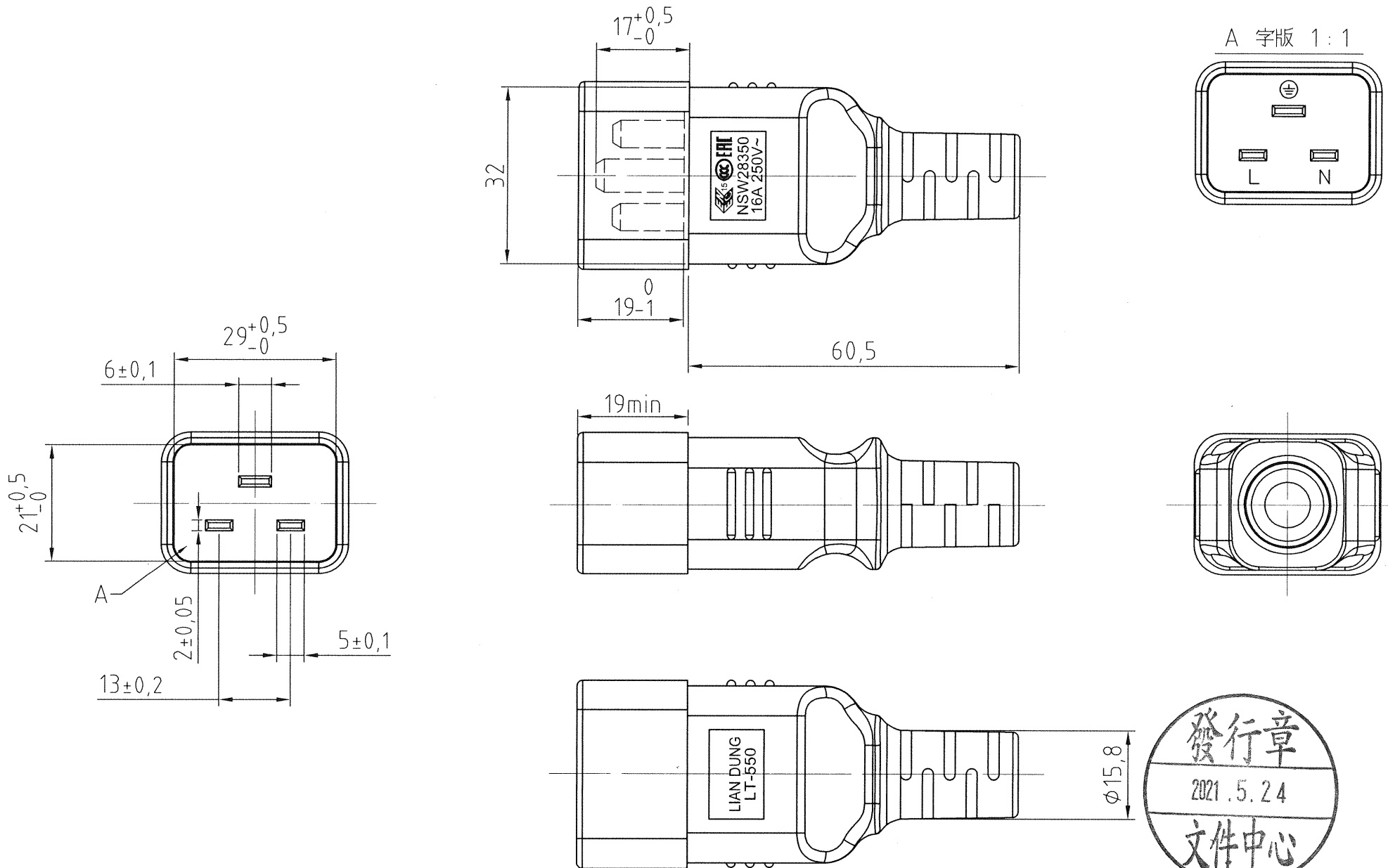
修改履歷

6		
5		
4		
3		
2		
1	新增	24/03/04
REV.	DESCRIPTION	DATE

DRAWER	廖柏昇	DATE	24/03/04	TITLE	LT-550+549R
APPROVE		REV.	1	Dr.No.	1130313
		TOL.			±5mm
		ALL DIMENSIONS IN mm			



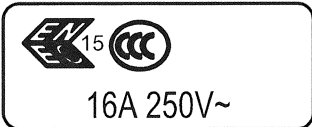
LIAN DUNG
ELECTRIC WIRE MATERIAL CO.,LTD.
聯東電線材料股份有限公司



PART	DESCRIPTION	DATE	DRAWER	廖柏昇	DATE	21/05/21	TITLE	LT-550-CB
1.			APPROVE		REV.	7	Dr.No.	C550002
2.					比例	1:1	TOL.	±0.8mm
3.							ALL DIMENSIONS IN mm	



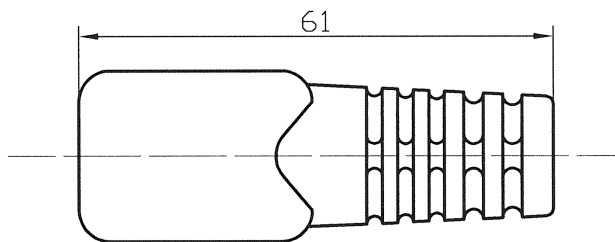
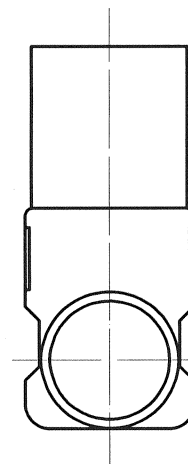
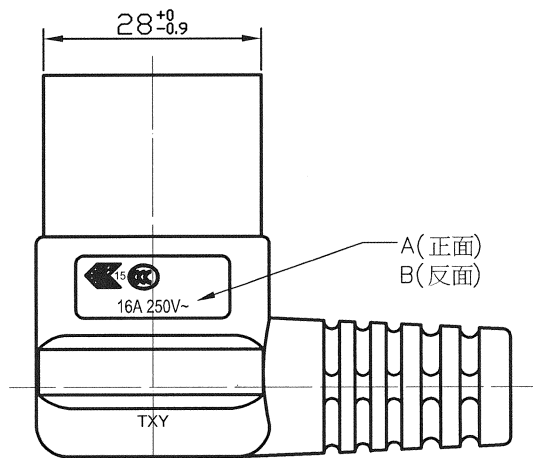
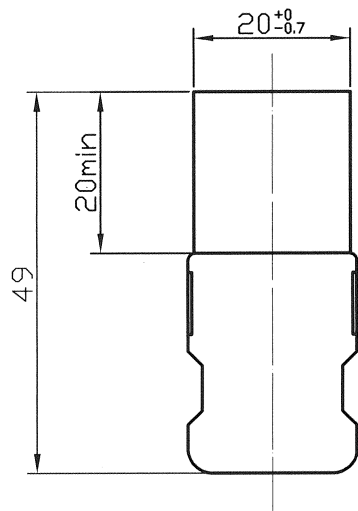
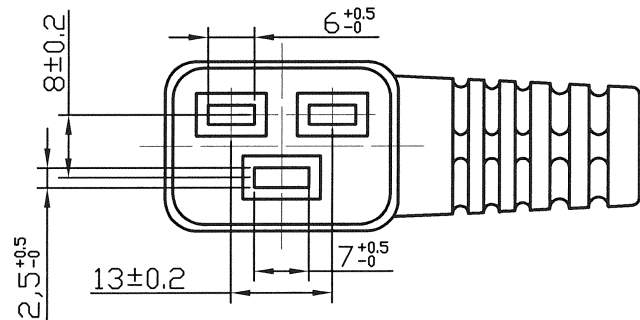
LIAN DUNG
ELECTRIC WIRE MATERIAL CO.,LTD.
聯東電線材料股份有限公司



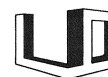
LT-549R
LIAN DUNG

A SCALE 2:1

B SCALE 2:1



PART	DESCRIPTION	DATE	DRAWER	DATE	TITLE
1.			廖柏昇 林明宗	19/11/20	LT-549R-CB
2.			APPROVE	5	Dr.No. C549R02
3.			比例	1:1	TOL. ±0.8mm
ALL DIMENSIONS IN mm					



LIAN DUNG
ELECTRIC WIRE MATERIAL CO.,LTD.
聯東電線材料股份有限公司

ENEC LICENSE

License No. ENEC-04470

Page 1/2

Date of Issue 2023-06-02

License Holder	LIAN DUNG ELECTRIC WIRE MATERIAL CO LTD 515-16 SEC 2 SAN FENG RD FENG YUAN DISTRICT TAICHUNG 42073 TAIWAN
Production site	LIAN DUNG ELECTRIC WIRE MATERIAL CO LTD 515-16 SEC 2 SAN FENG RD FENG YUAN DISTRICT TAICHUNG 42073 TAIWAN
Certification Mark	See Annex 1
Certified Product	Plug Connector
Model	LT-550
Trademark	LIAN DUNG
Ratings	16 A, 250 V~
Tested acc. to	EN IEC 60320-1:2021, EN 60320-3:2014, EN 60320-3:2014/A1:2021
Test Report No.	4790765544 issued on 2023-05-29
Additional Information	This certificate replaces the earlier issued ENEC-01630-A1 dated 2017-03-28 For class I equipment Standard Sheet: I (IEC/EN 60320-3) Type of cord: H05VV-F 3G1.0-1.5-2.5 mm ² H05RR-F 3G1.0-1.5 mm ² H05RN-F 3G1.0 mm ²

Certification Manager
Thomas Wilson

This is to certify that representative sample(s) of the Product described herein ("Certified Product") have been investigated and found in compliance with the Standard(s) indicated on this License, in accordance with the ENEC Requirements. The Designated License holder is entitled to use the ENEC 15 Mark (as shown in annex 1) for the Certified Product manufactured at the production site(s) identified above in accordance with the ENEC Mark Service Agreement including without limitation the ENEC Mark Testing and Certification Services Service Terms. Only those Products bearing the ENEC Mark should be considered as being covered by UL's ENEC Mark Service. This License shall remain valid unless terminated earlier in accordance with the Service Agreement including without limitation if the Standard identified on this License is amended or withdrawn prior the Date of Withdrawal of conflicting Standard(s).

Certification Body

UL International Demko A/S, Borupvang 5A, DK-2750
Ballerup, Denmark, Tel. +45 44 85 65 65, info.dk@ul.com
www.ul.com



Annex 1 to License No.

ENEC-04470

Annex of the form of the Mark



15 is the identification number of the Certification Body

Size of the mark:

The size of the mark may be reduced on the condition that it remains legible and that the ratio $b/a=1,7$ is kept.

Certification Body

This is to certify that representative sample(s) of the Product described herein ("Certified Product") have been investigated and found in compliance with the Standard(s) indicated on this License, in accordance with the ENEC Requirements. The Designated License holder is entitled to use the ENEC 15 Mark (as shown in annex 1) for the Certified Product manufactured at the production site(s) identified above in accordance with the ENEC Mark Service Agreement including without limitation the ENEC Mark Testing and Certification Services Service Terms. Only those Products bearing the ENEC Mark should be considered as being covered by UL's ENEC Mark Service. This License shall remain valid unless terminated earlier in accordance with the Service Agreement including without limitation if the Standard identified on this License is amended or withdrawn prior the Date of Withdrawal of conflicting Standard(s).

ENEC LICENSE

License No. ENEC-04600

Page 1/3

Date of Issue 2023-10-03

License Holder	LIAN DUNG ELECTRIC WIRE MATERIAL CO LTD 515-16 SEC 2 SAN FENG RD FENG YUAN DISTRICT TAICHUNG 42073 TAIWAN
Production site	LIAN DUNG ELECTRIC WIRE MATERIAL CO LTD 515-16 SEC 2 SAN FENG RD FENG YUAN DISTRICT TAICHUNG 42073 TAIWAN
Certification Mark	See Annex 1
Certified Product	Connector for Class I Equipment for Cold Condition
Model	LT-549L, LT-549R, LT-915
Trademark	LIAN DUNG
Ratings	16 A, 250 V~
Tested acc. to	EN IEC 60320-1:2021
Test Report No.	4790896840 issued on 2023-09-25
Additional Information	This certificate replaces the earlier issued ENEC-01636 dated 2017-03-27 See page 2 for additional information

Certification Manager
Thomas Wilson

Certification Body

This is to certify that representative sample(s) of the Product described herein ("Certified Product") have been investigated and found in compliance with the Standard(s) indicated on this License, in accordance with the ENEC Requirements. The Designated License holder is entitled to use the ENEC 15 Mark (as shown in annex 1) for the Certified Product manufactured at the production site(s) identified above in accordance with the ENEC Mark Service Agreement including without limitation the ENEC Mark Testing and Certification Services Service Terms. Only those Products bearing the ENEC Mark should be considered as being covered by UL's ENEC Mark Service. This License shall remain valid unless terminated earlier in accordance with the Service Agreement including without limitation if the Standard identified on this License is amended or withdrawn prior the Date of Withdrawal of conflicting Standard(s).

UL International Demko A/S, Borupvang 5A, DK-2750
Ballerup, Denmark, Tel. +45 44 85 65 65, info.dk@ul.com
www.ul.com



ENEC LICENSE

License No. ENEC-04600
Page 2/3
Date of Issue 2023-10-03

Additional information:

For class I equipment
Standard Sheet: C19 (IEC/EN 60320-3)

Type of cord:
H05VV-F 3G1.0-1.5 mm²

Model LT-915 is provided with straight cable entry
Models LT-549L, LT-549R are provided with angled cable entry

Certification Body

This is to certify that representative sample(s) of the Product described herein ("Certified Product") have been investigated and found in compliance with the Standard(s) indicated on this License, in accordance with the ENEC Requirements. The Designated License holder is entitled to use the ENEC 15 Mark (as shown in annex 1) for the Certified Product manufactured at the production site(s) identified above in accordance with the ENEC Mark Service Agreement including without limitation the ENEC Mark Testing and Certification Services Service Terms. Only those Products bearing the ENEC Mark should be considered as being covered by UL's ENEC Mark Service. This License shall remain valid unless terminated earlier in accordance with the Service Agreement including without limitation if the Standard identified on this License is amended or withdrawn prior the Date of Withdrawal of conflicting Standard(s).



Annex 1 to License No.

ENEC-04600

Annex of the form of the Mark



15 is the identification number of the Certification Body

Size of the mark:

The size of the mark may be reduced on the condition that it remains legible and that the ratio $b/a=1,7$ is kept.

Certification Body

This is to certify that representative sample(s) of the Product described herein ("Certified Product") have been investigated and found in compliance with the Standard(s) indicated on this License, in accordance with the ENEC Requirements. The Designated License holder is entitled to use the ENEC 15 Mark (as shown in annex 1) for the Certified Product manufactured at the production site(s) identified above in accordance with the ENEC Mark Service Agreement including without limitation the ENEC Mark Testing and Certification Services Service Terms. Only those Products bearing the ENEC Mark should be considered as being covered by UL's ENEC Mark Service. This License shall remain valid unless terminated earlier in accordance with the Service Agreement including without limitation if the Standard identified on this License is amended or withdrawn prior the Date of Withdrawal of conflicting Standard(s).

ZEICHENGENEHMIGUNG MARKS APPROVAL

Rhythm Wire Industrial
Co., Ltd.
No. 147 Yih-Lin Road
Jen Te Hsiang
717 TAINAN COUNTY
TAIWAN

ist berechtigt, für ihr Produkt /
is authorized to use for their product

Starkstromleitungen für allgemeine Anwendungen
- Flexible Leitungen
mit thermoplastischer PVC-Isolierung
Cables for general applications
- Flexible cables with
thermoplastic PVC insulation

die hier abgebildeten markenrechtlich geschützten Zeichen
für die ab Blatt 2 aufgeführten Typen zu benutzen /
the legally protected Marks as shown below for the types referred to on page 2 ff.



Geprüft und zertifiziert nach /
Tested and certified according to

DIN EN 50525-2-11 (VDE 0285-525-2-11):2012-01; EN 50525-2-11:2011

VDE Prüf- und Zertifizierungsinstitut GmbH
VDE Testing and Certification Institute
Zertifizierungsstelle / *Certification*


J. Gutermann

VDE Zertifikate sind nur gültig bei Veröffentlichung unter:
VDE certificates are valid only when published on:

VDE

Aktenzeichen: 1423800-5140-0005 / 179742

File ref.:

Ausweis-Nr. 94010

Blatt 1

Certificate No.

Page

Weitere Bedingungen siehe Rückseite und Folgeblätter /
further conditions see overleaf and following pages

Offenbach, 1996-05-14

(letzte Änderung / updated 2014-03-21)

<http://www.vde.com/zertifikat>

<http://www.vde.com/certificate>



Name und Sitz des Genehmigungs-Inhabers / Name and registered seat of the Certificate holder
Rhythm Wire Industrial Co., Ltd., No. 147 Yih-Lin Road, Jen Te Hsiang, 717 TAINAN COUNTY, TAIWAN

Aktenzeichen / File ref.
1423800-5140-0005 / 179742 / CC5 / STR

letzte Änderung / updated Datum / Date
2014-03-21 1996-05-14

Dieses Blatt gilt nur in Verbindung mit Blatt 1 des Zeichengenehmigungsausweises Nr. 94010.
This supplement is only valid in conjunction with page 1 of the Certificate No. 94010.

Starkstromleitungen für allgemeine Anwendungen - Flexible Leitungen mit thermoplastischer PVC-Isolierung *Cables for general applications - Flexible cables with thermoplastic PVC insulation*

Typ(en) / Type(s)

H03VV-F 2...4 x 0,5...0,75 mm ²	+
H03VVH2-F 2 x 0,5...0,75 mm ²	+
H05VV-F 2...5 x 0,75...1,5 mm ²	+
H05VVH2-F 2 x 0,75...1,0 mm ²	+

Leitungsbauart <i>Type of cable</i>	Standardleitungen <i>General purpose cables</i>
--	--

Firmenzeichen <i>Trademark</i>	RHYTHM
-----------------------------------	--------

Dieser Zeichengenehmigungs-Ausweis bildet eine Grundlage für die EG-Konformitätserklärung und CE-Kennzeichnung durch den Hersteller oder dessen Bevollmächtigten und bescheinigt die Konformität mit den grundlegenden Schutzanforderungen der **EG-Niederspannungsrichtlinie 2006/95/EG** mit ihren Änderungen.
*This Marks Approval is a basis for the EC Declaration of Conformity and the CE Marking by the manufacturer or his agent and proves the conformity with the essential safety requirements of the **EC Low-Voltage Directive 2006/95/EC** including amendments.*

VDE Prüf- und Zertifizierungsinstitut GmbH
VDE Testing and Certification Institute
Fachgebiet CC5
Section CC5

VDE Prüf- und Zertifizierungsinstitut Zeichengenehmigung

Ausweis-Nr. / Beiblatt /
Certificate No. Supplement
94010

Name und Sitz des Genehmigungs-Inhabers / *Name and registered seat of the Certificate holder*

Rhythm Wire Industrial Co., Ltd., No. 147 Yih-Lin Road, Jen Te Hsiang, 717 TAINAN COUNTY, TAIWAN

Aktenzeichen / *File ref.*

1423800-5140-0005 / 179742 / CC5 / STR

letzte Änderung / *updated*

2014-03-21

Datum / *Date*

1996-05-14

Dieses Beiblatt ist Bestandteil des Zeichengenehmigungsausweises Nr. 94010.

This supplement is part of the Certificate No. 94010.

Starkstromleitungen für allgemeine Anwendungen - Flexible Leitungen mit thermoplastischer PVC-Isolierung *Cables for general applications - Flexible cables with thermoplastic PVC insulation*

Fertigungsstätte(n)

Place(s) of manufacture

Referenz/*Reference*
30000865

Rhythm Wire Industrial
Co., Ltd.
No. 147 Yih-Lin Road
Jen Te Hsiang
717 TAINAN COUNTY
TAIWAN

VDE Prüf- und Zertifizierungsinstitut GmbH
VDE Testing and Certification Institute
Fachgebiet CC5
Section CC5



VDE Prüf- und Zertifizierungsinstitut Zeichengenehmigung

Ausweis-Nr. / Infoblatt /
Certificate No. / Info sheet
94010

Name und Sitz des Genehmigungs-Inhabers / Name and registered seat of the Certificate holder

Rhythm Wire Industrial Co., Ltd., No. 147 Yih-Lin Road, Jen Te Hsiang, 717 TAINAN COUNTY, TAIWAN

Aktenzeichen / File ref.

1423800-5140-0005 / 179742 / CC5 / STR

letzte Änderung / updated

2014-03-21

Datum / Date

1996-05-14

Dieses Blatt gilt nur in Verbindung mit Blatt 1 des Zeichengenehmigungsausweises Nr. 94010.

This supplement is only valid in conjunction with page 1 of the Certificate No. 94010.

Genehmigung zum Benutzen des auf Seite 1 abgebildeten markenrechtlich geschützten Zeichens des VDE:

Grundlage für die Benutzung sind die Allgemeinen Geschäftsbedingungen (AGB) der VDE Prüf- und Zertifizierungsinstitut GmbH (www.vde.com\AGB-Institut). Das Recht zur Benutzung erstreckt sich nur auf die bezeichnete Firma mit den genannten Fertigungsstätten und die oben aufgeführten Produkte mit den zugeordneten Bezeichnungen. Die Fertigungsstätte muss so eingerichtet sein, dass eine gleichmäßige Herstellung der geprüften und zertifizierten Ausführung gewährleistet ist.

Die Genehmigung ist so lange gültig wie die VDE-Bestimmungen gelten, die der Zertifizierung zugrunde gelegen haben, sofern sie nicht auf Grund anderer Bedingungen aus der VDE Prüf- und Zertifizierungsordnung (PM102) zurückgezogen werden muss.

Der Gültigkeitszeitraum einer VDE-GS-Zeichengenehmigung kann auf Antrag verlängert werden. Bei gesetzlichen und / oder normativen Änderungen kann die VDE-GS-Zeichengenehmigung ihre Gültigkeit zu einem früheren als dem angegebenen Datum verlieren.

Produkte, die das Biozid Dimethylfumarat (DMF) enthalten, dürfen gemäß der Kommissionsentscheidung 2009/251/EG nicht mehr in den Verkehr gebracht oder auf dem Markt bereitgestellt werden.

Der VDE-Zeichengenehmigungsausweis wird ausschließlich auf der ersten Seite unterzeichnet.

Approval to use the legally protected Mark of the VDE as shown on the first page:

Basis for the use are the general terms and conditions of the VDE Testing and Certification Institute (www.vde.com/terms-institute). The right to use the mark is granted only to the mentioned company with the named places of manufacture and the listed products with the related type references. The place of manufacture shall be equipped in a way that a constant manufacturing of the certified construction is assured.

The approval is valid as long as the VDE specifications are in force, on which the certification is based on, unless it is withdrawn according to the VDE Testing and Certification Procedure (PM102E).

The validity period of a VDE-GS-Mark Approval may be prolonged on request. In case of changes in legal and / or normative requirements, the validity period of a VDE-GS-Mark Approval may be shortened.

Products containing the biocide dimethylfumarate (DMF) may not be marketed or made available on the EC market according to the Commission Decision 2009/251/EC.

The approval is solely signed on the first page.

ZEICHENGENEHMIGUNG MARKS APPROVAL

I-Sheng Electric Wire & Cable
Co., Ltd.
52 Tin Hwu Road, Ta Hua Village
33334 GWAI SAN, TAOYUAN HSIEN
TAIWAN

ist berechtigt, für ihr Produkt /
is authorized to use for their product

Starkstromleitungen für allgemeine Anwendungen
- Flexible Leitungen
mit thermoplastischer PVC-Isolierung
Cables for general applications
- Flexible cables with
thermoplastic PVC insulation

die hier abgebildeten markenrechtlich geschützten Zeichen
für die ab Blatt 2 aufgeführten Typen zu benutzen /
the legally protected Marks as shown below for the types referred to on page 2 ff.



oder/or



oder/or



schwarz
black

rot
red

Geprüft und zertifiziert nach /
Tested and certified according to

DIN EN 50525-2-11 (VDE 0285-525-2-11):2012-01; EN 50525-2-11:2011



VDE Prüf- und Zertifizierungsinstitut GmbH
VDE Testing and Certification Institute
Zertifizierungsstelle / *Certification*

S. Berber

VDE Zertifikate sind nur gültig bei Veröffentlichung unter:
VDE certificates are valid only when published on:

Aktenzeichen: 1276303-5140-0005 / 170954
File ref.:

Ausweis-Nr. 40006070 Blatt 1
Certificate No. Page

Weitere Bedingungen siehe Rückseite und Folgeblätter /
further conditions see overleaf and following pages

Offenbach, 2003-04-25
(letzte Änderung/updated 2012-10-12)

<http://www.vde.com/zertifikat>
<http://www.vde.com/certificate>

Name und Sitz des Genehmigungs-Inhabers / *Name and registered seat of the Certificate holder*
I-Sheng Electric Wire & Cable Co., Ltd., 52 Tin Hwu Road, Ta Hua Village, 33334 GWAI SAN,
TAOYUAN HSIEN, TAIWAN

Aktenzeichen / *File ref.*
1276303-5140-0005 / 170954 / FG42 / HEG

letzte Änderung / *updated* Datum / *Date*
2012-10-12 2003-04-25

Dieses Blatt gilt nur in Verbindung mit Blatt 1 des Zeichengenehmigungsausweises Nr. 40006070
This supplement is only valid in conjunction with page 1 of the Certificate No. 40006070.

Starkstromleitungen für allgemeine Anwendungen
- Flexible Leitungen
mit thermoplastischer PVC-Isolierung
Cables for general applications
- Flexible cables with
thermoplastic PVC insulation

Typ(en) / *Type(s)*:

H03VV-F 2...3 x 0,5...0,75 mm ²	+
H03VVH2-F 2 x 0,5...0,75 mm ²	+
H05VV-F 2...5 x 0,75..2,5 mm ²	+
H05VVH2-F 2 X 0,75...1,0 mm ²	+

Leitungsbauart <i>Type of cable</i>	Standardleitungen <i>General purpose cables</i>
--	--

Firmenzeichen <i>Trademark</i>	I-SHENG SGIS
-----------------------------------	--------------

Dieser Zeichengenehmigungs-Ausweis bildet eine Grundlage für die EG-Konformitätserklärung und CE-Kennzeichnung durch den Hersteller oder dessen Bevollmächtigten und bescheinigt die Konformität mit den grundlegenden Schutzanforderungen der **EG-Niederspannungsrichtlinie 2006/95/EG** mit ihren Änderungen.

This Marks Approval is a basis for the EC Declaration of Conformity and the CE Marking by the manufacturer or his agent and proves the conformity with the essential safety requirements of the EC Low-Voltage Directive 2006/95/EC including amendments.

VDE Prüf- und Zertifizierungsinstitut GmbH
VDE Testing and Certification Institute
Fachgebiet FG42
Section FG42

Name und Sitz des Genehmigungs-Inhabers / *Name and registered seat of the Certificate holder*
I-Sheng Electric Wire & Cable Co., Ltd., 52 Tin Hwu Road, Ta Hua Village, 33334 GWAI SAN,
TAOYUAN HSIEN, TAIWAN

Aktenzeichen / *File ref.*
1276303-5140-0005 / 170954 / FG42 / HEG

letzte Änderung / *updated* Datum / *Date*
2012-10-12 2003-04-25

Dieses Beiblatt ist Bestandteil des Zeichengenehmigungsausweises Nr. 40006070.
This supplement is part of the Certificate No. 40006070.

Starkstromleitungen für allgemeine Anwendungen
- Flexible Leitungen
mit thermoplastischer PVC-Isolierung
Cables for general applications
- Flexible cables with
thermoplastic PVC insulation

Fertigungsstätte(n)
Place(s) of manufacture

Referenz/*Reference* I-Sheng Mfg (Song Gang) Factory
30006550 Tang Xiayong Road
Songgang Town
518105 BAOAN AREA, SHENZHEN
Guangdong
CHINA

VDE Prüf- und Zertifizierungsinstitut GmbH
VDE Testing and Certification Institute
Fachgebiet FG42
Section FG42

VDE Prüf- und Zertifizierungsinstitut

Zeichengenehmigung

Ausweis-Nr. / Infoblatt /
Certificate No. Info sheet
40006070

Name und Sitz des Genehmigungs-Inhabers / *Name and registered seat of the Certificate holder*

I-Sheng Electric Wire & Cable Co., Ltd., 52 Tin Hwu Road, Ta Hua Village, 33334 GWAI SAN, TAOYUAN HSIEN, TAIWAN

Aktenzeichen / *File ref.*

1276303-5140-0005 / 170954 / FG42 / HEG

letzte Änderung / *updated* Datum / *Date*

2012-10-12

2003-04-25

Dieses Blatt gilt nur in Verbindung mit Blatt 1 des Zeichengenehmigungsausweises Nr. 40006070

This supplement is only valid in conjunction with page 1 of the Certificate No. 40006070.

Genehmigung zum Benutzen des auf Seite 1 abgebildeten markenrechtlich geschützten Zeichens des VDE:

Grundlage für die Benutzung sind die Allgemeinen Geschäftsbedingungen (AGB) der VDE Prüf- und Zertifizierungsinstitut GmbH (www.vde.com\AGB-Institut). Das Recht zur Benutzung erstreckt sich nur auf die bezeichnete Firma mit den genannten Fertigungsstätten und die oben aufgeführten Produkte mit den zugeordneten Bezeichnungen. Die Fertigungsstätte muss so eingerichtet sein, dass eine gleichmäßige Herstellung der geprüften und zertifizierten Ausführung gewährleistet ist.

Die Genehmigung ist so lange gültig wie die VDE-Bestimmungen gelten, die der Zertifizierung zugrunde gelegen haben, sofern sie nicht auf Grund anderer Bedingungen aus der VDE Prüf- und Zertifizierungsordnung (PM102) zurückgezogen werden muss.

Der Gültigkeitszeitraum einer VDE-GS-Zeichengenehmigung kann auf Antrag verlängert werden. Bei gesetzlichen und / oder normativen Änderungen kann die VDE-GS-Zeichengenehmigung ihre Gültigkeit zu einem früheren als dem angegebenen Datum verlieren.

Produkte, die das Biozid Dimethylfumarat (DMF) enthalten, dürfen gemäß der Kommissionsentscheidung 2009/251/EG nicht mehr in den Verkehr gebracht oder auf dem Markt bereitgestellt werden.

Der VDE-Zeichengenehmigungsausweis wird ausschließlich auf der ersten Seite unterzeichnet.

Approval to use the legally protected Mark of the VDE as shown on the first page:

Basis for the use are the general terms and conditions of the VDE Testing and Certification Institute (www.vde.com\terms-institute). The right to use the mark is granted only to the mentioned company with the named places of manufacture and the listed products with the related type references. The place of manufacture shall be equipped in a way that a constant manufacturing of the certified construction is assured.

The approval is valid as long as the VDE specifications are in force, on which the certification is based on, unless it is withdrawn according to the VDE Testing and Certification Procedure (PM102E).

The validity period of a VDE-GS-Mark Approval may be prolonged on request. In case of changes in legal and / or normative requirements, the validity period of a VDE-GS-Mark Approval may be shortened.

Products containing the biocide dimethylfumarate (DMF) may not be marketed or made available on the EC market according to the Commission Decision 2009/251/EC.

The approval is solely signed on the first page.

ZEICHENGENEHMIGUNG MARKS APPROVAL

Lian Dung Electric Wire
Material Co., Ltd.
No. 515-16, Sec. 2, San Feng Road
Feng Yuan District
420 Taichung City
Taiwan

ist berechtigt, für ihr Produkt /
is authorized to use for their product

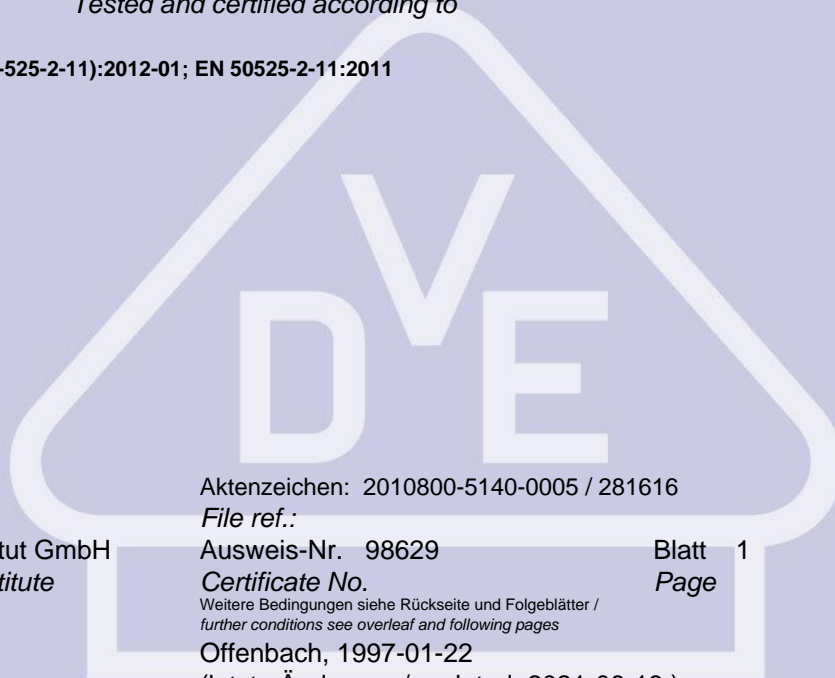
**Starkstromleitungen für allgemeine Anwendungen -
Flexible Leitungen mit thermoplastischer PVC-Isolierung**
***Cables for general applications -
Flexible cables with thermoplastic PVC insulation***

die hier abgebildeten markenrechtlich geschützten Zeichen
für die ab Blatt 2 aufgeführten Typen zu benutzen /
the legally protected Marks as shown below for the types referred to on page 2 ff.

◁VDE▷ oder/or ◁▷⊞▷ oder/or 
schwarz rot
black red

Geprüft und zertifiziert nach /
Tested and certified according to

DIN EN 50525-2-11 (VDE 0285-525-2-11):2012-01; EN 50525-2-11:2011



Aktenzeichen: 2010800-5140-0005 / 281616

File ref.:

Ausweis-Nr. 98629

Blatt 1

Certificate No.

Page

Weitere Bedingungen siehe Rückseite und Folgeblätter /
further conditions see overleaf and following pages

Offenbach, 1997-01-22

(letzte Änderung / updated 2021-06-18)

VDE Prüf- und Zertifizierungsinstitut GmbH
VDE Testing and Certification Institute
Zertifizierungsstelle / Certification

R. Nickel

VDE Zertifikate sind nur gültig bei Veröffentlichung unter:
VDE certificates are valid only when published on:

<http://www.vde.com/zertifikat>
<http://www.vde.com/certificate>

Name und Sitz des Genehmigungs-Inhabers / *Name and registered seat of the Certificate holder*

Lian Dung Electric Wire Material Co., Ltd., No. 515-16, Sec. 2, San Feng Road, Feng Yuan District, 420
TAICHUNG CITY, TAIWAN

Aktenzeichen / *File ref.*

2010800-5140-0005 / 281616 / TL6 / KUJ

letzte Änderung / *updated*

2021-06-18

Datum / *Date*

1997-01-22

Dieses Blatt gilt nur in Verbindung mit Blatt 1 des Zeichengenehmigungsausweises Nr. 98629.

This supplement is only valid in conjunction with page 1 of the Certificate No. 98629.

Starkstromleitungen für allgemeine Anwendungen - Flexible Leitungen mit thermoplastischer PVC-Isolierung *Cables for general applications - Flexible cables with thermoplastic PVC insulation*

Typ(en) / *Type(s)*

H03VV-F 2...3 x 0,5...0,75 mm ²	+
H03VVH2-F 2 x 0,5...0,75 mm ²	+
H05VV-F 2...3 x 0,75...2,5 mm ²	+
H05VVH2-F 2 x 0,75...1,0 mm ²	+

Leitungsbauart

Type of cable

Standardleitungen

General purpose cables

Firmenzeichen

Trademark

LIAN DUNG

Dieser Zeichengenehmigungs-Ausweis bildet eine Grundlage für die EG-Konformitätserklärung und CE-Kennzeichnung durch den Hersteller oder dessen Bevollmächtigten und bescheinigt die Konformität mit den grundlegenden Schutzanforderungen der **EG-Niederspannungsrichtlinie 2014/35/EU**.

*This Marks Approval is a basis for the EC Declaration of Conformity and the CE Marking by the manufacturer or his agent and proves the conformity with the essential safety requirements of the **EC Low-Voltage Directive 2014/35/EU**.*

VDE Prüf- und Zertifizierungsinstitut GmbH

VDE Testing and Certification Institute

Fachgebiet TL6

Section TL6

Name und Sitz des Genehmigungs-Inhabers / *Name and registered seat of the Certificate holder*

Lian Dung Electric Wire Material Co., Ltd., No. 515-16, Sec. 2, San Feng Road, Feng Yuan District, 420
TAICHUNG CITY, TAIWAN

Aktenzeichen / *File ref.*

2010800-5140-0005 / 281616 / TL6 / KUJ

letzte Änderung / *updated*

2021-06-18

Datum / *Date*

1997-01-22

Dieses Beiblatt ist Bestandteil des Zeichengenehmigungsausweises Nr. 98629.

This supplement is part of the Certificate No. 98629.

**Starkstromleitungen für allgemeine Anwendungen -
Flexible Leitungen mit thermoplastischer PVC-Isolierung**
***Cables for general applications -
Flexible cables with thermoplastic PVC insulation***

Fertigungsstätte(n)

Place(s) of manufacture

Referenz/*Reference*
30026478

Anhui Lian Dung Electric
Component Co., Ltd.
No.8 Quanshui Road, Heli Industrial Area
Ningguo Economic & Technology Dev. Zone
242300 NINGGUO
Anhui
CHINA

VDE Prüf- und Zertifizierungsinstitut GmbH
VDE Testing and Certification Institute
Fachgebiet TL6
Section TL6

Name und Sitz des Genehmigungs-Inhabers / *Name and registered seat of the Certificate holder*

Lian Dung Electric Wire Material Co., Ltd., No. 515-16, Sec. 2, San Feng Road, Feng Yuan District, 420
TAICHUNG CITY, TAIWAN

Aktenzeichen / *File ref.*

2010800-5140-0005 / 281616 / TL6 / KUJ

letzte Änderung / *updated*

2021-06-18

Datum / *Date*

1997-01-22

Dieses Blatt gilt nur in Verbindung mit Blatt 1 des Zeichengenehmigungsausweises Nr. 98629.

This supplement is only valid in conjunction with page 1 of the Certificate No. 98629.

Genehmigung zum Benutzen des auf Seite 1 abgebildeten markenrechtlich geschützten Zeichens des VDE:

Grundlage für die Benutzung sind die Allgemeinen Geschäftsbedingungen (AGB) der VDE Prüf- und Zertifizierungsinstitut GmbH (www.vde.com\AGB-Institut). Das Recht zur Benutzung erstreckt sich nur auf die bezeichnete Firma mit den genannten Fertigungsstätten und die oben aufgeführten Produkte mit den zugeordneten Bezeichnungen. Die Fertigungsstätte muss so eingerichtet sein, dass eine gleichmäßige Herstellung der geprüften und zertifizierten Ausführung gewährleistet ist.

Die Genehmigung ist so lange gültig wie die VDE-Bestimmungen gelten, die der Zertifizierung zugrunde gelegen haben, sofern sie nicht auf Grund anderer Bedingungen aus der VDE Prüf- und Zertifizierungsordnung (PM102) zurückgezogen werden muss.

Der Gültigkeitszeitraum einer VDE-GS-Zeichengenehmigung kann auf Antrag verlängert werden. Bei gesetzlichen und / oder normativen Änderungen kann die VDE-GS-Zeichengenehmigung ihre Gültigkeit zu einem früheren als dem angegebenen Datum verlieren.

Produkte, die das Biozid Dimethylfumarat (DMF) enthalten, dürfen gemäß der Kommissionsentscheidung 2009/251/EG nicht mehr in den Verkehr gebracht oder auf dem Markt bereitgestellt werden.

Der VDE-Zeichengenehmigungsausweis wird ausschließlich auf der ersten Seite unterzeichnet.

Approval to use the legally protected Mark of the VDE as shown on the first page:

Basis for the use are the general terms and conditions of the VDE Testing and Certification Institute (www.vde.com\terms-institute). The right to use the mark is granted only to the mentioned company with the named places of manufacture and the listed products with the related type references. The place of manufacture shall be equipped in a way that a constant manufacturing of the certified construction is assured.

The approval is valid as long as the VDE specifications are in force, on which the certification is based on, unless it is withdrawn according to the VDE Testing and Certification Procedure (PM102E).

The validity period of a VDE-GS-Mark Approval may be prolonged on request. In case of changes in legal and / or normative requirements, the validity period of a VDE-GS-Mark Approval may be shortened.

Products containing the biocide dimethylfumarate (DMF) may not be marketed or made available on the EC market according to the Commission Decision 2009/251/EC.

The approval is solely signed on the first page.