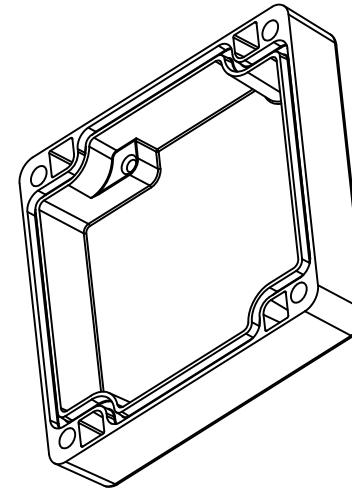
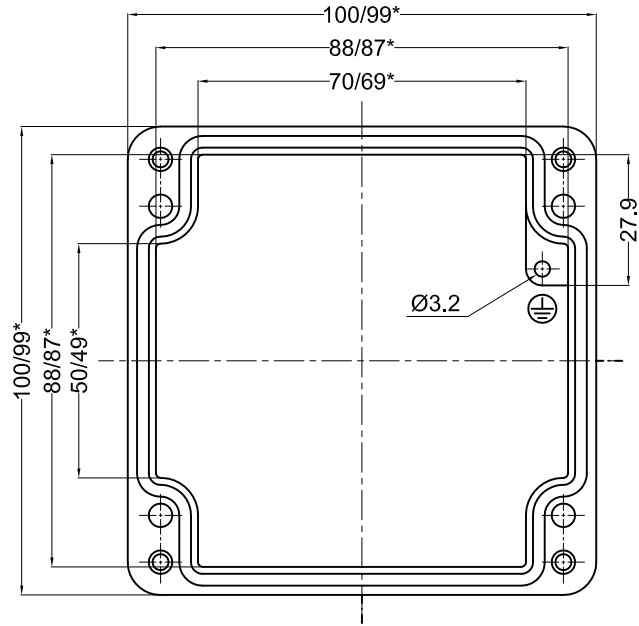
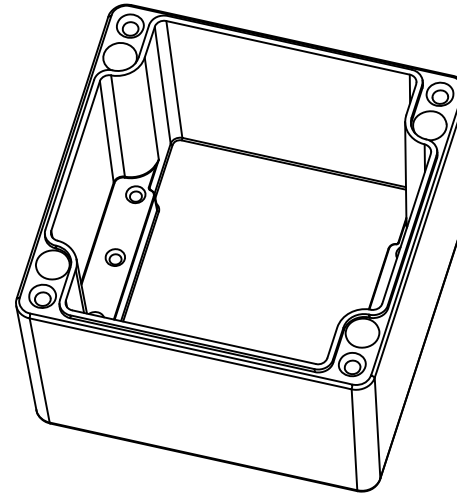
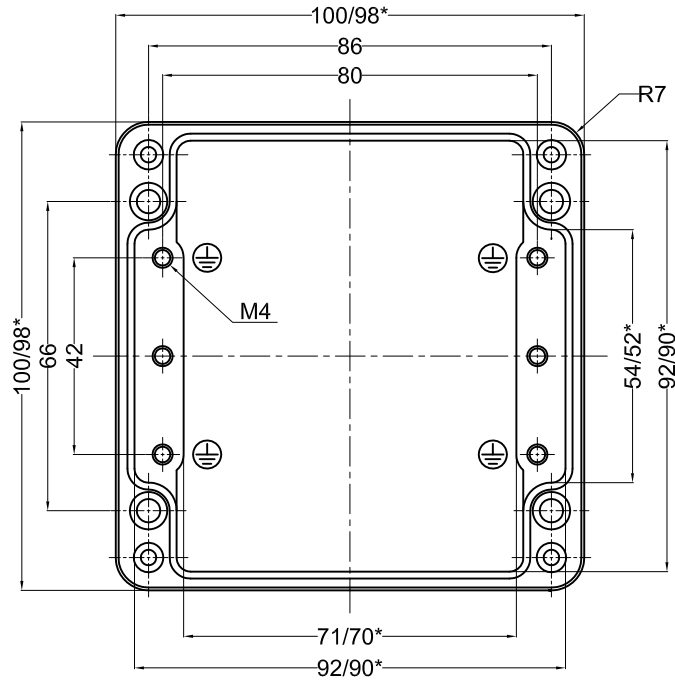



* = Conical form tapering downward.
 Untoleranced dimensions per GTA 13/5 DIN 1688

LID



BASE



- NOTE -
- 1) SHRINKAGE 0.5%
 - 2) THEORITICAL VOLUME -
 - 3) EJECTOR PIN DEPTH 0.1 - 0.5mm
 - 4) NON DIMENSIONAL RADIUS - 0.5mm
 - 5) ALL EDGES ARE BURR FREE
 - 6) FUNCTIONALLY CO-ORDINATED
 - 7) TOLERANCE AS PER DIN 1688 (GTA $\frac{1}{2}$ STD.
 maximum size / minimum size
 regarding tool deform
 - 8) Draft angle : out side max.2°, inside max.3°
 - 9)  =Functions-dimensions to be checked
 (TOLERANCE $\pm 0.10\text{mm}$)

PROPERTY OF RaychemRPG (P) LTD.
 ALL RIGHTS RESERVED AND/OR PHOTOCOPYING THIS DOCUMENT
 TO A PERSON WITHOUT RaychemRPG (P)LTD. WRITTEN AUTHORIZATION IS PROHIBITED

NO.	REV.NO.	DESCRIPTION	DATE	SIGN	NAME	CHECKED
QUANTITY	1	MATERIAL :- AlSi12 DIN230				
		MACH.NAME				
		TITLE :- JUNCTION BOX 100 x 100 x 81	09/06/12		MANOJ	DRAWN
		WEIGHT:				
		FINISH: NATURAL	09/06/12		PAVAN	CHECKED
TOLERANCE		ALL DIMENSION ARE IN MM				
± 0.1	DIMENSIONS					
± 0.1	HOLES					
$\pm 1.0^\circ$	ANGLES					
		Raychem RPG (P) Limited	SCALE		PARTNO.	0
		Ceat Mahal Annexe, Dr. Annie Besant Road , Worli , Mumbai 400030 Web : www.raychemrpg.com	REV		DRG. NO.	
			0		AJB-10010081	