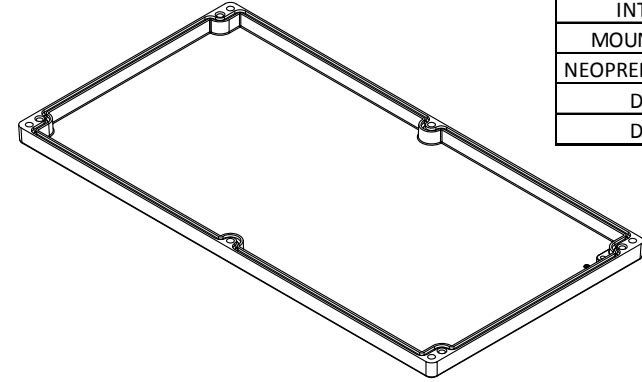
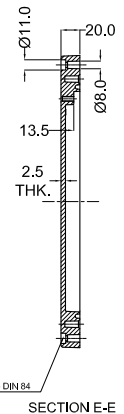
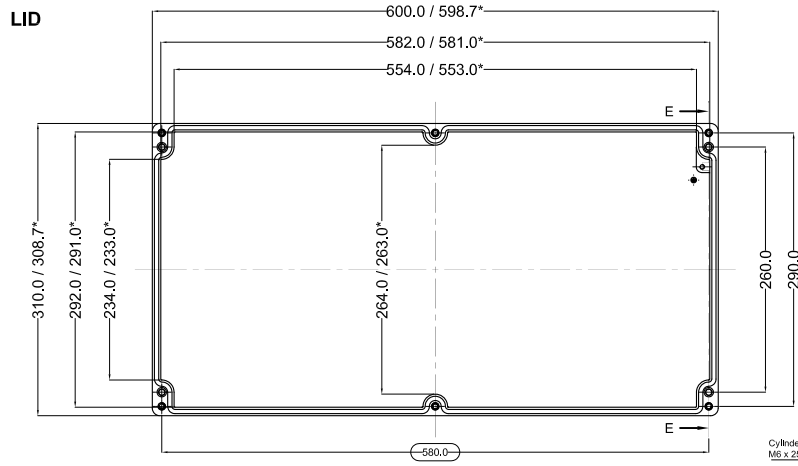
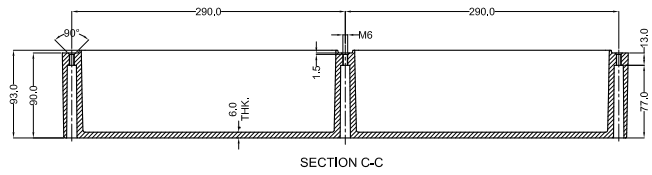


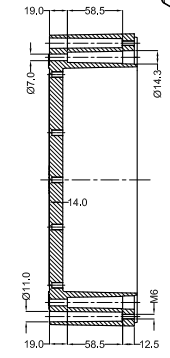
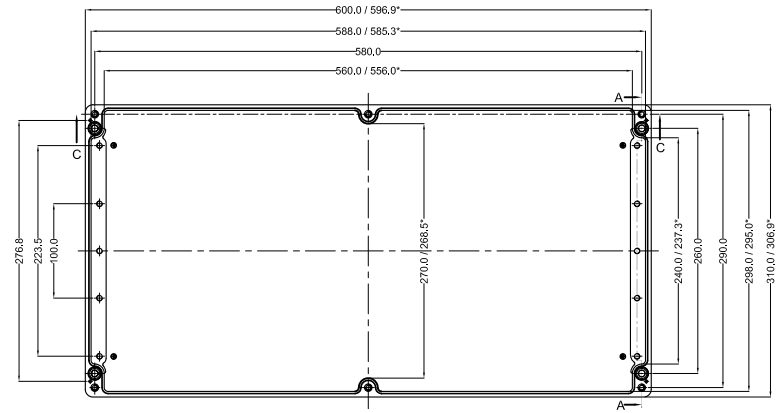
* = Conical form tapering downward.
 Untoleranced dimensions per GTA 13/5 DIN 1688



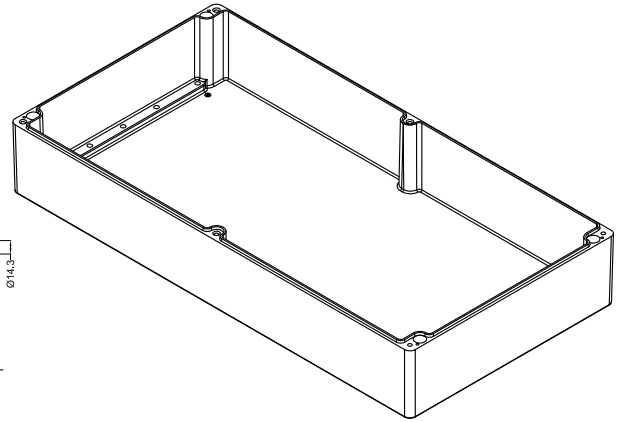
OPTIONAL ACCESSORIES		
PART NAME	QTY.	AVAILABILITY
MOUNTING PLATE	1	Y
EXTERNAL HINGE	2	Y
INTERNAL HINGE	2	Y
MOUNTING BRACKETS	4	Y
NEOPRENE/SILICON GASKET	1	Y
DIN RAIL TS15	-	N
DIN RAIL TS35	1	Y



SECTION C-C



SECTION A-A



BASE

QUANTITY	MATERIAL :-	MACH.NAME	DATE	SIGN	NAME	
-	Alsi 12	-	15/01/14		RRPL	DESIGN
	Din230		15/01/14		MANOJ	DRAWN
		TITLE :-	15/01/14		PAVAN	CHECKED
		JUNCTION BOX	15/01/14		S. D.	APPROVED
		600 x 310 x 110				
WEIGHT :	FINISH :	Raychem RPG (P) Limited	SCALE	PARTNO.		
-	NATURAL	Ceat Mahal Annexe,		-		
TOLERANCE		Dr. Annie Besant Road ,	REV	DRG. NO.		
±0.2	DIMENSIONS	Worli , Mumbai 400030	0	AJB-600310110		
±0.2	HOLES	Web : www.raychemrpg.com				
±1.0°	ANGLES					

PROPERTY OF RaychemRPG (P) LTD.
 ALL RIGHTS RESERVED AND/OR PHOTOCOPIING THIS DOCUMENT
 TO A PERSON WITHOUT RaychemRPG (P) LTD. WRITTEN AUTHORIZATION IS PROHIBITED