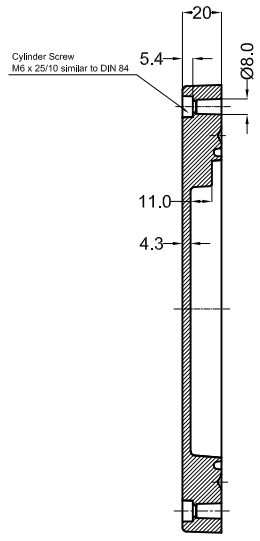
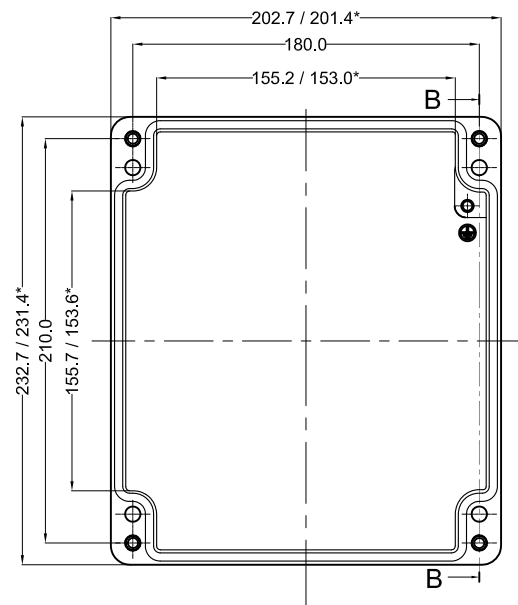


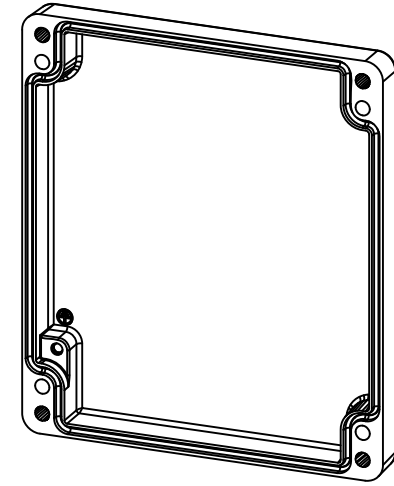
* = Conical form tapering downward.
 Untoleranced dimensions per GTA 13/5 DIN 1688

OPTIONAL ACCESSORIES		
PART NAME	QTY.	AVILABILITY
MOUNTING PLATE	1	Y
EXTERNAL HINGE	2	Y
INTERNAL HINGE	2	Y
MOUNTING BRACKETS	4	Y
NEOPRENE/SILICON GASKET	1	Y
DIN RAIL TS15	-	N
DIN RAIL TS35	1	Y

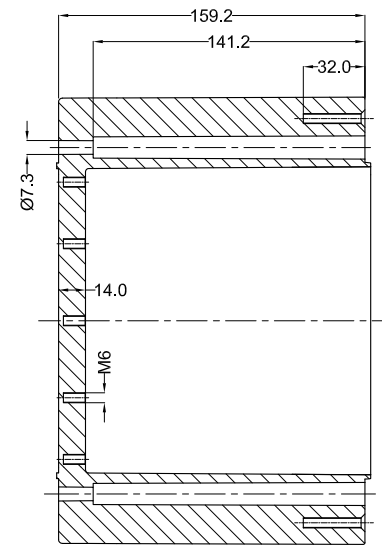
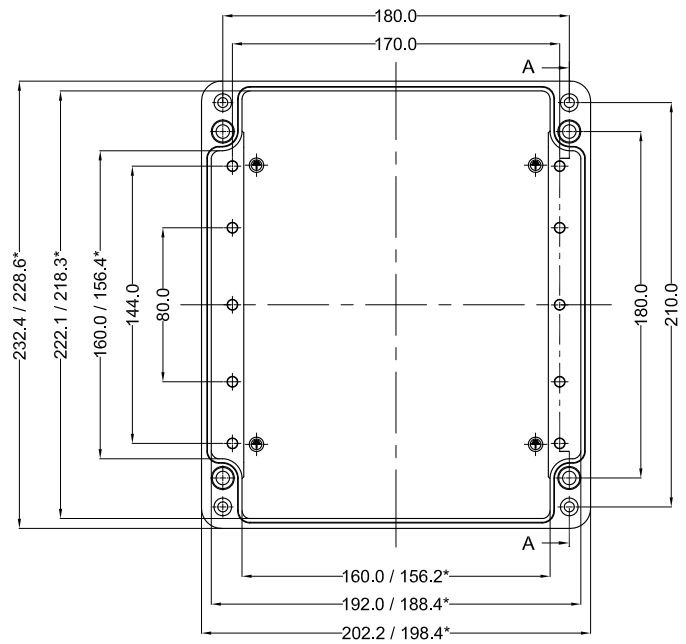
LID



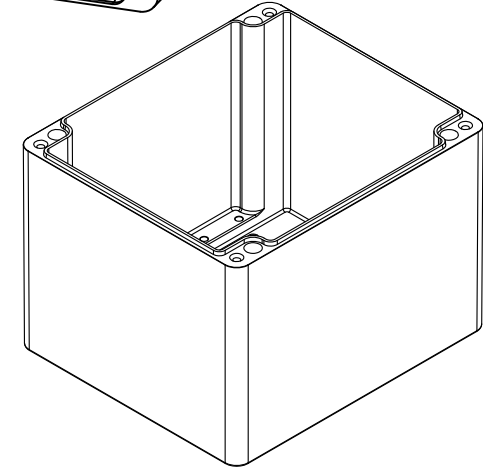
SECTION B-B

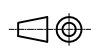


BASE



SECTION A-A



QUANTITY 1	MATERIAL :- ALs112 (Din230)	MACH.NAME -	DATE 18/06/12	SIGN MANOJ	NAME DRAWN
 TOLERANCE ±0.2 DIMENSIONS ±0.2 HOLES ±1.0° ANGLES	WEIGHT: - FINISH: NATURAL	TITLE :- JUNCTION BOX 200 x 230 x 180	DATE 18/06/12	SIGN PAVAN	NAME CHECKED
			DATE 18/06/12	SIGN S.D.	NAME APPROVED
Raychem RPG (P) Limited		SCALE	PARTNO. -		
Ceat Mahal Annexe, Dr. Annie Besant Road, Worli, Mumbai 400030 Web : www.raychemrpg.com		REV 0	DRG. NO. AJB-200230180		

PROPERTY OF RaychemRPG (P) LTD.
 ALL RIGHTS RESERVED AND/OR PHOTOCOPYING THIS DOCUMENT
 TO A PERSON WITHOUT RaychemRPG (P)LTD, WRITTEN AUTHORIZATION IS PROHIBITED