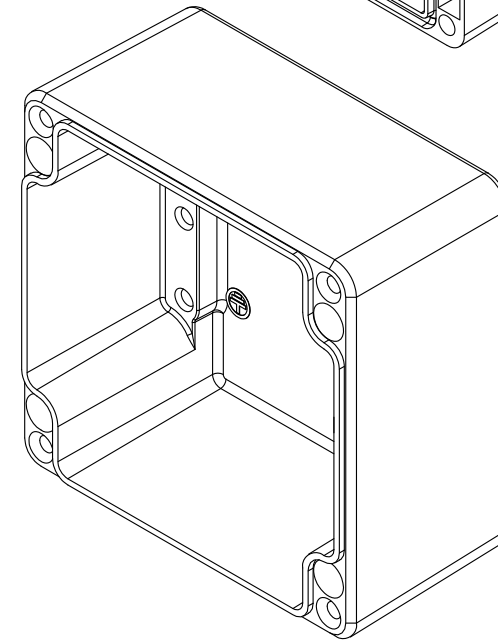
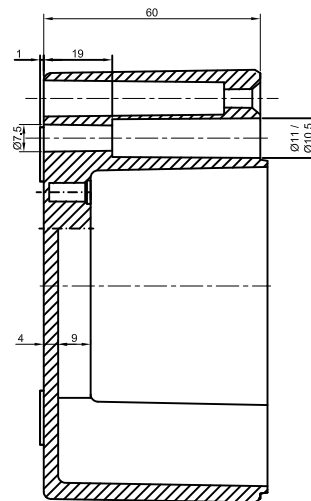
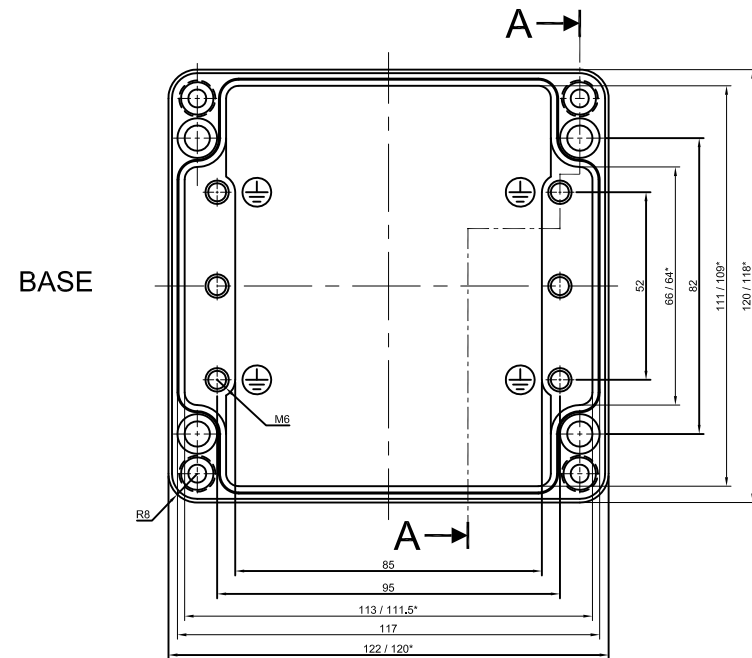
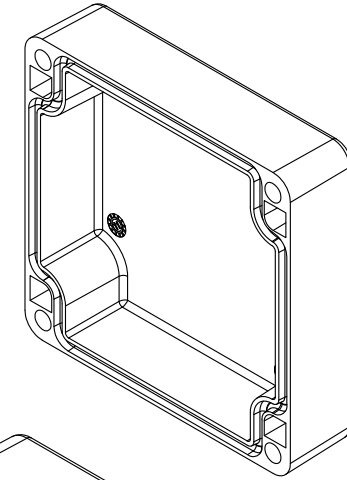
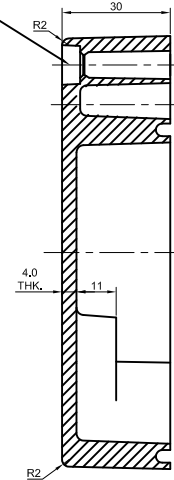
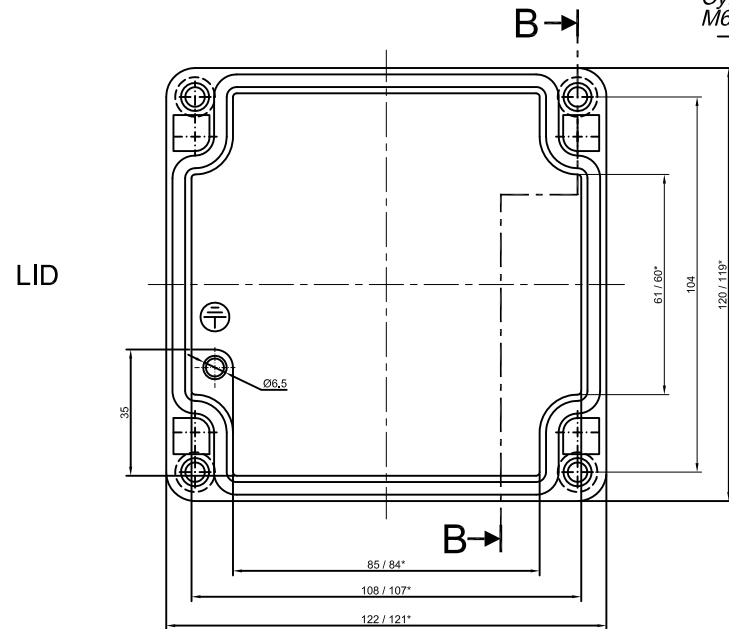


\* = Conical form tapering downward.  
 Untoleranced dimensions per GTA 13/5 DIN 1688

Cylinder Screw  
 M6 x 35/10 similar to DIN 84



PROPERTY OF RaychemRPG (P) LTD.  
 ALL RIGHTS RESERVED AND/OR PHOTOCOPYING THIS DOCUMENT  
 TO A PERSON WITHOUT RaychemRPG (P) LTD. WRITTEN AUTHORIZATION IS PROHIBITED

QUANTITY 1	MATERIAL :- <b>Alsi 12</b> <b>DIN230</b>	MACH.NAME -	DATE	SIGN	NAME	
			30/04/12		RRPL DESIGN	
TOLERANCE ±0.2 ±0.2 ±1.0°	WEIGHT: - FINISH: NATURAL	TITLE :- JUNCTION BOX 122 x 120 x 91	30/04/12		MANOJ DRAWN	
					PAVAN CHECKED	
					S.D. APPROVED	
		<b>Raychem RPG (P) Limited</b>	SCALE	PARTNO.		0
		Ceat Mahal Annexe, Dr. Annie Besant Road, Worli, Mumbai 400030 Web: www.raychemrpg.com	<b>REV</b> 0	DRG. NO.		<b>AJB-12212091</b>